

Specifications

Current rating: 3A AC,DC

Voltage rating: 250V AC,DC

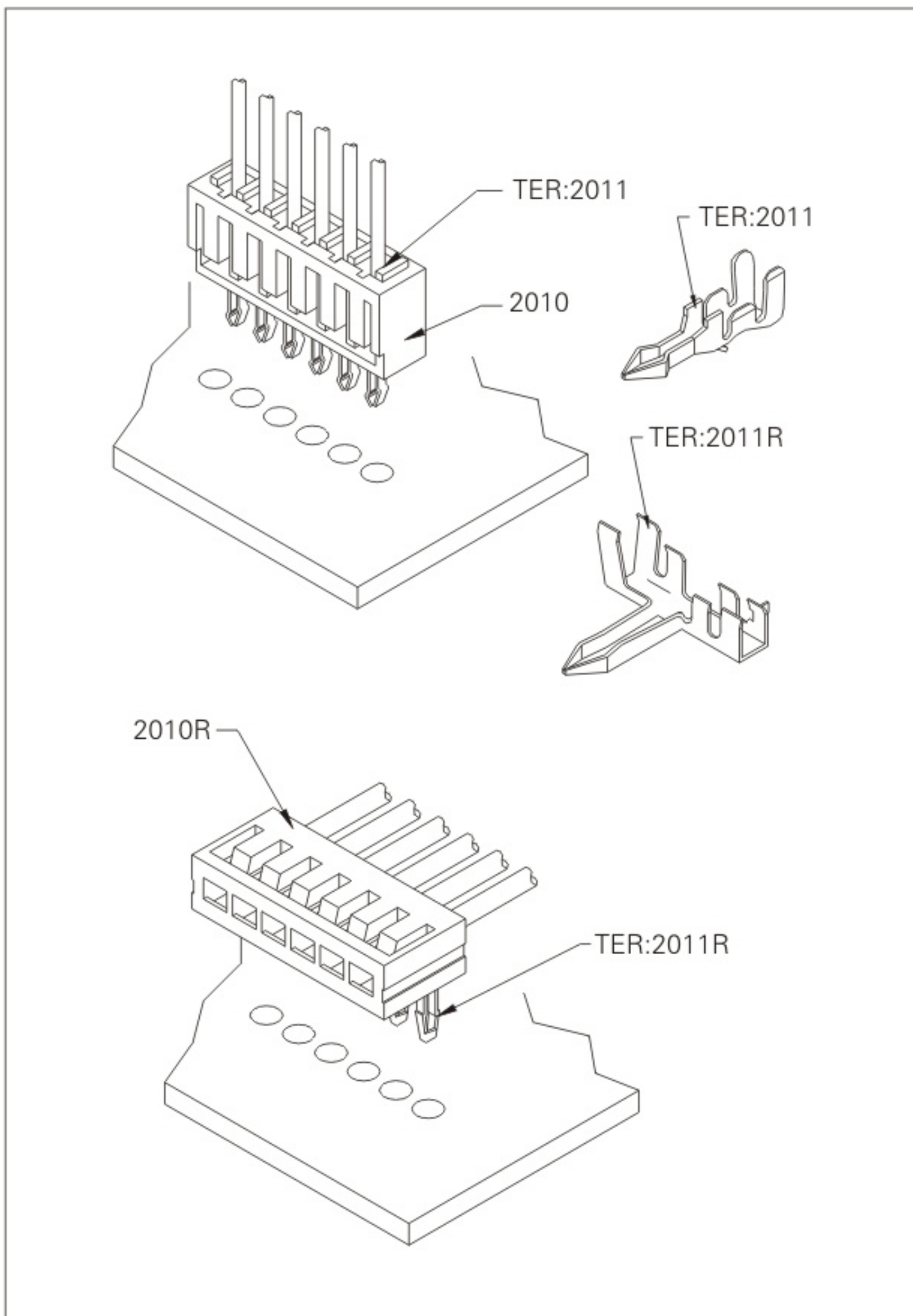
Temperature range: -25°C to +85°C
(including temperature rise)

Contact resistance: Initial value/ 10m Ω Max.
After environmental testing/20m Ω Max.

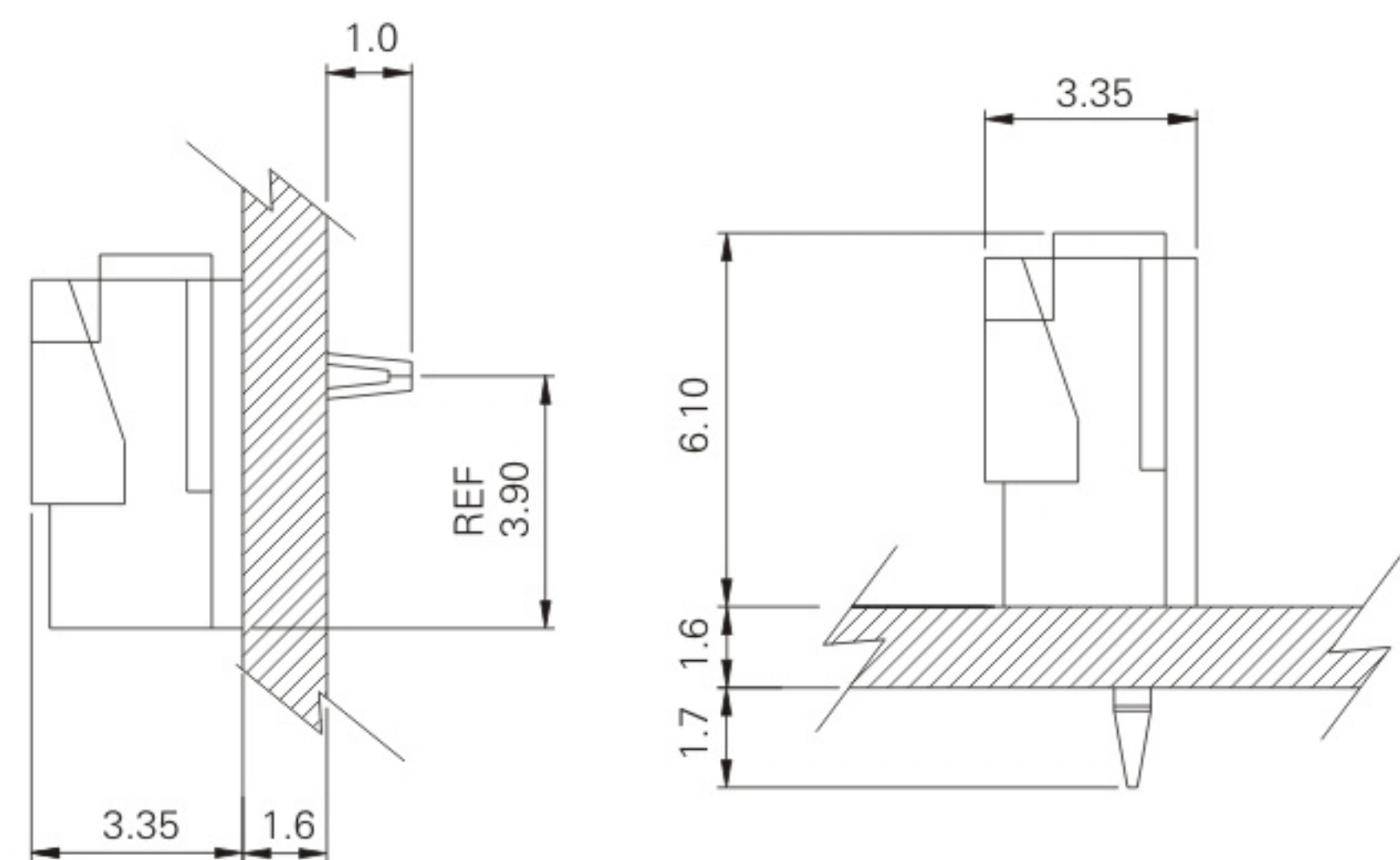
Insulation resistance: 1000M Ω Min.

Withstanding voltage: 800V AC/minute

Applicable wire: AWG#24-30



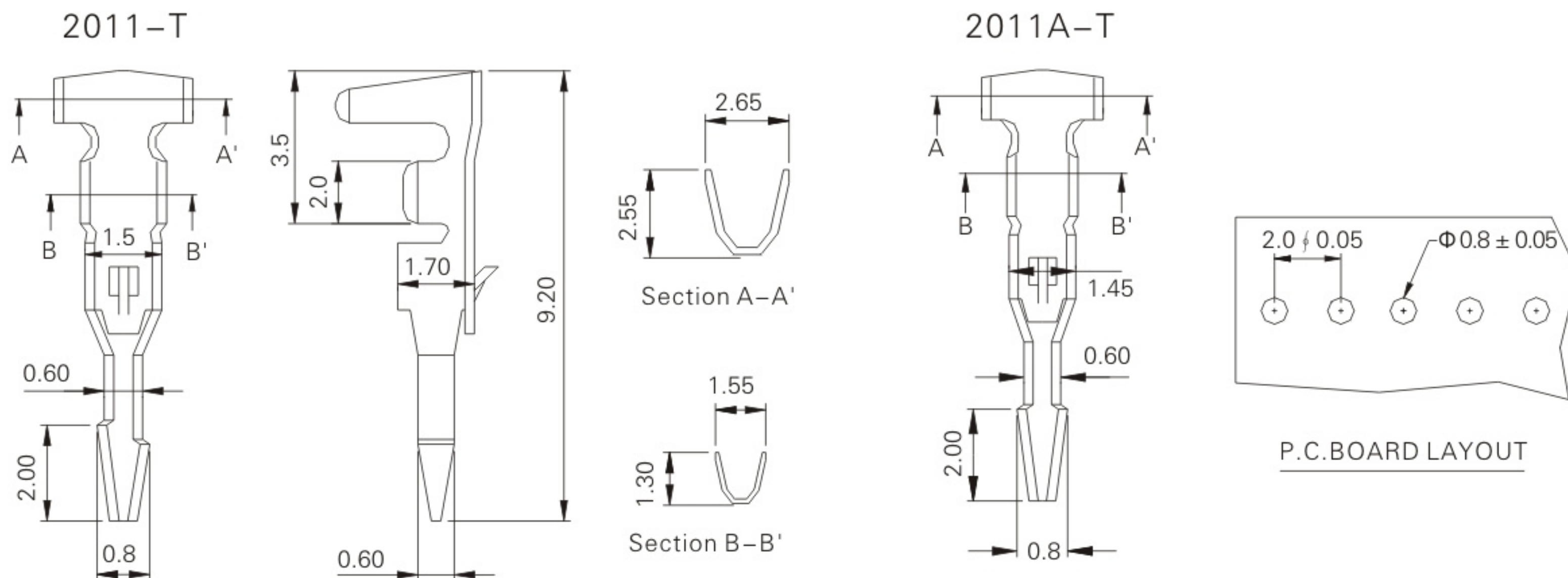
Assembly layout



2011-T 2011A-T (2.0mm pitch 180° board in terminal)

Reference Informations:

- *Thickness: 0.2mm
- *Mat'l: Brass Tin Plated
- *Mates With: 2010H series Housing
- *Terminal Solder Directly to P.C.B
- *Suitable For 1.6mm or 1.2mm Thickness P.C.B



Ordering Information & Specifications

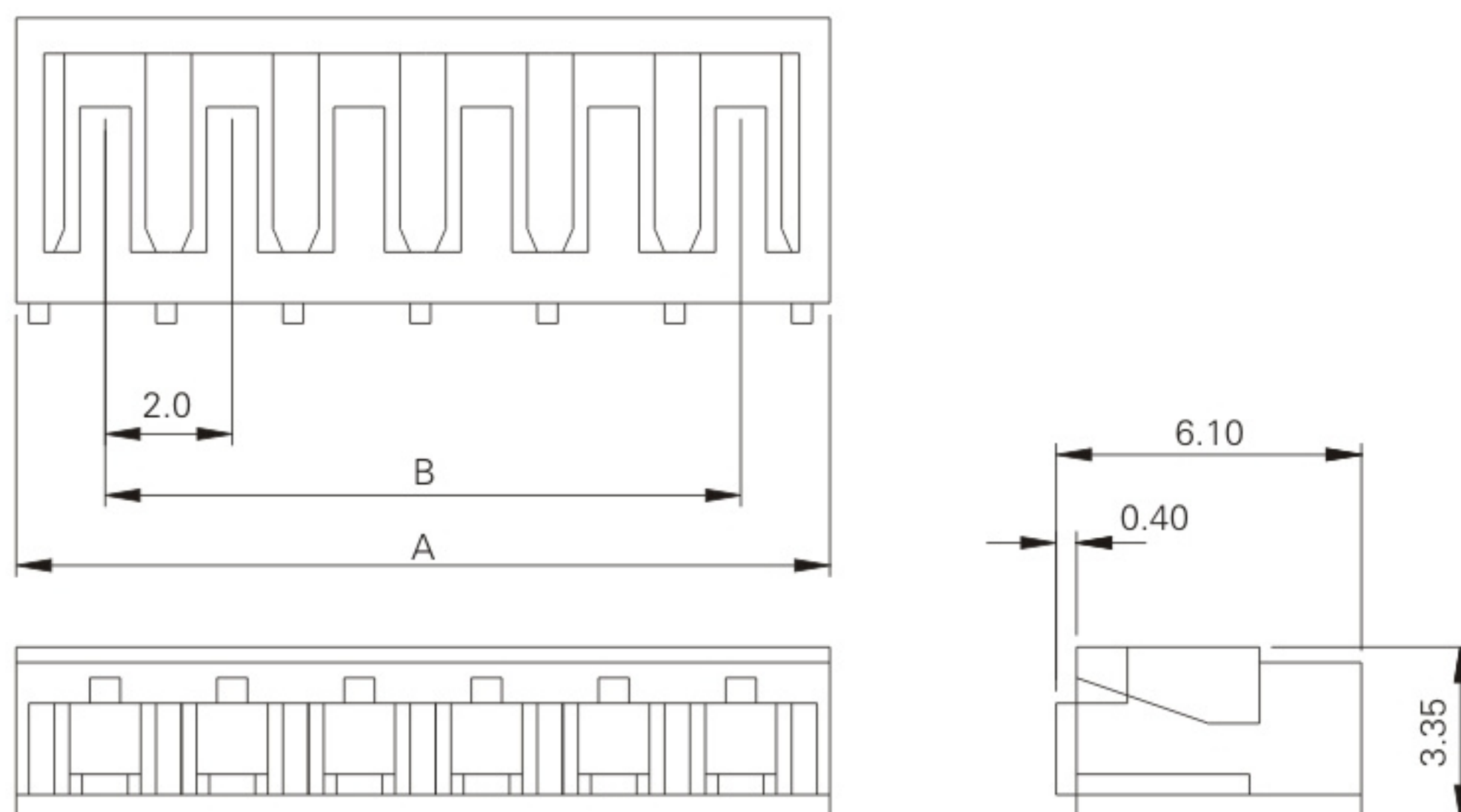
Unit: mm

Part No.	Wire Range	Insulation O.D.	Material	Finish	Qty/reel
2011	AWG#24-#30	Φ 1.4mm max	Brass	Tin-plated	10,000
2011A	AWG#24-#30	Φ 1.4mm max	Brass	Tin-plated	10,000

2010-NP (2.0mm pitch 180° board in housing)

Reference Informations:

- *Mat'l: Nylon 66 UL94V-0
- *Mates With: 2011-T series Terminal



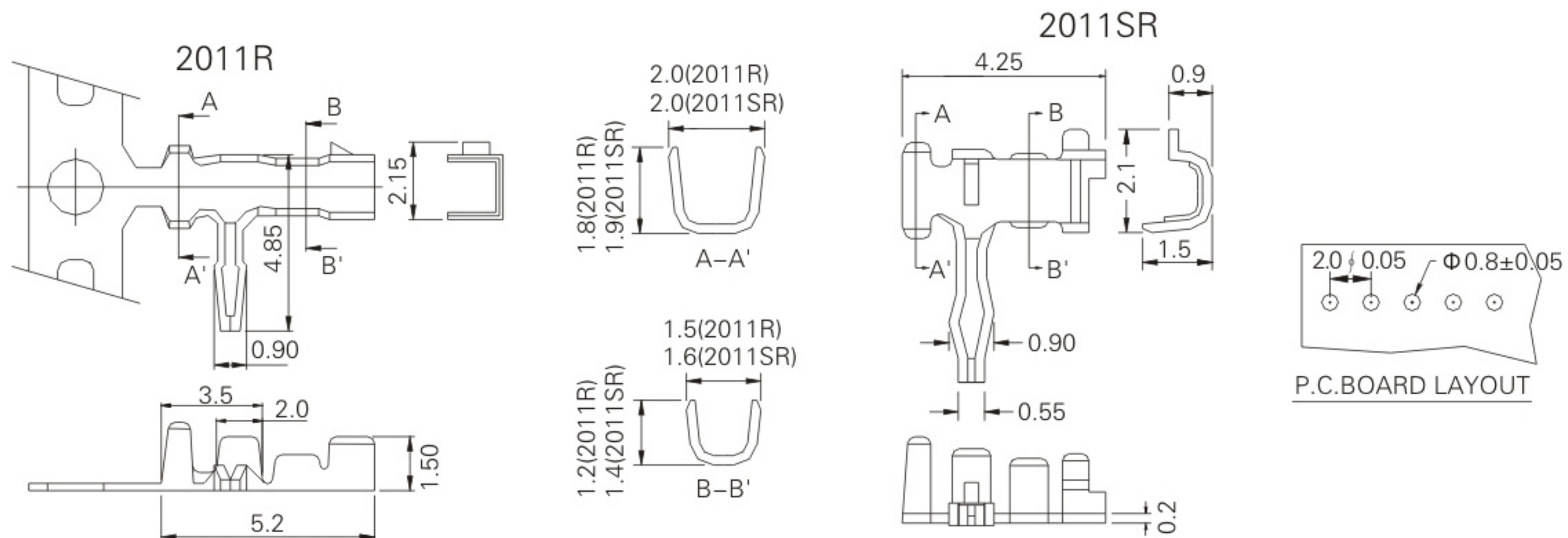
Ordering Information & Dimensions

Circuits	Part No.	DIM.(mm)	
		A	B
02	2010-02	5.2	2.0
03	2010-03	7.2	4.0
04	2010-04	9.2	6.0
05	2010-05	11.2	8.0
06	2010-06	13.2	10.0
07	2010-07	15.2	12.0
08	2010-08	17.2	14.0
09	2010-09	19.2	16.0
10	2010-10	21.2	18.0
11	2010-11	23.2	20.0
12	2010-12	25.2	22.0
13	2010-13	27.2	24.0
14	2010-14	29.2	26.0
15	2010-15	31.2	28.0
16	2010-16	33.2	30.0
17	2010-17	35.2	32.0
18	2010-18	37.2	34.0
19	2010-19	39.2	36.0
20	2010-20	41.2	38.0

2011R 2011SR-T (2.0mm pitch 90° board in terminal)

Reference Informations:

- *Thickness: 0.2mm
- *Mat'l: Brass Tin Plated
- *Mates With: 2010R series Housing
- *Terminal Solder Directly to P.C.B
- *Suitable For 1.6mm or 1.2mm Thickness P.C.B



Ordering Information & Specifications

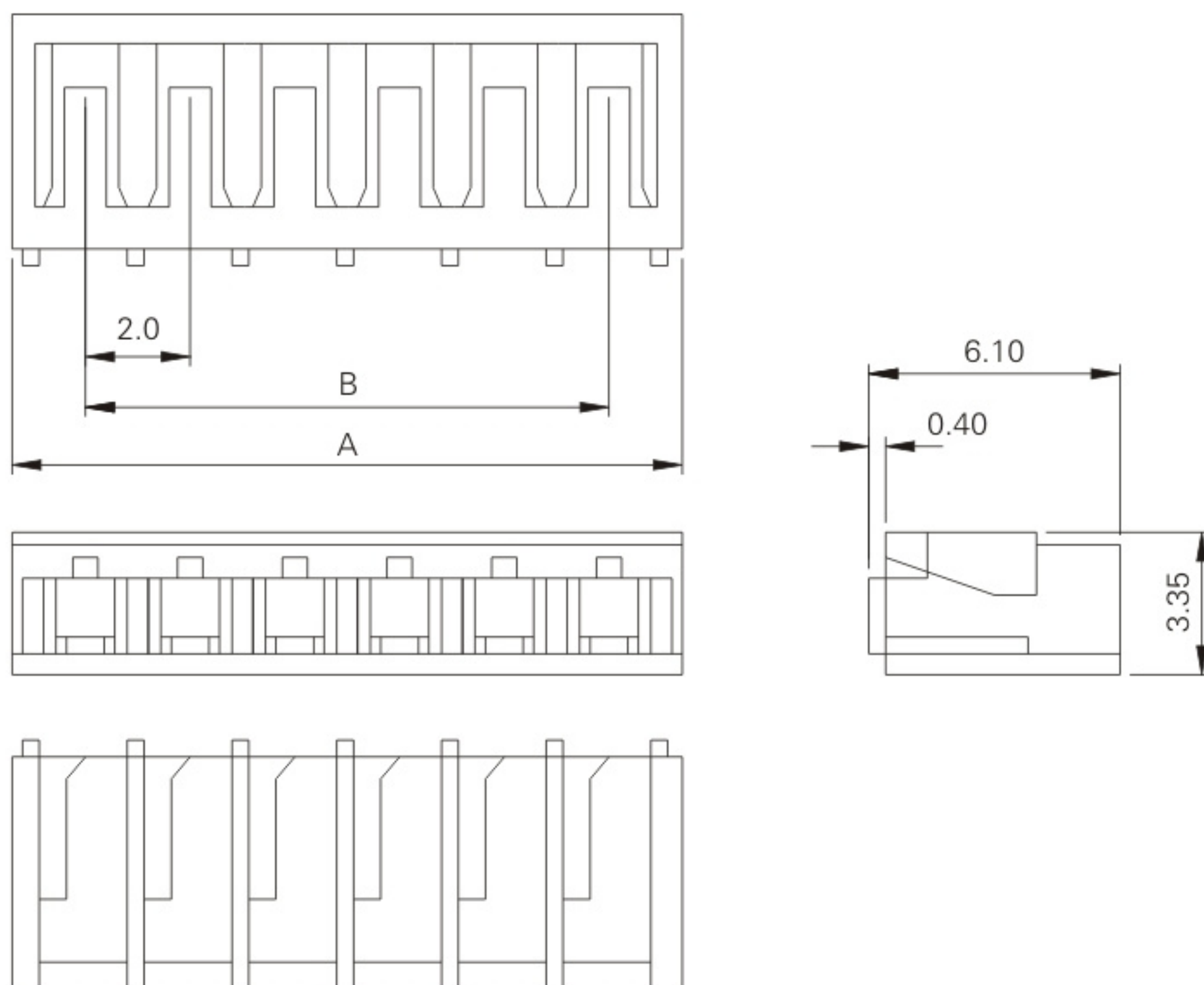
Unit: mm

Part No.	Wire Range	Insulation O.D.	Material	Finish	Qty/reel
2011R	AWG#24-#30	Φ 1.4mm max	Brass	Tin-plated	10,000
2011SR	AWG#24-#30	Φ 1.4mm max	Brass	Tin-plated	10,000

2010R-NP (2.0mm pitch 90° board in housing)

Reference Informations:

- *Mat'l: Nylon 66 UL94V-2
- *Mates With: 2011R-T series Terminal



Ordering Information & Dimensions

Circuits	Part No.	DIM.(mm)	
		A	B
02	2010R-02	5.2	2.0
03	2010R-03	7.2	4.0
04	2010R-04	9.2	6.0
05	2010R-05	11.2	8.0
06	2010R-06	13.2	10.0
07	2010R-07	15.2	12.0
08	2010R-08	17.2	14.0
09	2010R-09	19.2	16.0
10	2010R-10	21.2	18.0
11	2010R-11	23.2	20.0
12	2010R-12	25.2	22.0
13	2010R-13	27.2	24.0
14	2010R-14	29.2	26.0
15	2010R-15	31.2	28.0
16	2010R-16	33.2	30.0
17	2010R-17	35.2	32.0
18	2010R-18	37.2	34.0
19	2010R-19	39.2	36.0
20	2010R-20	41.2	38.0