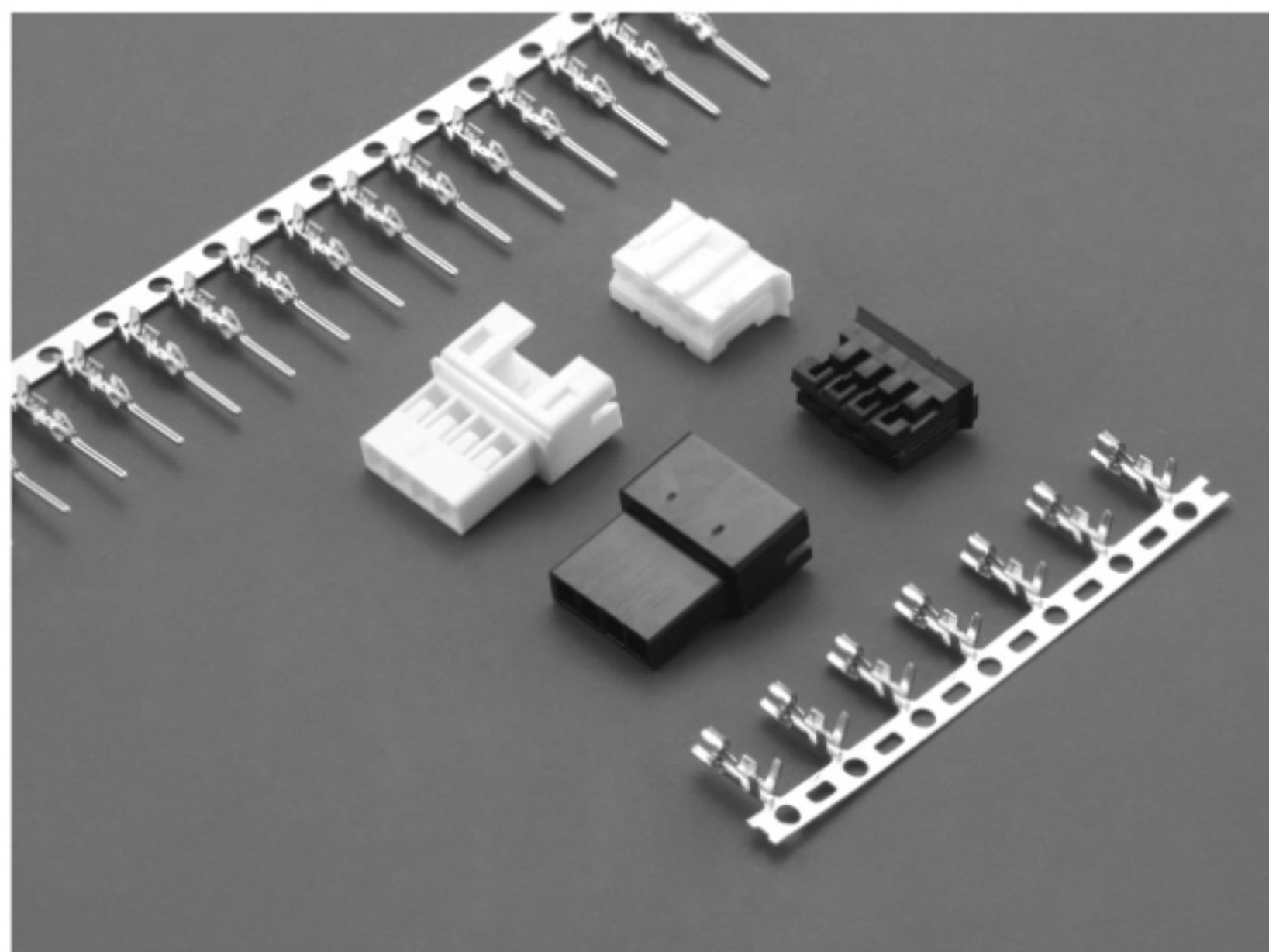


2020CH SERIES

2.00mm PITCH WIRE TO BOARD CONNECTOR



Specifications

Current rating: 2A AC,DC

Voltage rating: 250V AC,DC

Temperature range: -25°C~+85°C
(including temperature rise)

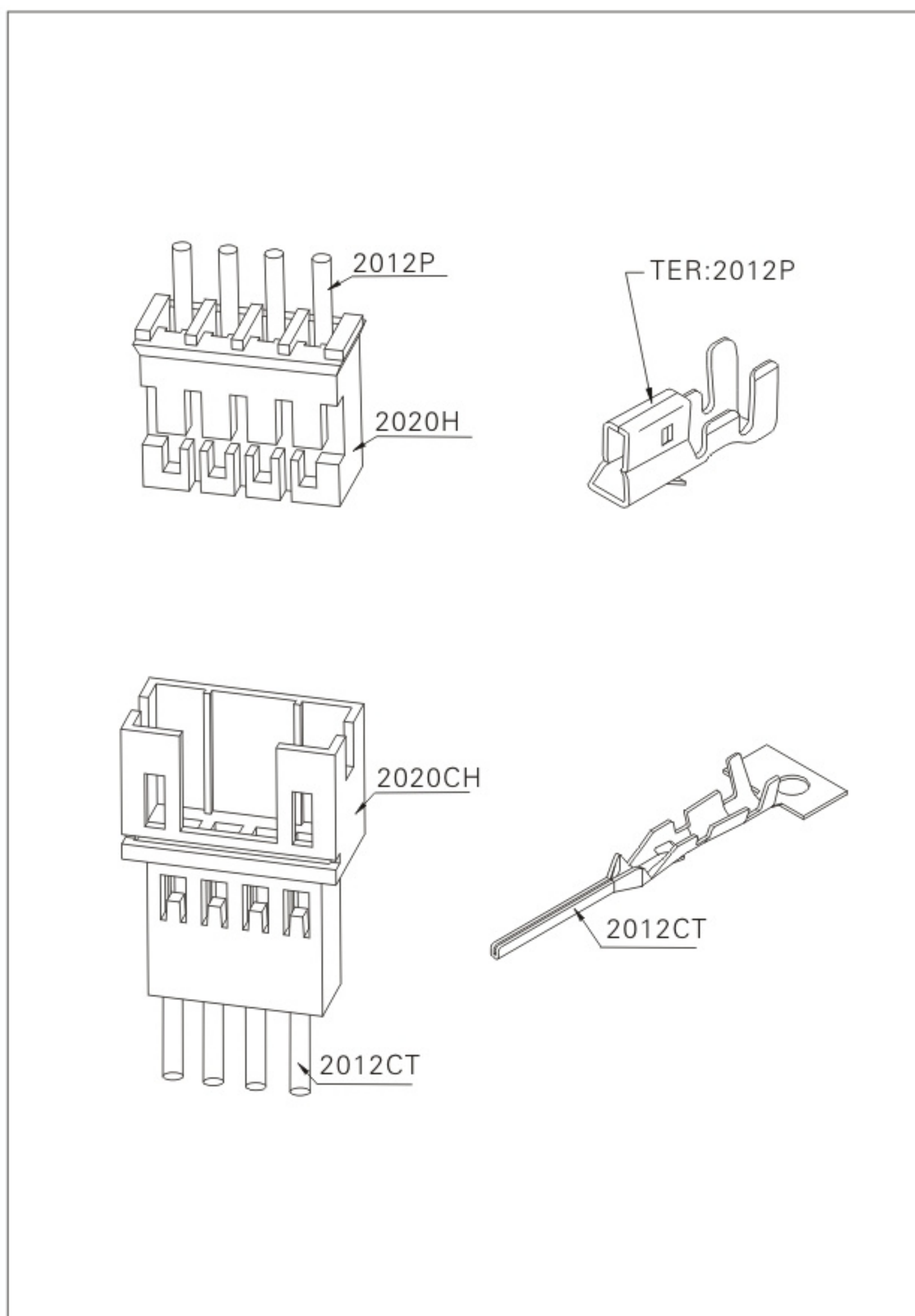
Contact resistance: 10mΩ Max.

Insulation resistance: 1000mΩ Min.

Withstanding voltage: 1000V AC/minute

Applicable wire: AWG#26-#28

Assembly layout

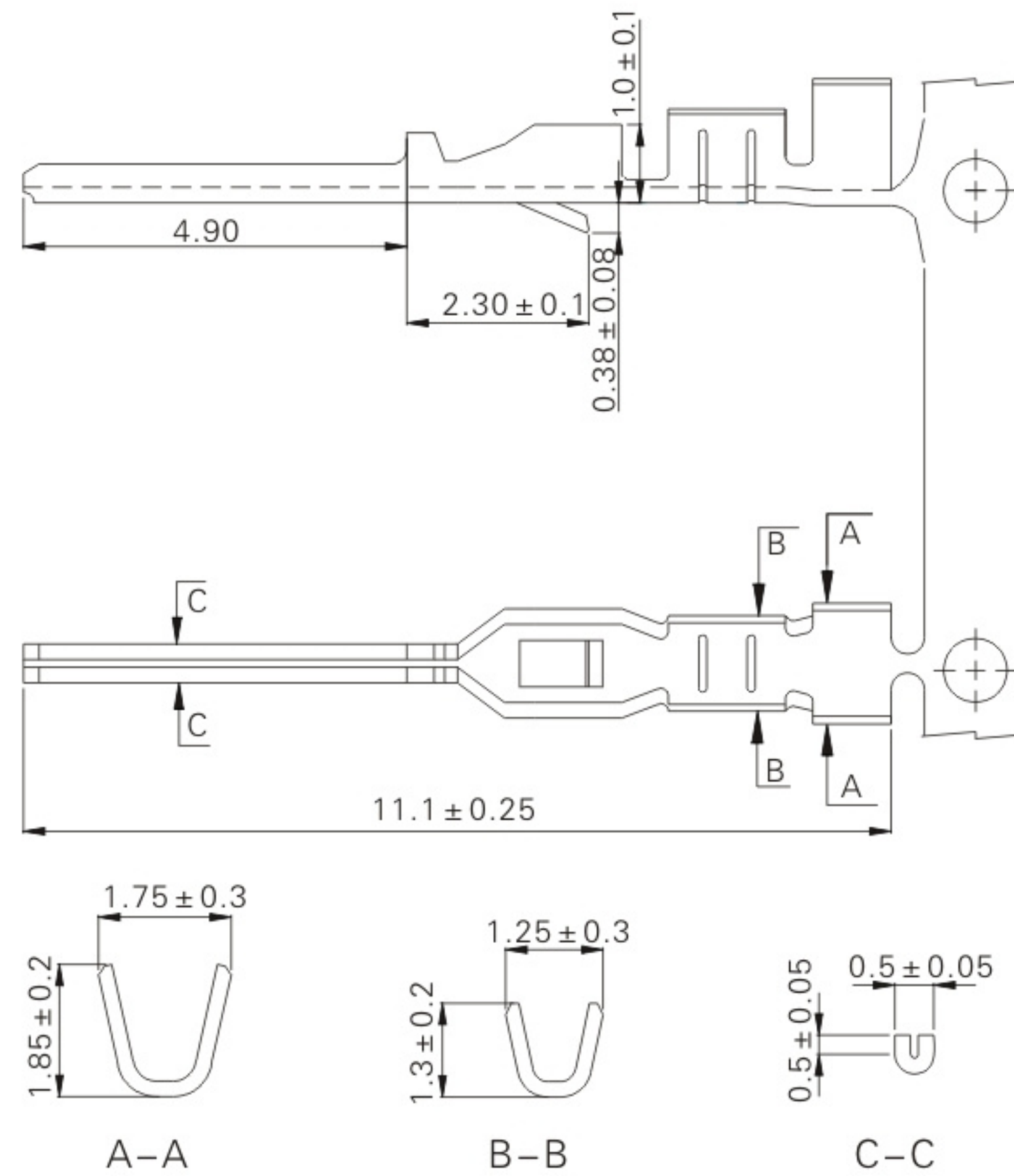


2012CT SERIES

2.00mm PITCH WIRE TO BOARD CONNECTOR

Reference Informations:

Mat'l: phosphor bronze or brass
 Treatment: tin plated
 Thickness: 0.2mm
 Mates: 2020CH Series housing
 Ins. o. d. : 1.3mm-1.2mm
 Wire range: awg#26-28
 Current rating: 2A AC, DC
 Voltage rating: 250V AC, DC



Ordering Information & Specifications

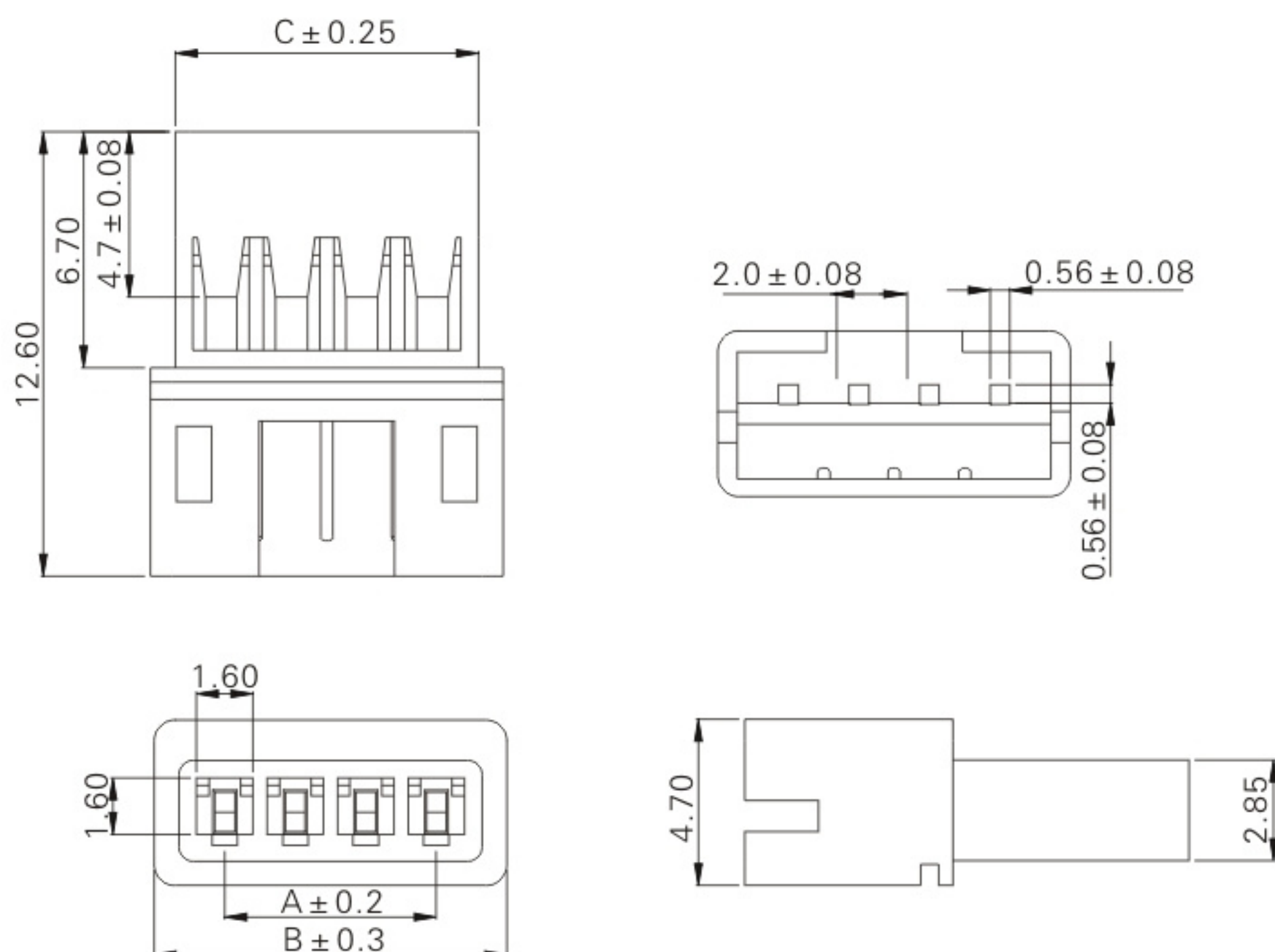
Unit: mm

Part No.	Wire Range	Insulation O.D.	Material	Finish	Qty/reel
2012CT	AWG#26-28	1.5mm(max)	Phosphor Bronze	Tin-plated	10,000pcs

2020CH (2.00mm pitch crimp housing)

Reference Informations:

- *Nylon 66, UL 94V-0
- *Mates with 2012-T Crimp Terminal
- *Current Raing: 2A AC, DC
- *Voltage rating : 250V AC, DC



Ordering Information & Dimensions

Part No.	DIM.(mm)		
	A	B	C
2020CH-02	2.0	6.0	46.0
2020CH-03	4.0	8.0	6.60
2020CH-04	6.0	10.0	8.60
2020CH-05	8.0	12.0	10.60
2020CH-06	10.0	14.0	12.60