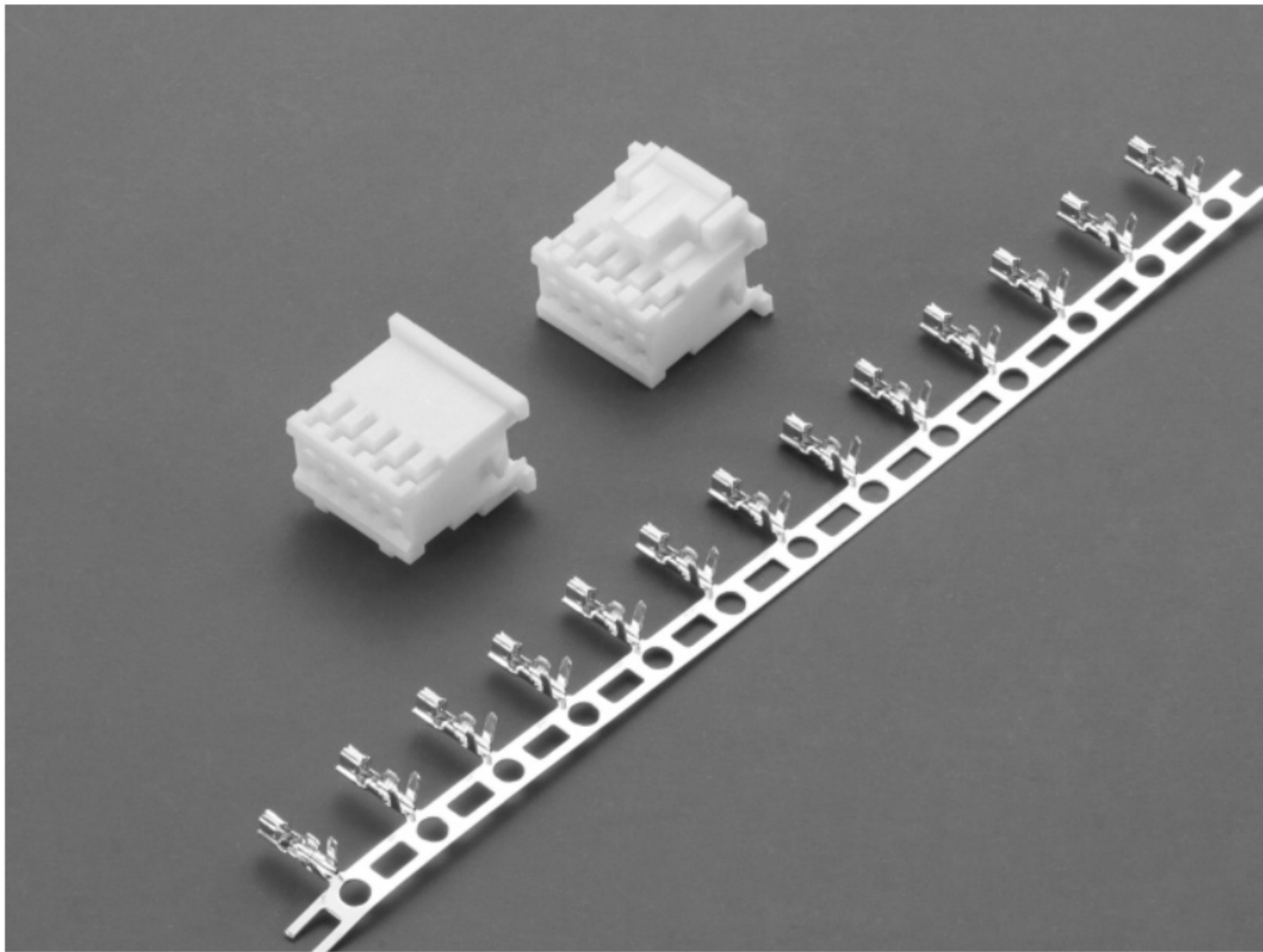


# 2080H SERIES

2.00mm PITCH WIRE TO BOARD CONNECTOR



## Specifications

Current Rating: 3A AC,DC

Voltage Rating: 250V AC,DC

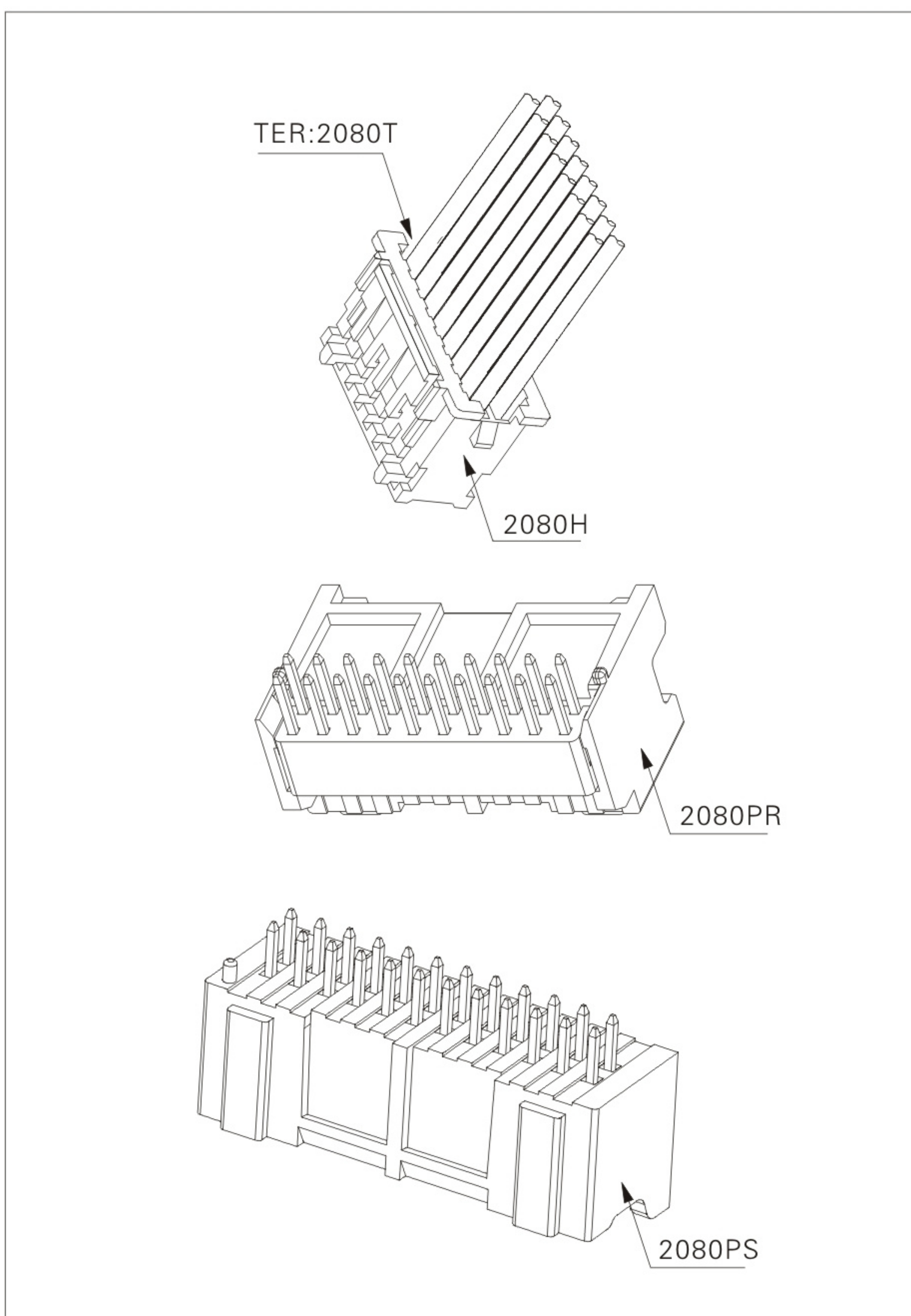
Temperature Range: -25°C~+85°C

Contact Resistance: 20m $\Omega$  Max.

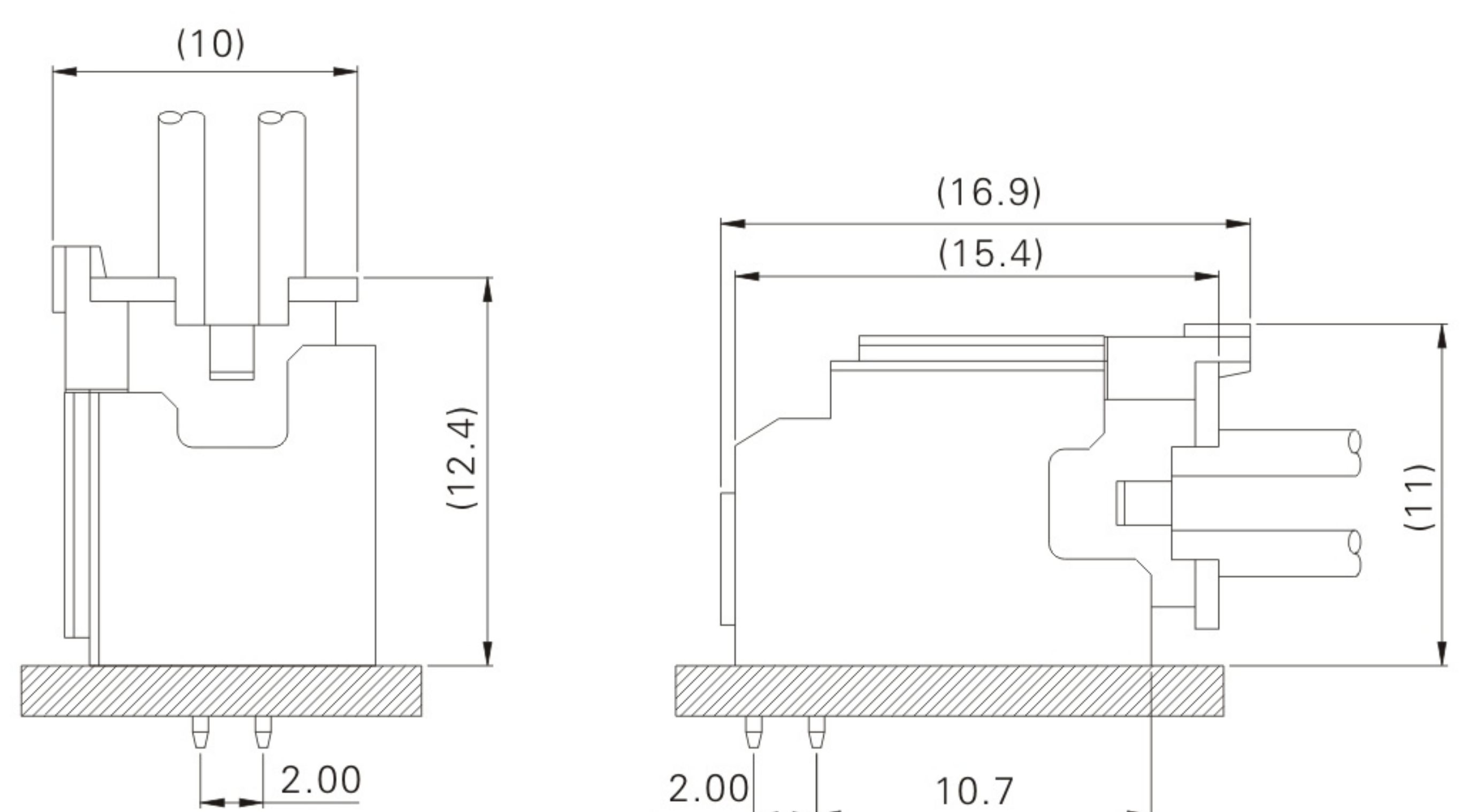
Insulation Resistance: 1000M $\Omega$  Min.

Withstanding Voltage: 800V AC/minute

Applicable wire: AWG#22-#28



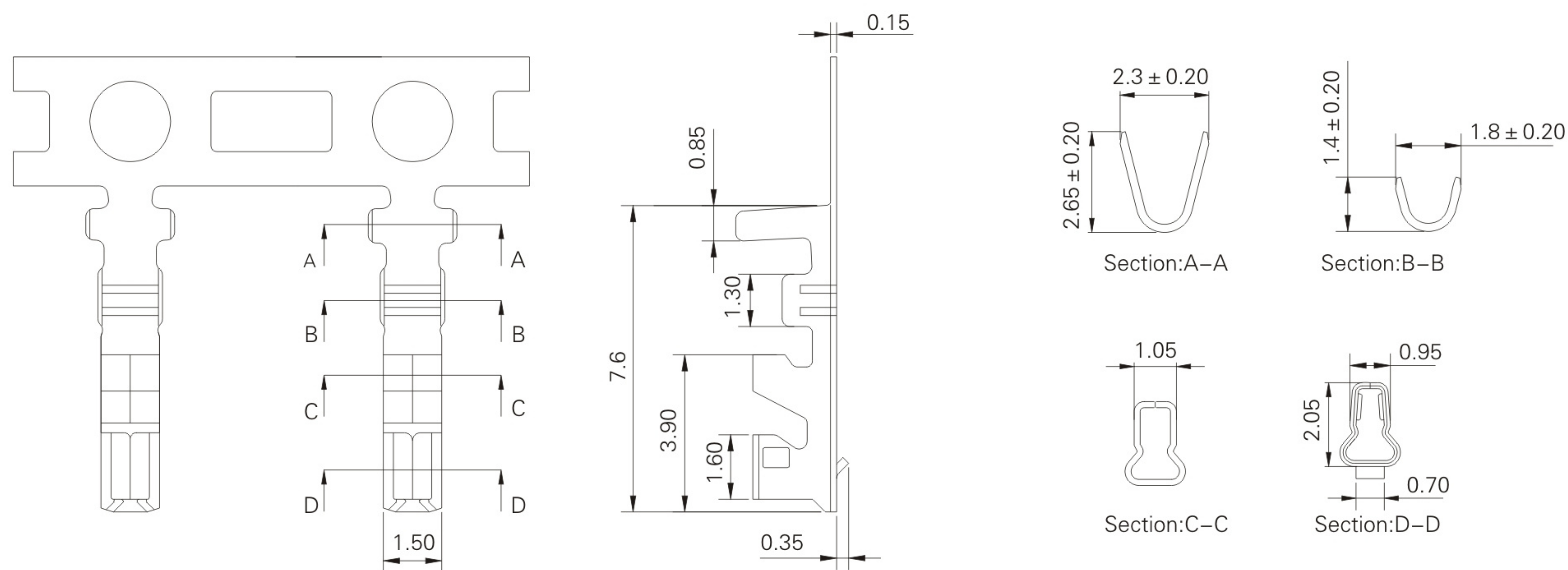
## Assembly layout





# 2080H (2.00mm pitch crimp terminal)

## Reference Informations:



## Ordering Information & Specifications

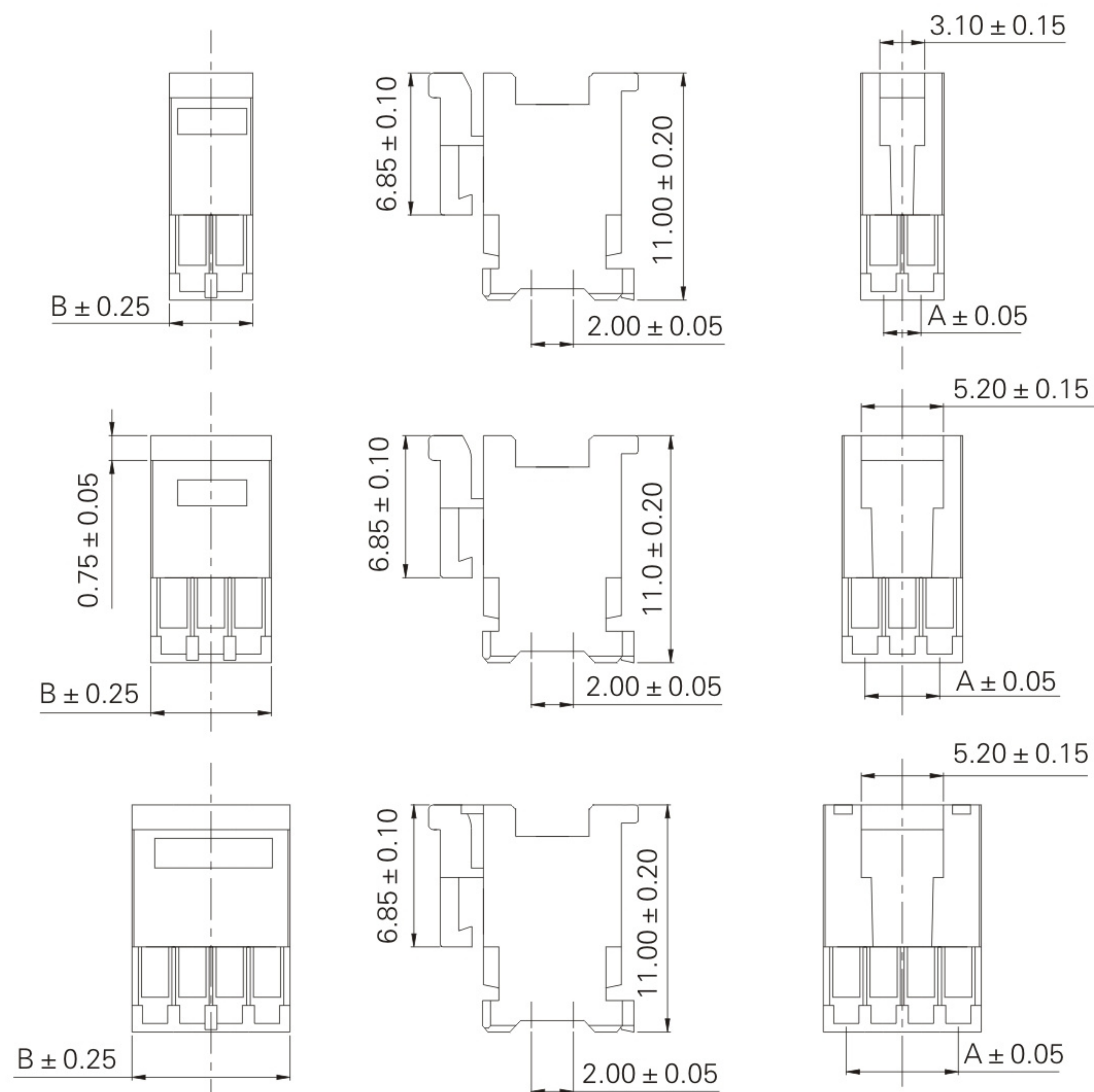
Unit: mm

Part No.	Wire Range	Insulation O.D.	Material	Finish	Qty/reel
2080P	AWG#22#28	1.54mm(max)	Phosphor Bronze	Tin-plated	10,000pcs

# 2080H-2XNP(4-8P) (2.00mm pitch dual housing with lock)

## Reference Informations:

\*Material: PA66 UL94V-0



## Ordering Information & Dimensions

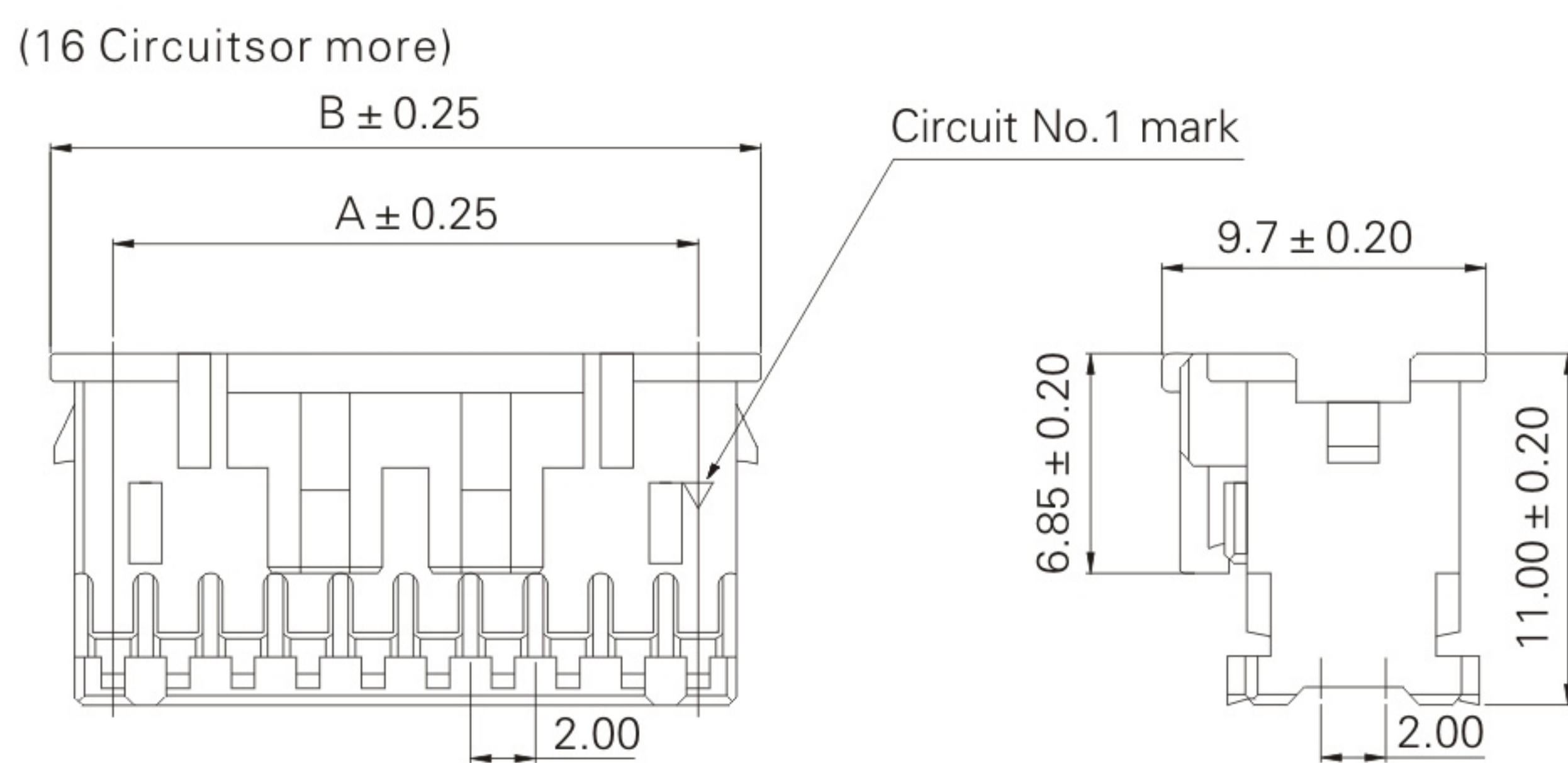
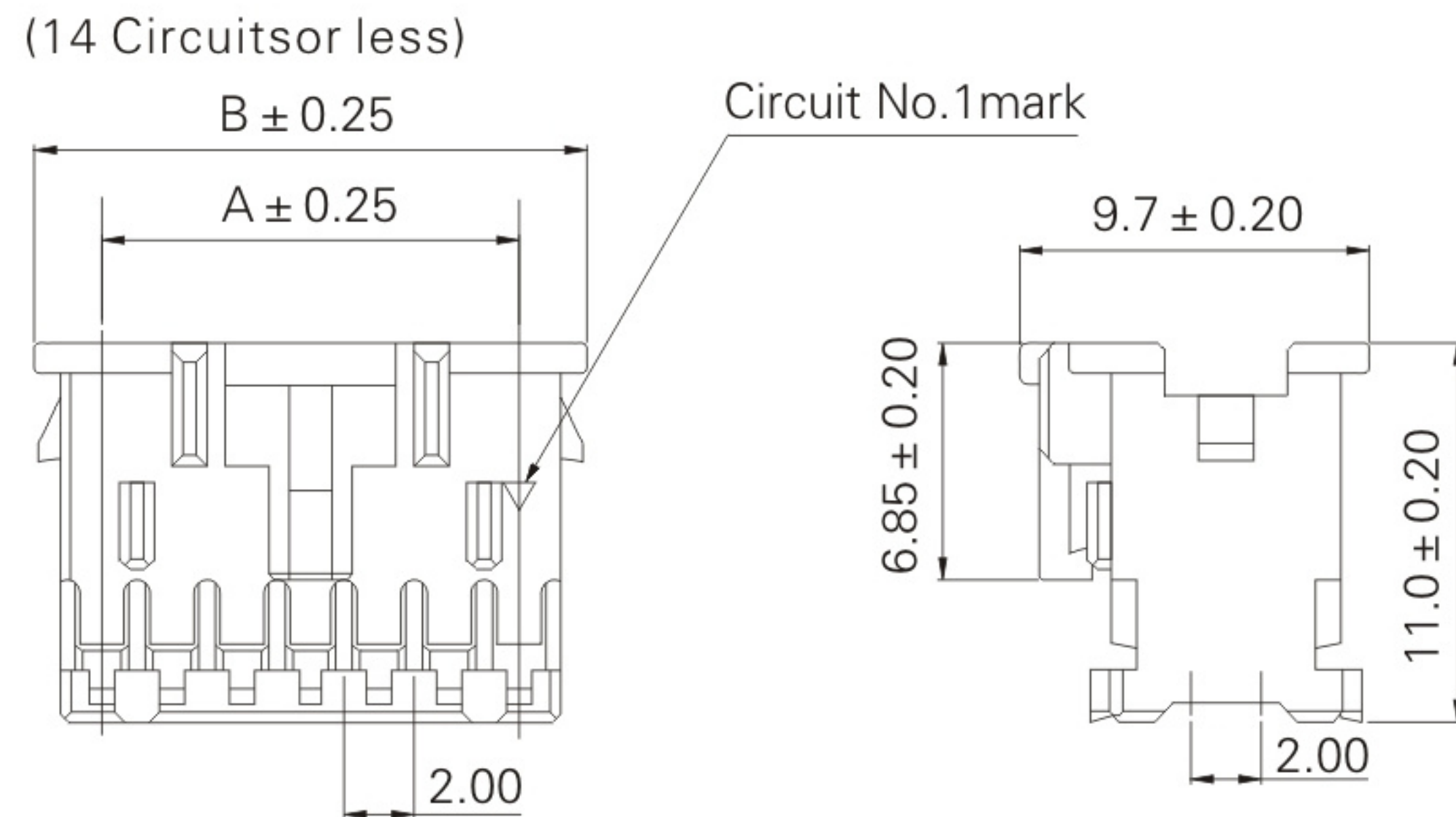
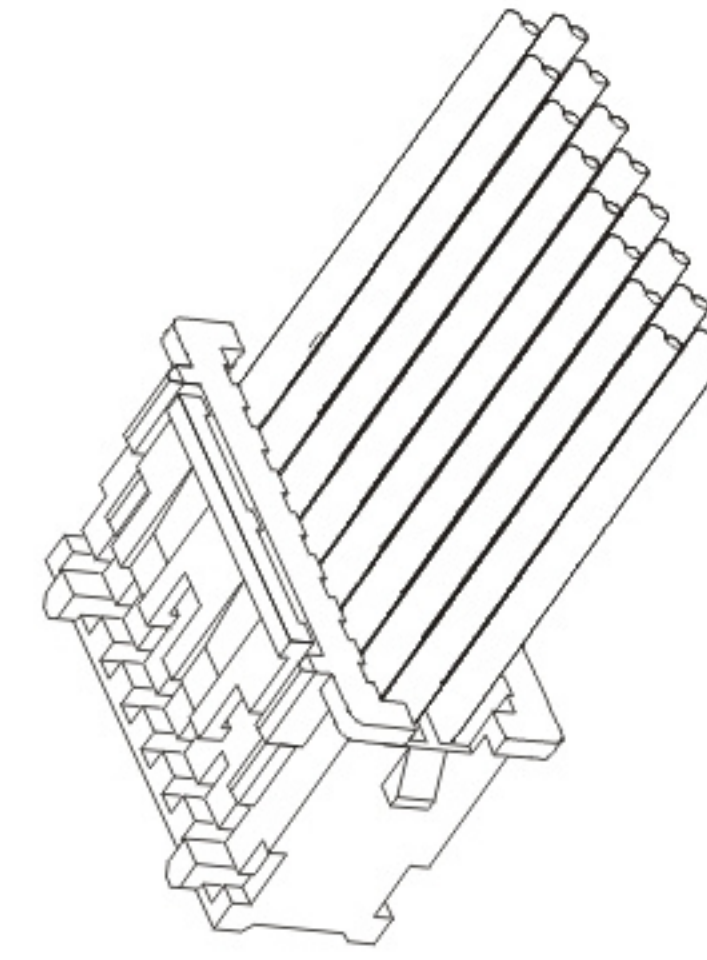
Circuits	Part No.	DIM.(mm)	
		A	B
04	2080H-2x02P	2.00	5.00
06	2080H-2x03P	4.00	7.00
08	2080H-2x04P	6.00	9.00



# 2080H-2XNP(10-32P) (2.00mm pitch 90° dual row housing with lock)

## Reference Informations:

\*Material:PA66 94V-0



## Ordering Information & Dimensions

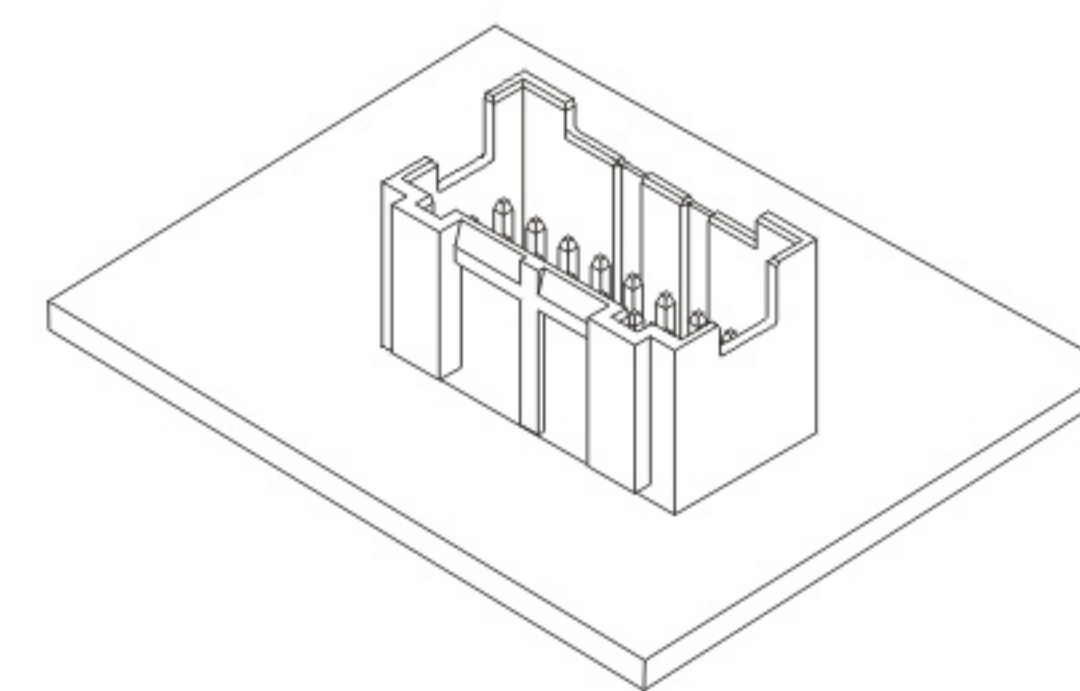
Circuits	Part No.	DIM.(mm)	
		A	B
10	2080H-2X05P	8.00	12.0
12	2080H-2X06P	10.00	14.0
14	2080H-2X07P	12.00	16.0
16	2080H-2X08P	14.00	18.0
18	2080H-2X09P	16.00	20.0
20	2080H-2X10P	18.00	22.0
22	2080H-2X11P	20.00	24.0
24	2080H-2X12P	22.00	26.0
26	2080H-2X13P	24.00	28.0
28	2080H-2X14P	26.00	30.0
30	2080H-2X15P	28.00	32.0
32	2080H-2X16P	30.00	34.0

# 2080PS-2XNP (2.00mm pitch dual wafer with lock)

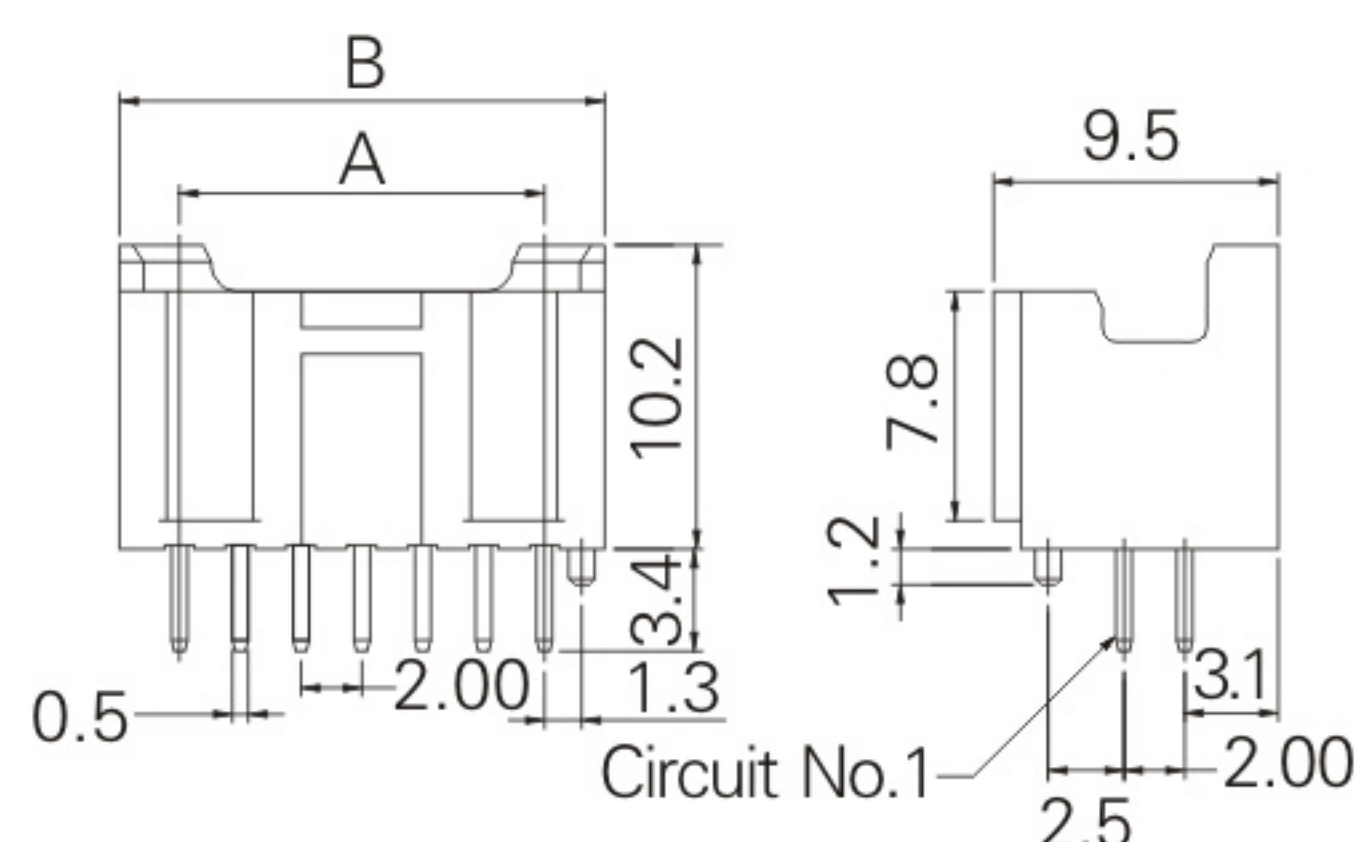
## Reference Informations:

\*Material: Base, Glass-filled PBT UL 94V-0, White  
Pin, Brass Tin-plated

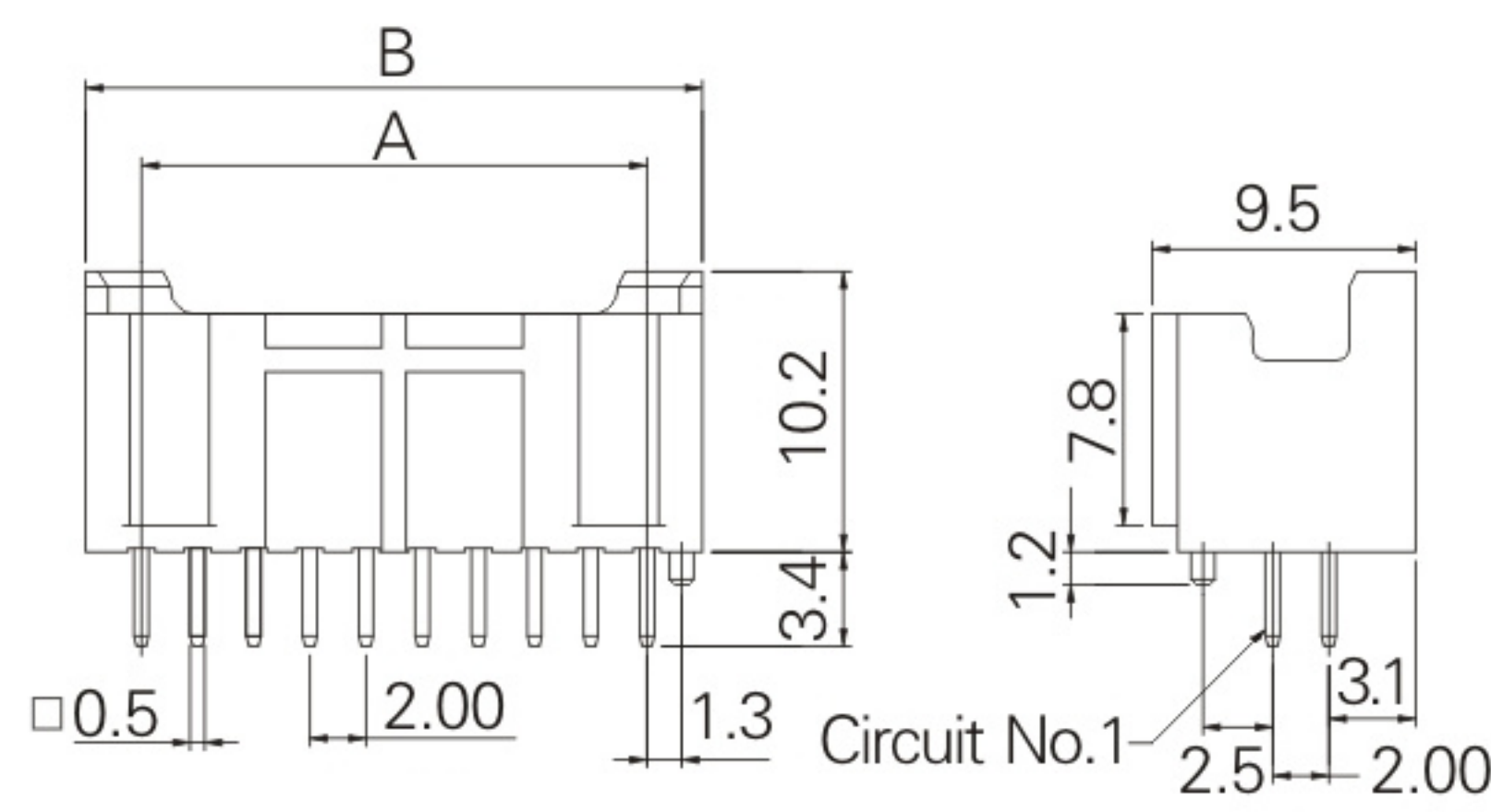
\*Q'ty: 500-1000PCS/bag



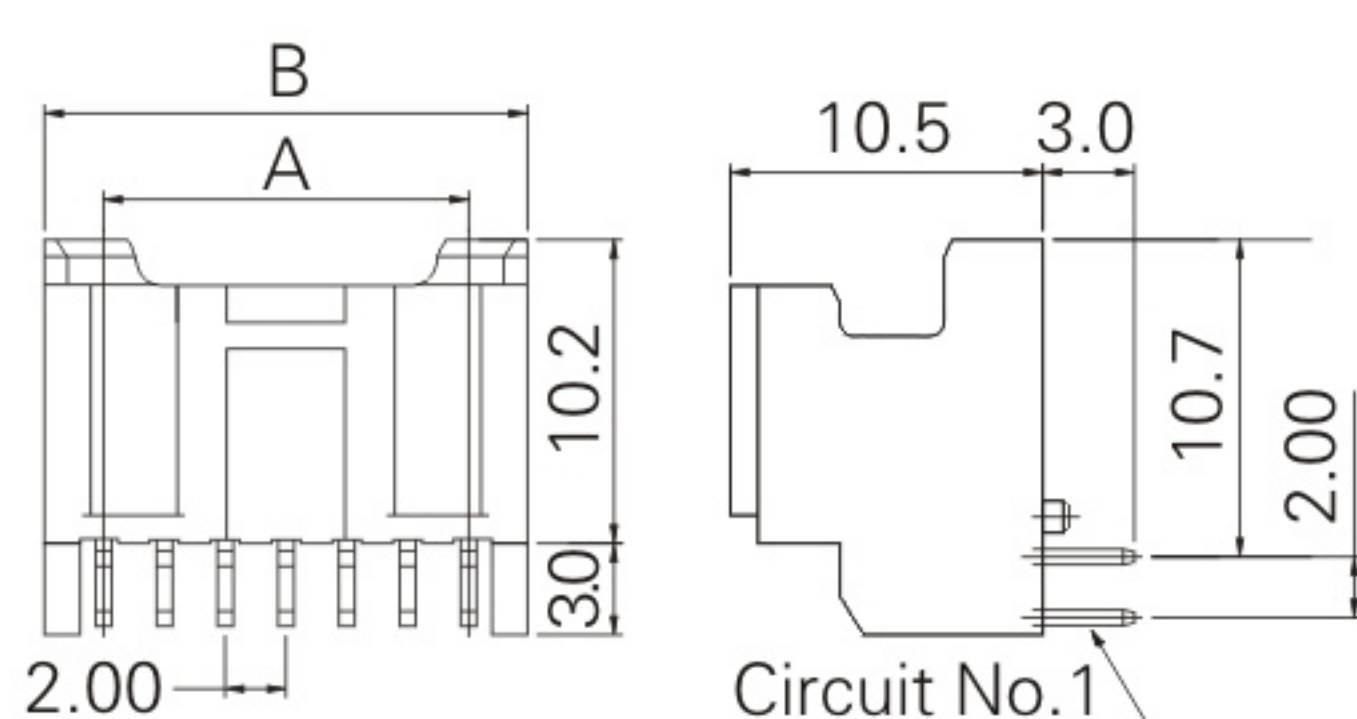
Top entry  
type(14 circuits or less)



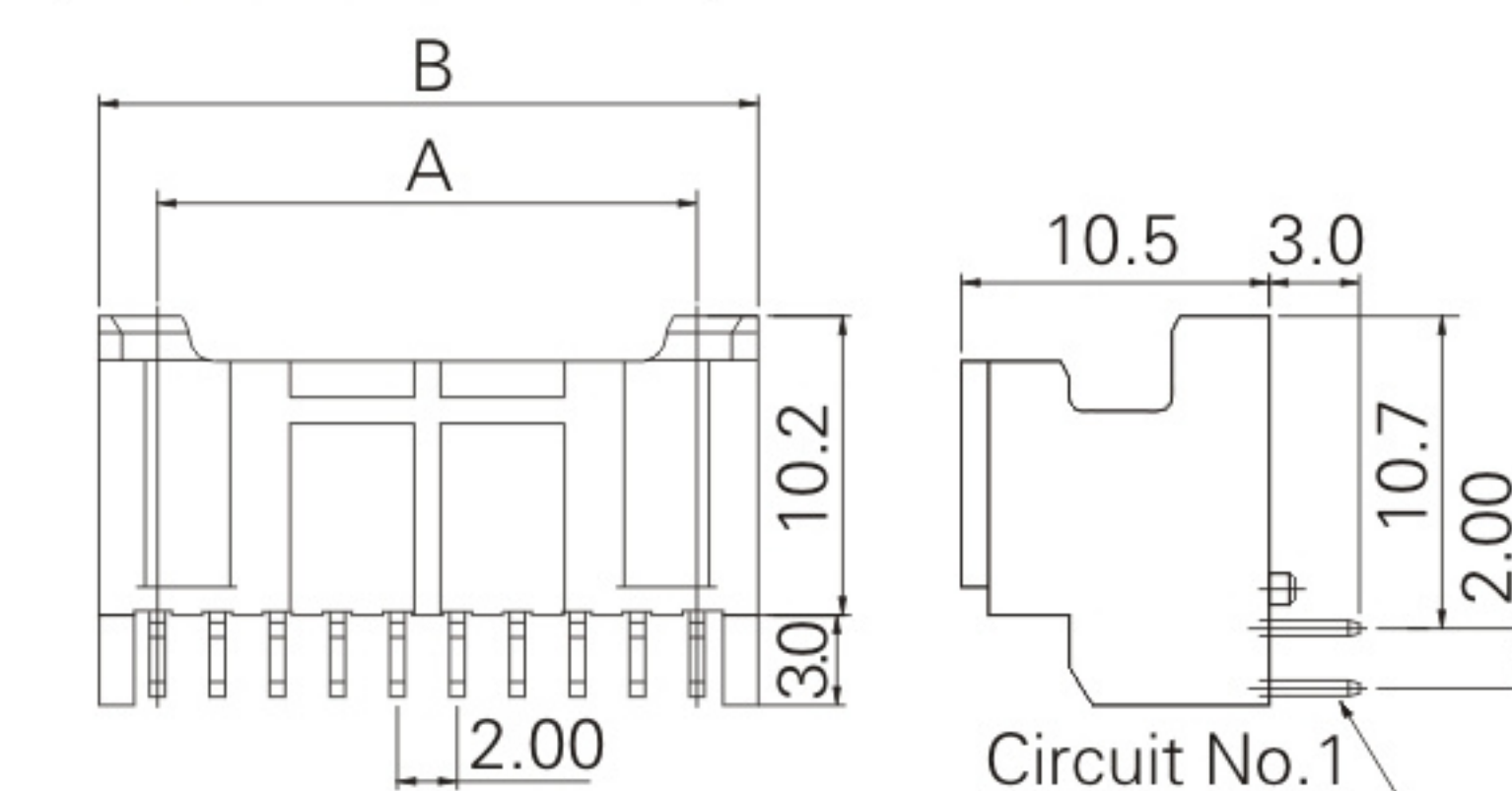
(16 circuits or more)



Side entry  
type(14 circuits or less)



(16 circuits or more)



## Ordering Information & Dimensions

Circuits	Part No.	DIM.(mm)	
		A	B
04	2080PS-2X02P	2.0	6.0
06	2080PS-2X03P	4.0	8.0
08	2080PS-2X04P	6.0	10.0
10	2080PS-2X05P	8.0	12.0
12	2080PS-2X06P	10.0	14.0
14	2080PS-2X07P	12.0	16.0
16	2080PS-2X08P	14.0	18.0
18	2080PS-2X09P	16.0	20.0
20	2080PS-2X10P	18.0	22.0
22	2080PS-2X11P	20.0	24.0
24	2080PS-2X12P	22.0	26.0
26	2080PS-2X13P	24.0	28.0
28	2080PS-2X14P	26.0	30.0
30	2080PS-2X15P	28.0	32.0
32	2080PS-2X16P	30.0	34.0

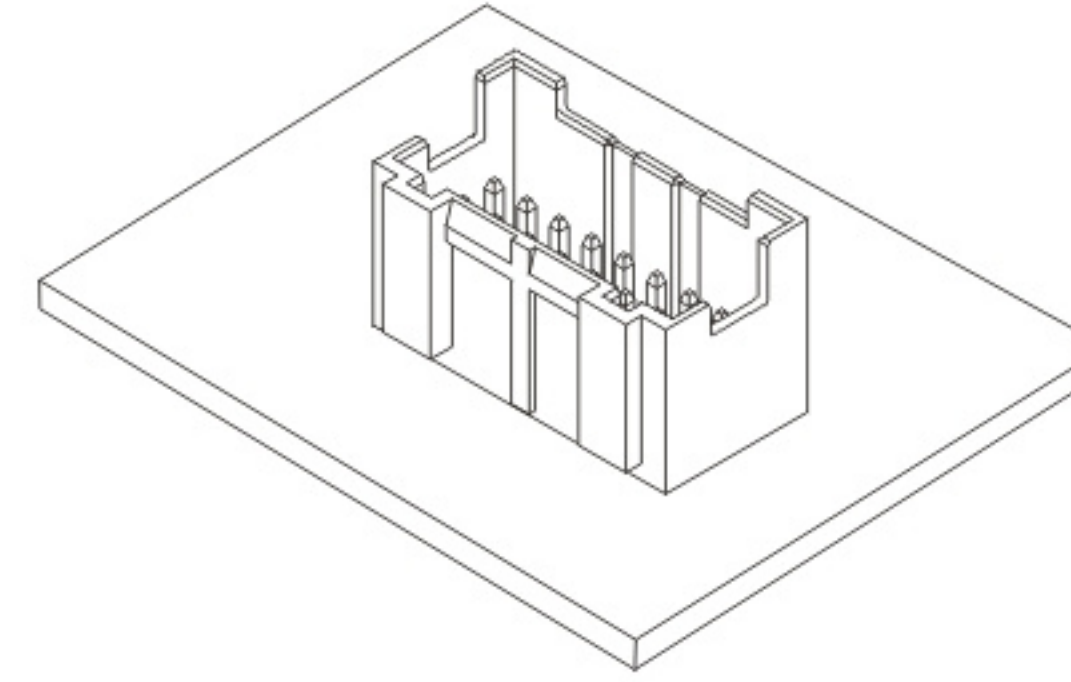


# 2080PR-2XNP (2.00mm pitch dual wafer with lock)

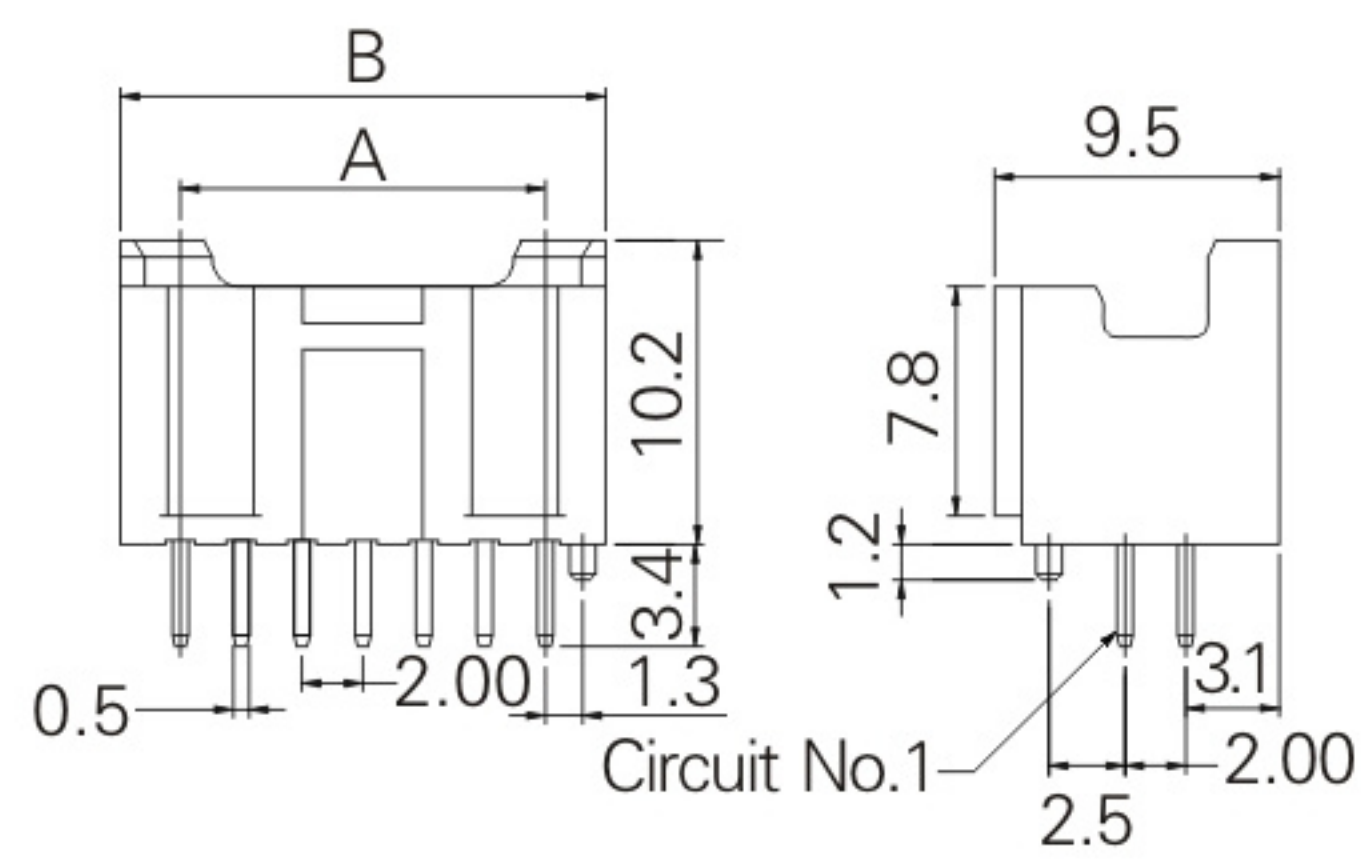
## Reference Informations:

\*Material: Base, Glass-filled PBT UL 94V-0, White  
Pin, Brass Tin-plated

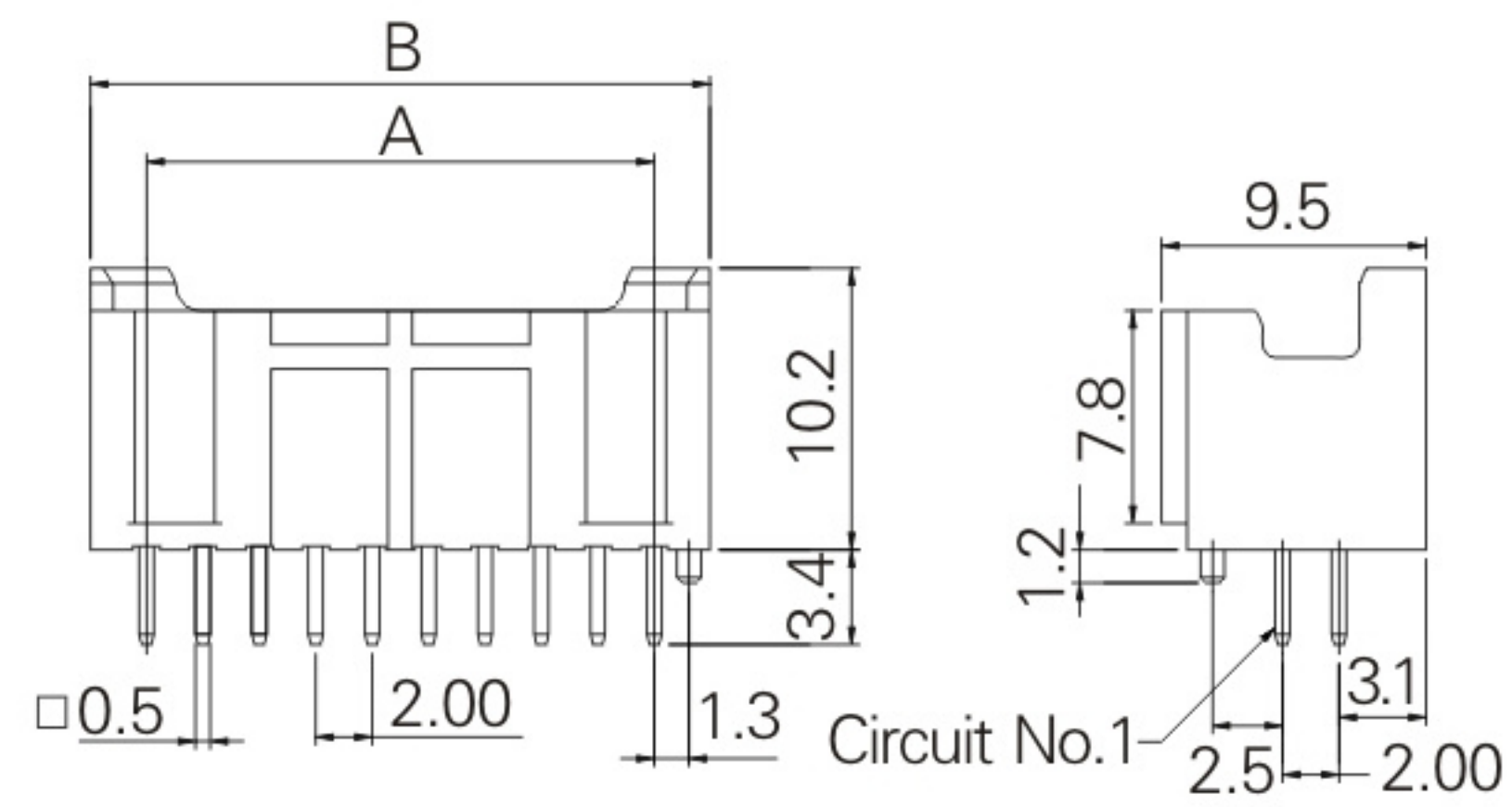
\*Q'ty: 500-1000PCS/bag



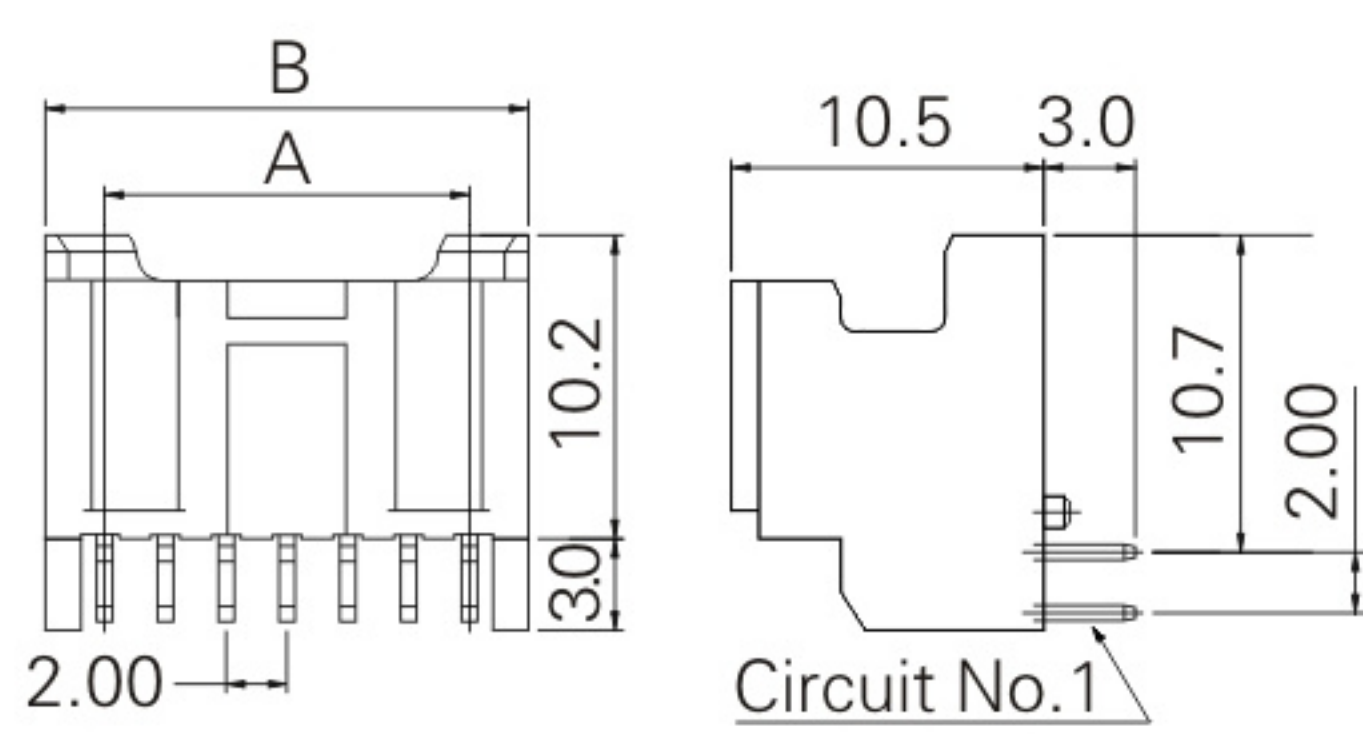
Top entry  
type(14 circuits or less)



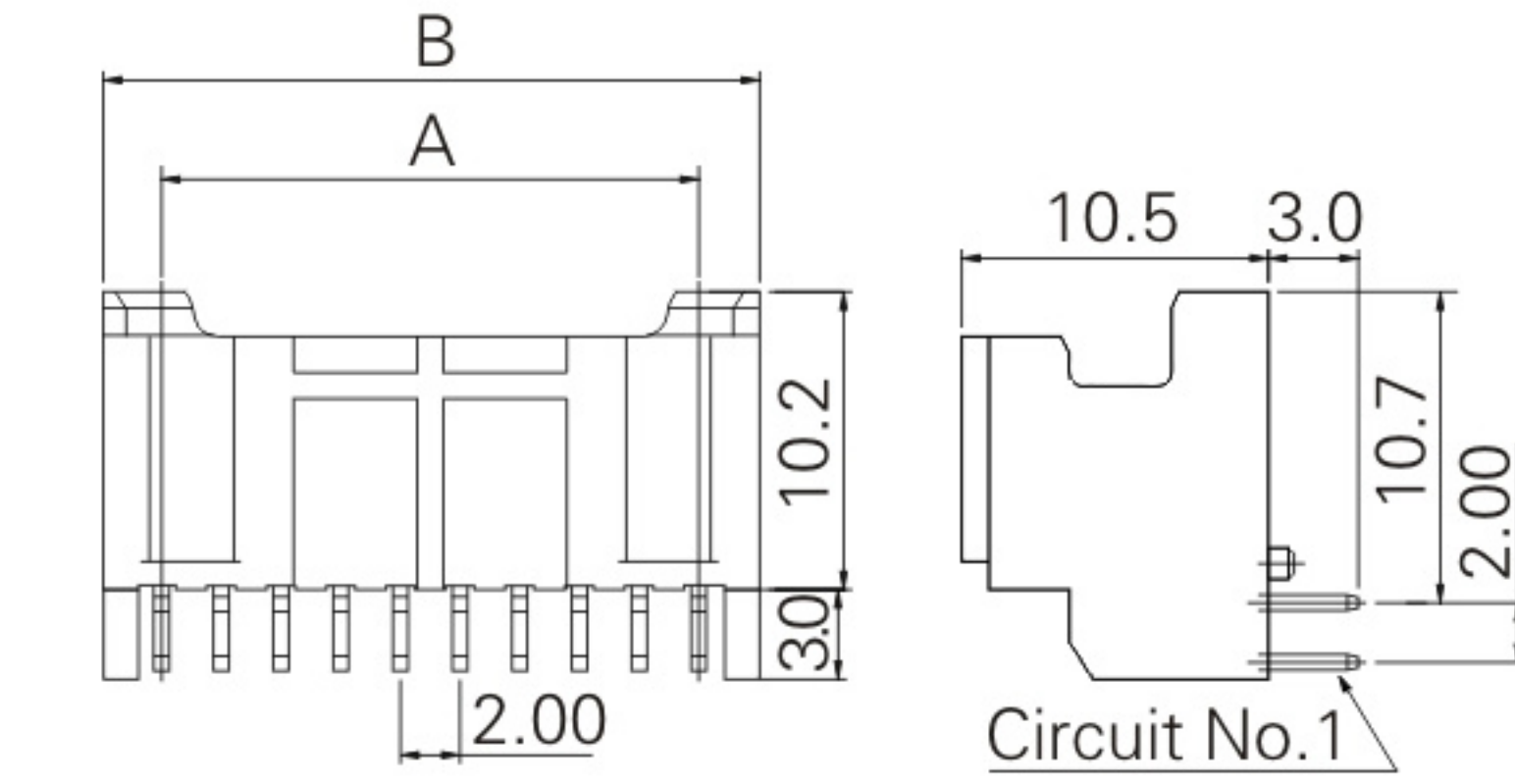
(16 circuits or more)



Side entry  
type(14 circuits or less)



(16 circuits or more)



## Ordering Information & Dimensions

Circuits	Part No.	DIM.(mm)	
		A	B
04	2080PR-2X02P	2.0	6.0
06	2080PR-2X03P	4.0	8.0
08	2080PR-2X04P	6.0	10.0
10	2080PR-2X05P	8.0	12.0
12	2080PR-2X06P	10.0	14.0
14	2080PR-2X07P	12.0	16.0
16	2080PR-2X08P	14.0	18.0
18	2080PR-2X09P	16.0	20.0
20	2080PR-2X10P	18.0	22.0
22	2080PR-2X11P	20.0	24.0
24	2080PR-2X12P	22.0	26.0
26	2080PR-2X13P	24.0	28.0
28	2080PR-2X14P	26.0	30.0
30	2080PR-2X15P	28.0	32.0
32	2080PR-2X16P	30.0	34.0