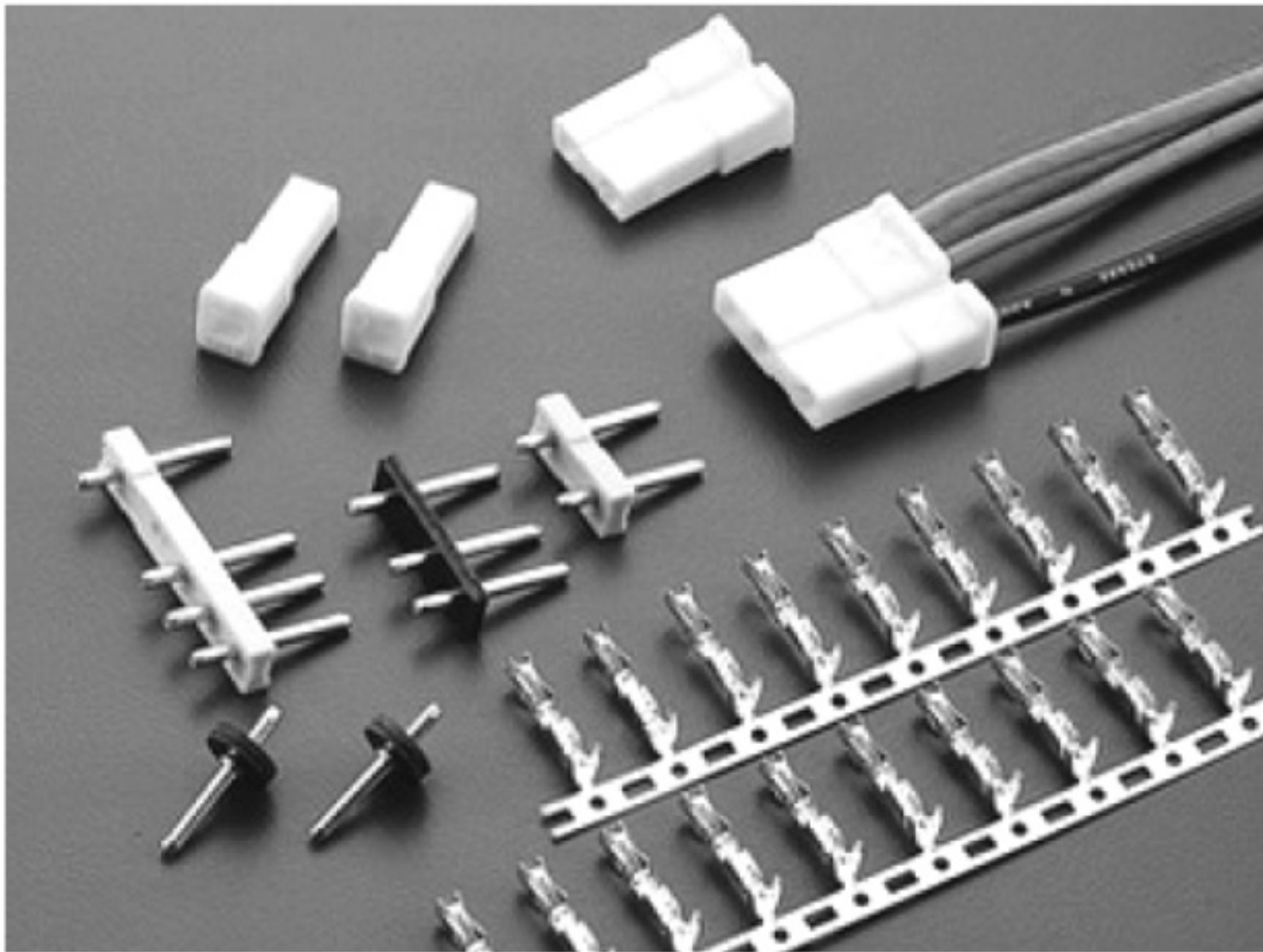


7550 SERIES

7.5mm PITCH WIRE TO BOARD CONNECTOR



Specifications

Current rating: 5A AC,DC

Voltage rating: 250V AC,DC

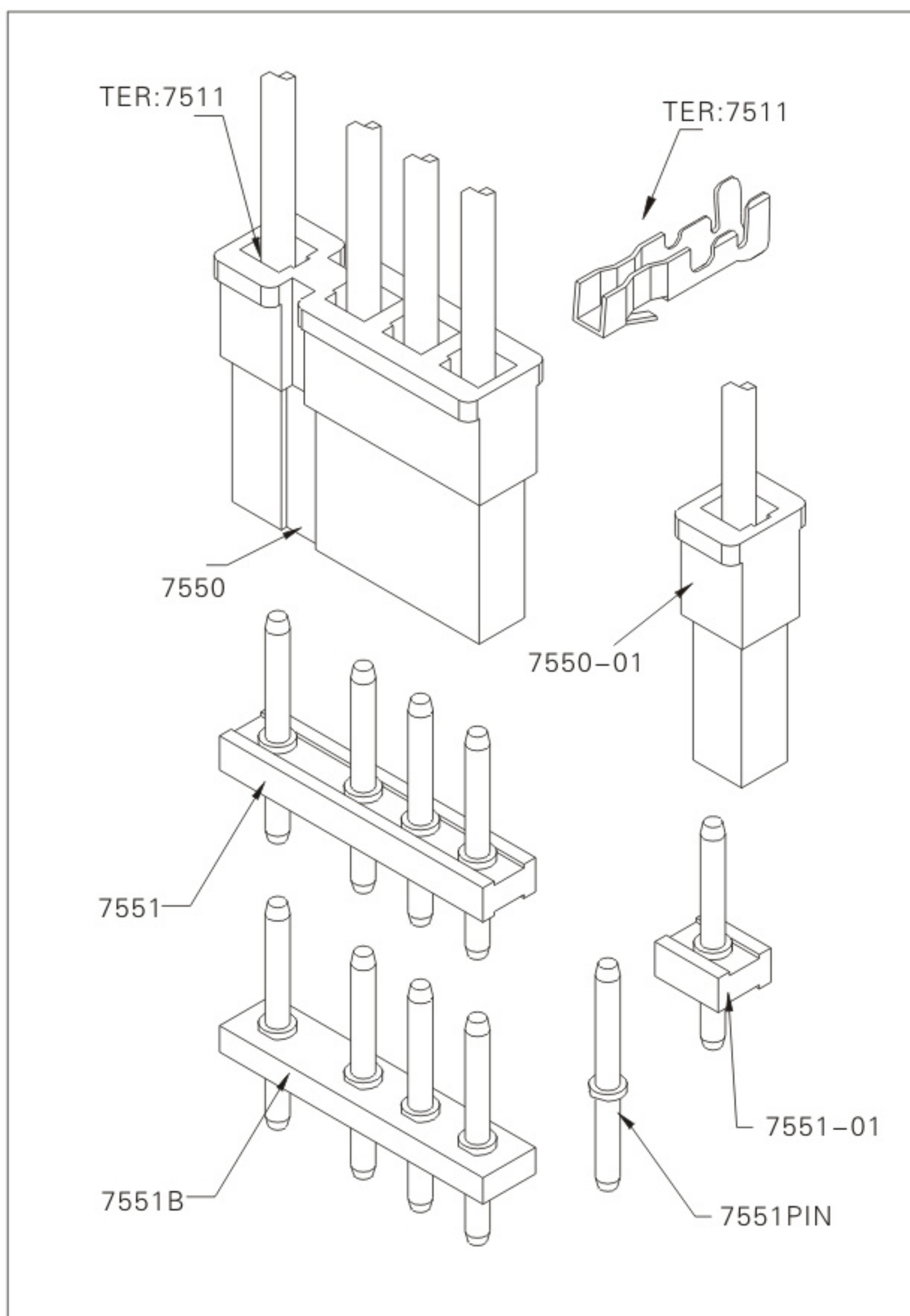
Temperature range: -25°C to +85°C
(including temperature rise)

Contact resistance: Initial value/ 10m Ω Max.
After environmental testing/20m Ω Max.

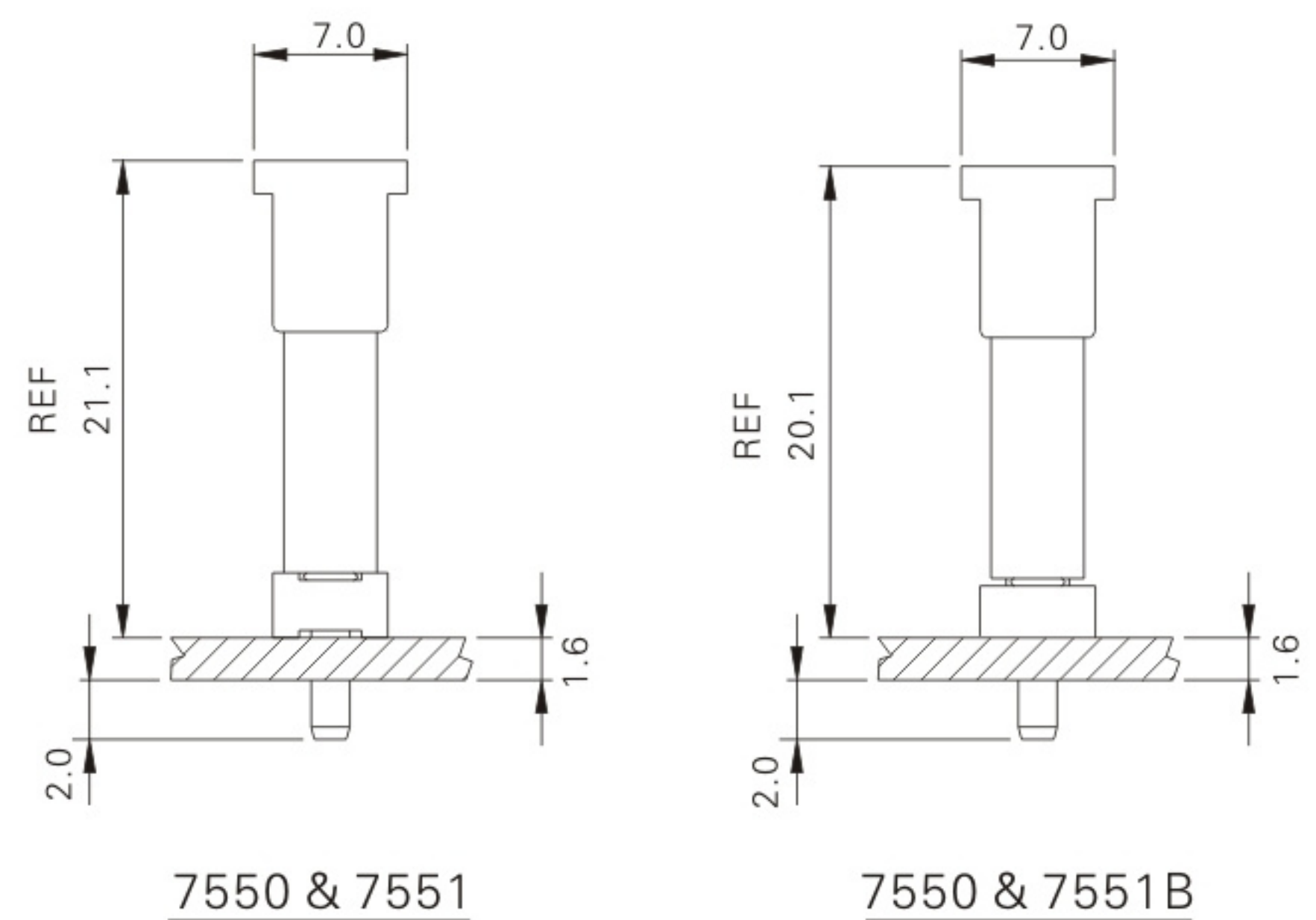
Insulation resistance: 500 M Ω Min.

Withstanding voltage: 1000 V AC/minute

Applicable wire: AWG#18-#22



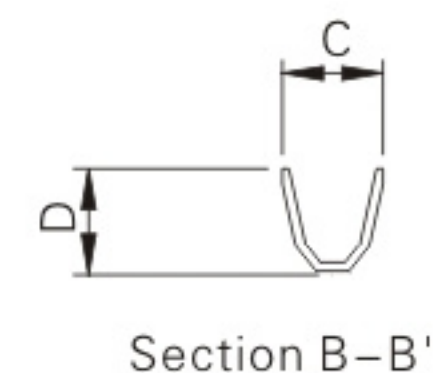
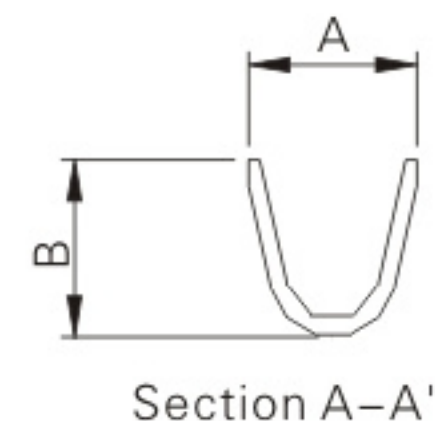
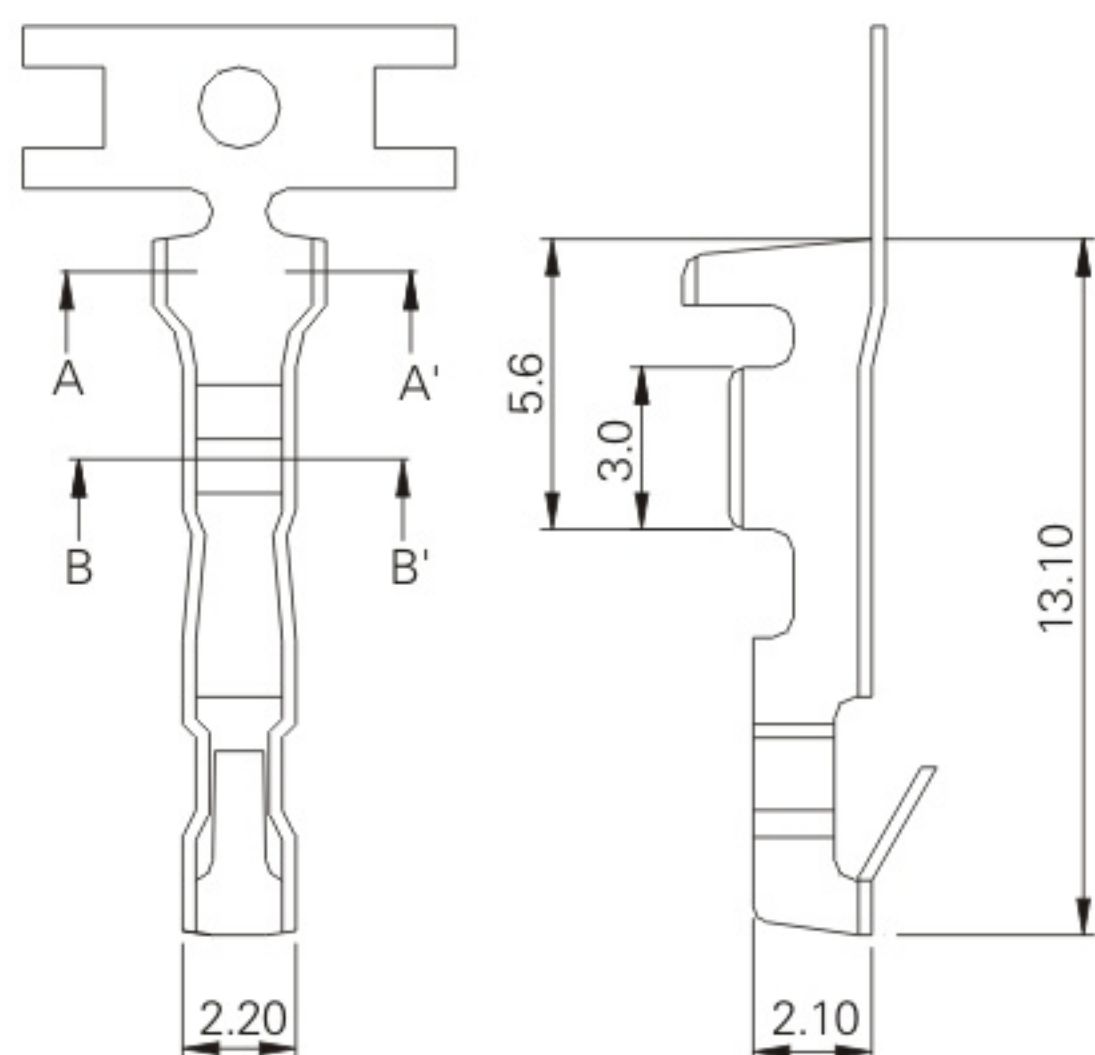
Assembly layout



7511 7513 (7.5x5mm pitch crimp terminal)

Reference Informations:

- *Thickness: 0.25mm
- *Mat'l: Brass or Phosphor Bronze Tin Plated
- *Mates With: 7550 series Housing
- *Accepts With: 7551 series Wafer



| | A | B | C | D |
|------|-----|------|-----|-----|
| 7511 | 3.0 | 3.60 | 2.2 | 2.3 |
| 7513 | 4.0 | 4.2 | 2.3 | 2.3 |

Ordering Information & Specifications

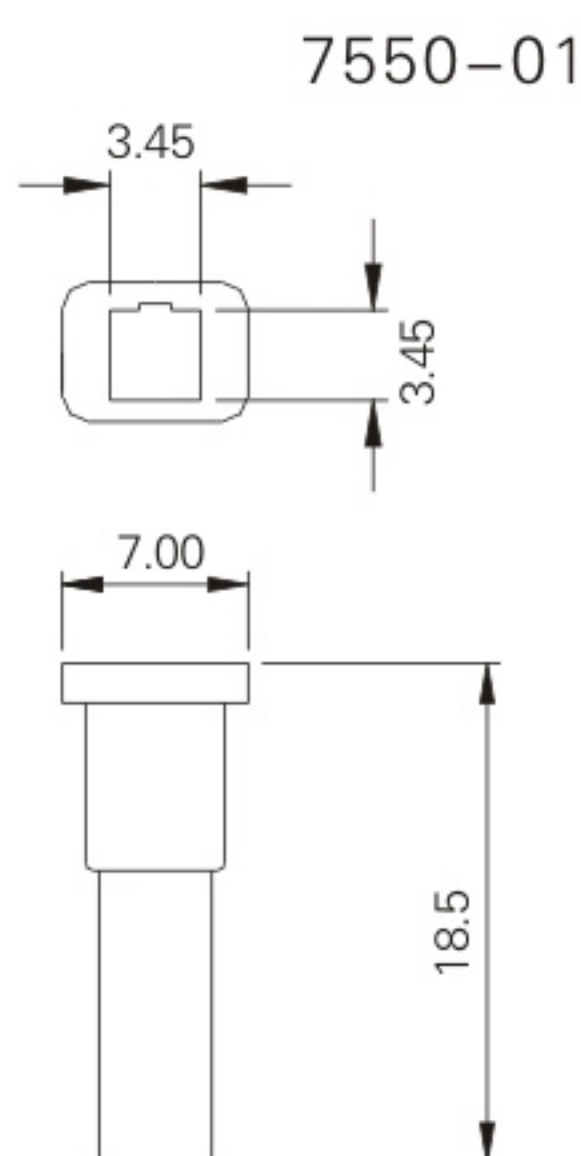
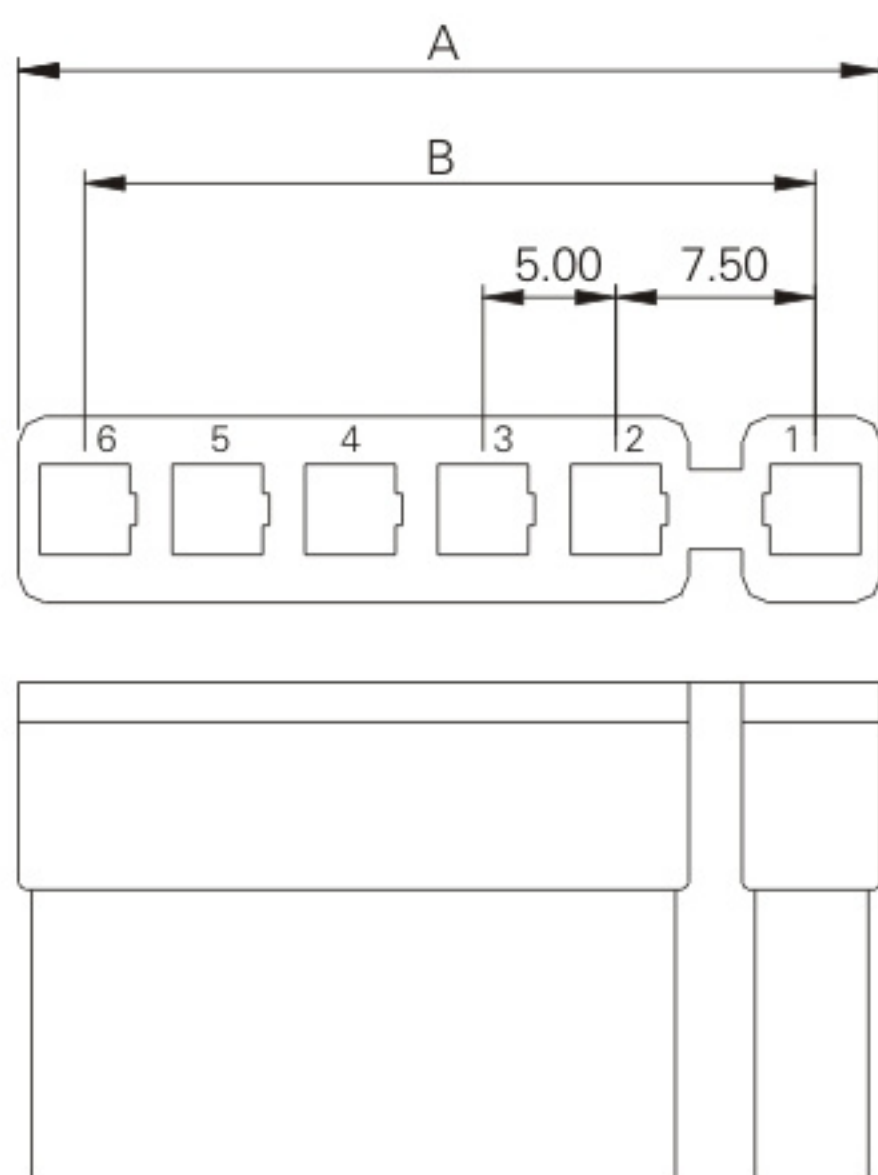
Unit: mm

| Part No. | Wire Range | Insulation O.D. | Material | Finish | Qty/reel |
|----------|------------|-----------------|-----------------|------------|----------|
| 7511-T | AWG#18-#22 | Φ2.45mm max | Brass | Tin-plated | 8,000 |
| 7511-P | AWG#18-#22 | Φ2.45mm max | Phosphor bronze | Tin-plated | 8,000 |
| 7513-P | AWG#12-#16 | Φ2.8mm max | Phosphor bronze | Tin-plated | 8,000 |

7550 (7.5x5mm pitch crimp housing)

Reference Informations:

- *Mat'l: Nylon 66 UL94V-0
- *Mates With: 7511 series Terminal
- *Accepts With: 7551 series Wafer
- *Accepts With: 1.55(0.61") Round Pin



Ordering Information & Dimensions

| Circuits | Part No. | DIM.(mm) | |
|----------|----------|----------|------|
| | | A | B |
| 01 | 7550-01 | 6.1 | |
| 02 | 7550-02 | 12.5 | 7.5 |
| 03 | 7550-03 | 17.5 | 12.5 |
| 04 | 7550-04 | 22.5 | 17.5 |
| 05 | 7550-05 | 27.5 | 22.5 |
| 06 | 7550-06 | 32.5 | 27.5 |

7551 7551B (7.5x5mm pitch 180° wafer)

Reference Informations:

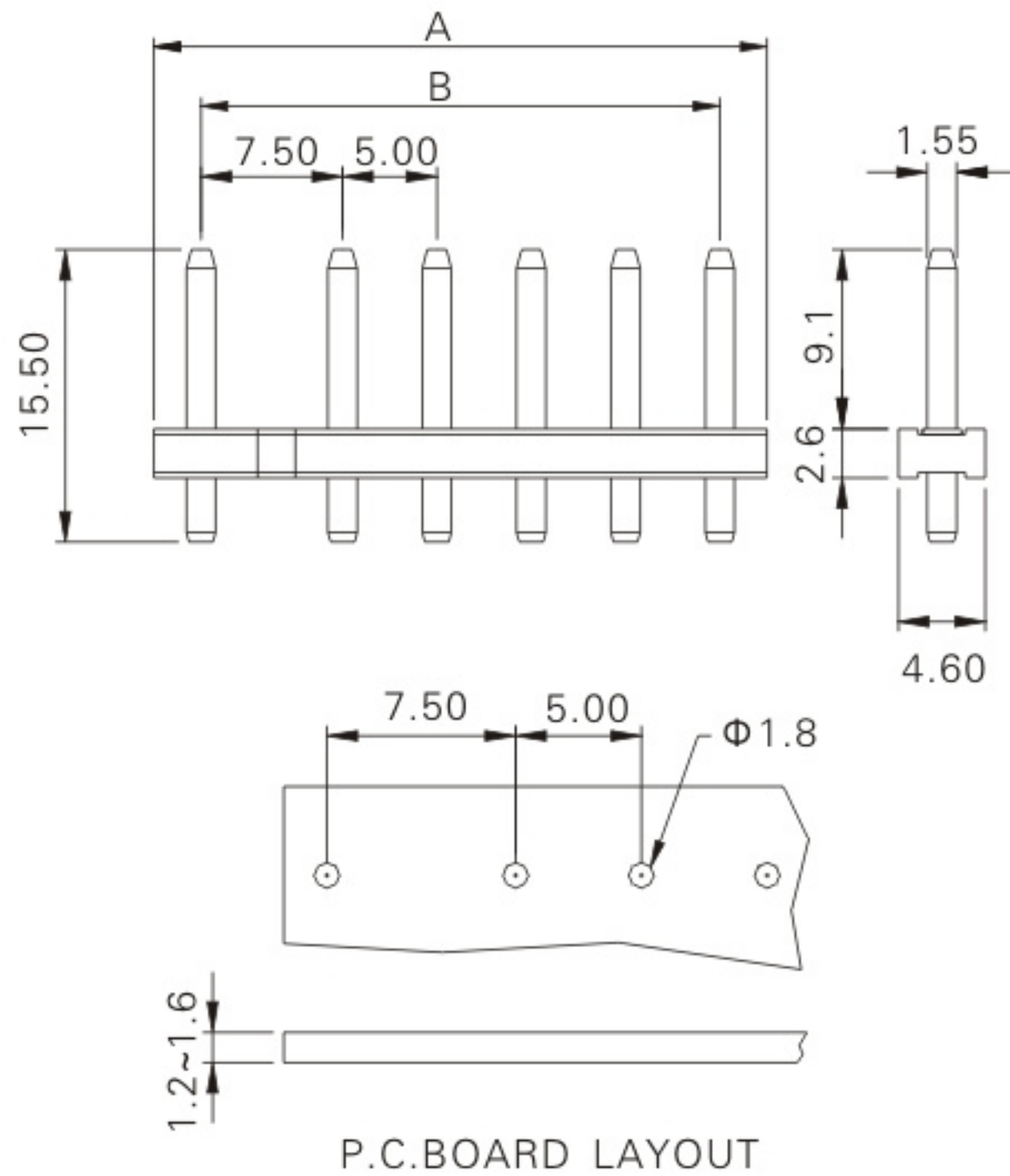
7551

*Mat'l: Body: Nylon 66 UL94V-0

Pins: Brass Tin Plated

*Mates With: 7550 series Housing

*Accepts With: 7511 series Terminal



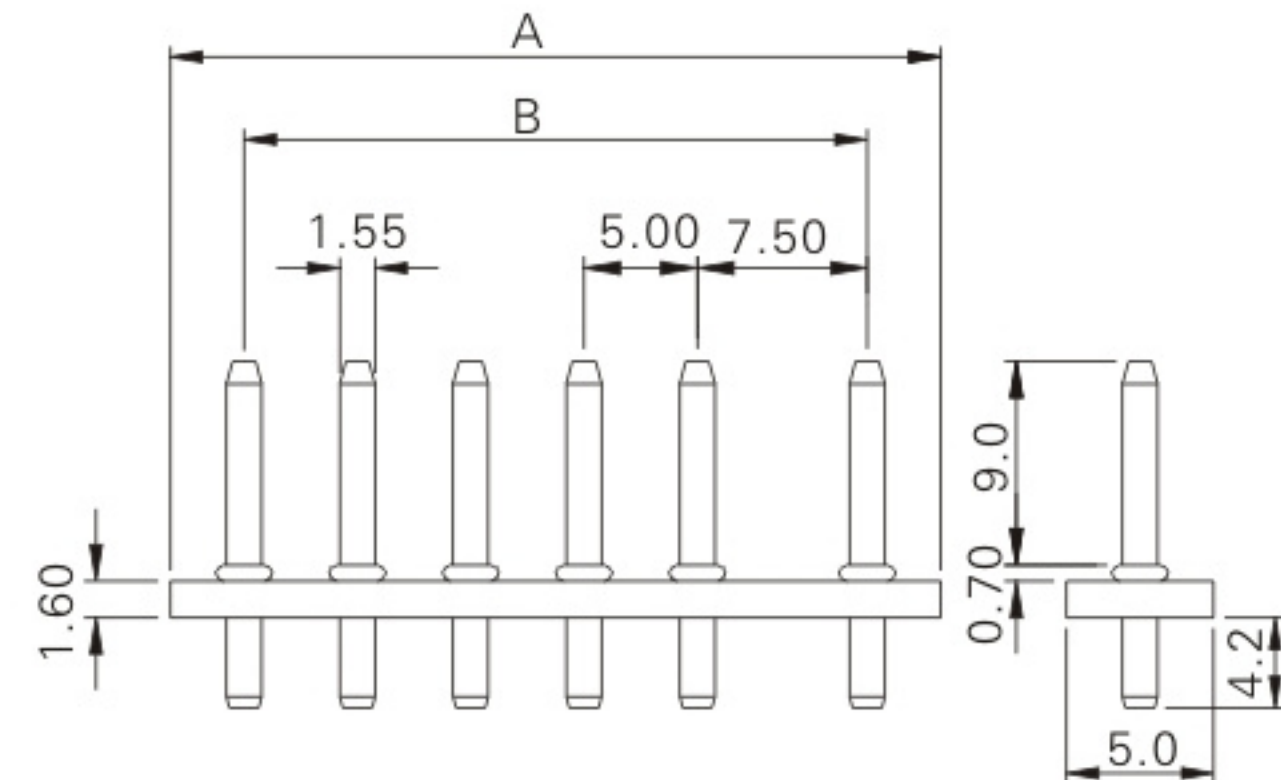
7551B

*Mat'l: Body: Bakelite

Pins: Brass Tin Plated

*Mates With: 7550 series Housing

*Accepts With: 7511 series Terminal



Ordering Information & Dimensions

| Circuits | Part No. | DIM.(mm) | |
|----------|----------|----------|------|
| | | A | B |
| 01 | 7551-01 | 5.5 | |
| 02 | 7551-02 | 13 | 7.5 |
| 03 | 7551-03 | 18 | 12.5 |
| 04 | 7551-04 | 23 | 17.5 |
| 05 | 7551-05 | 28 | 22.5 |
| 06 | 7551-06 | 33 | 27.5 |

7551-06N2,4 (12.5x10x5mm pitch 180° wafer)

Reference Informations:

*Mat'l: Body: Nylon 66 UL94V-0

Pins: Brass Tin Plated

