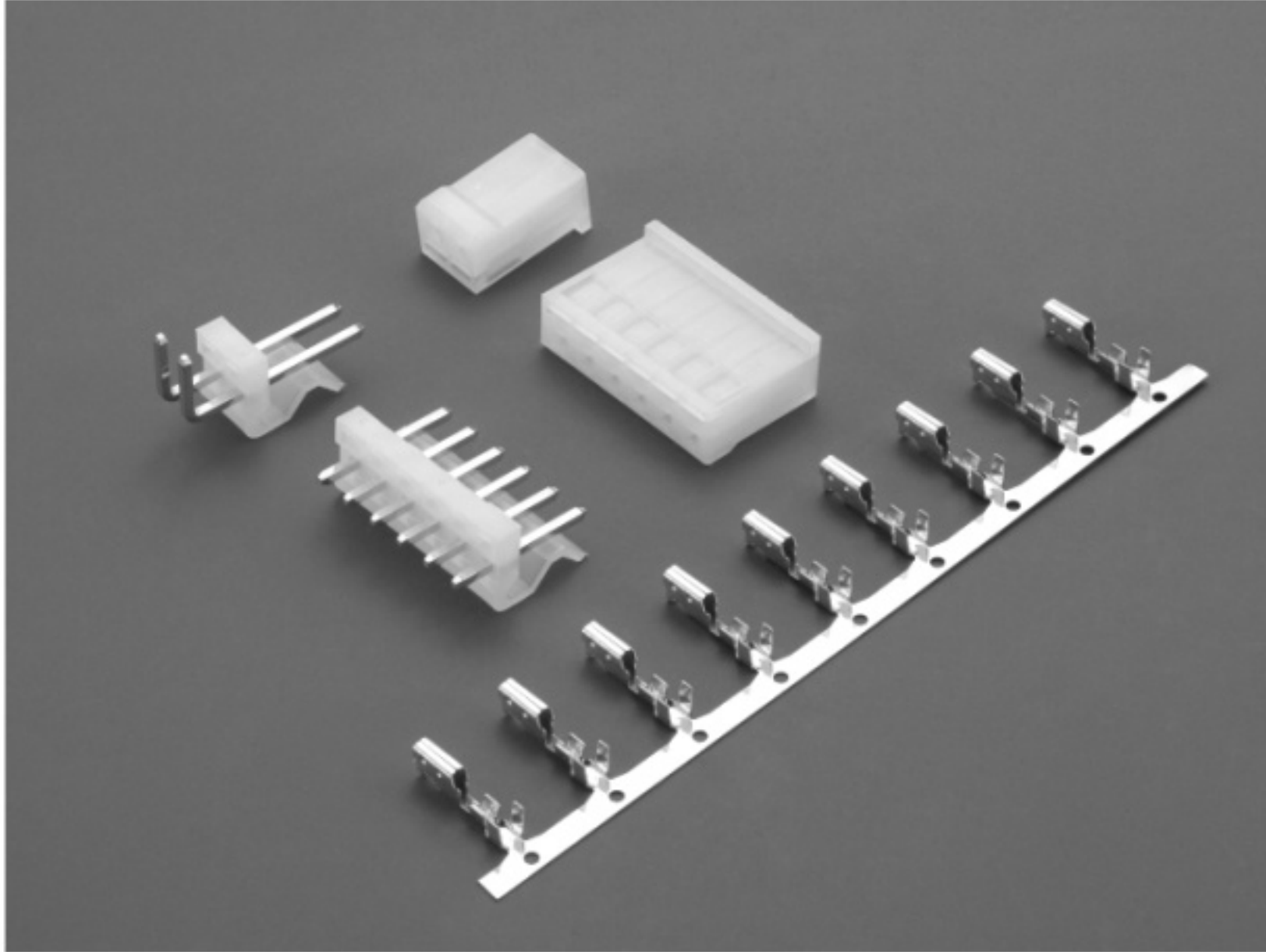


# 8396 SERIES

3.96mm PITCH WIRE TO BOARD CONNECTOR



## Specifications

Current rating: 7A AC,DC

Voltage rating: 250V AC,DC

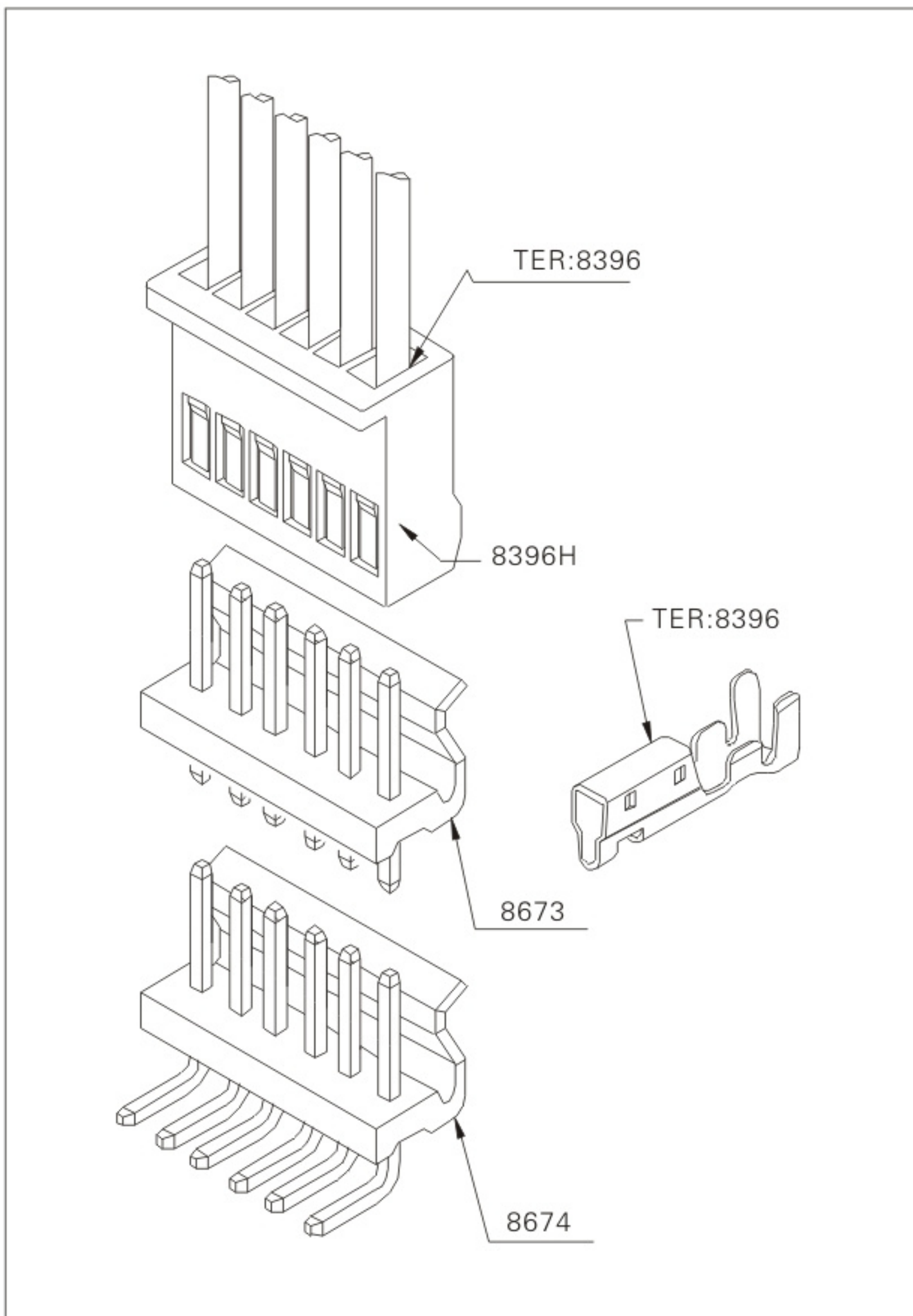
Temperature range: -240°C to +105°C  
(including temperature rise)

Contact resistance: Initial value/ 10m Ω Max.

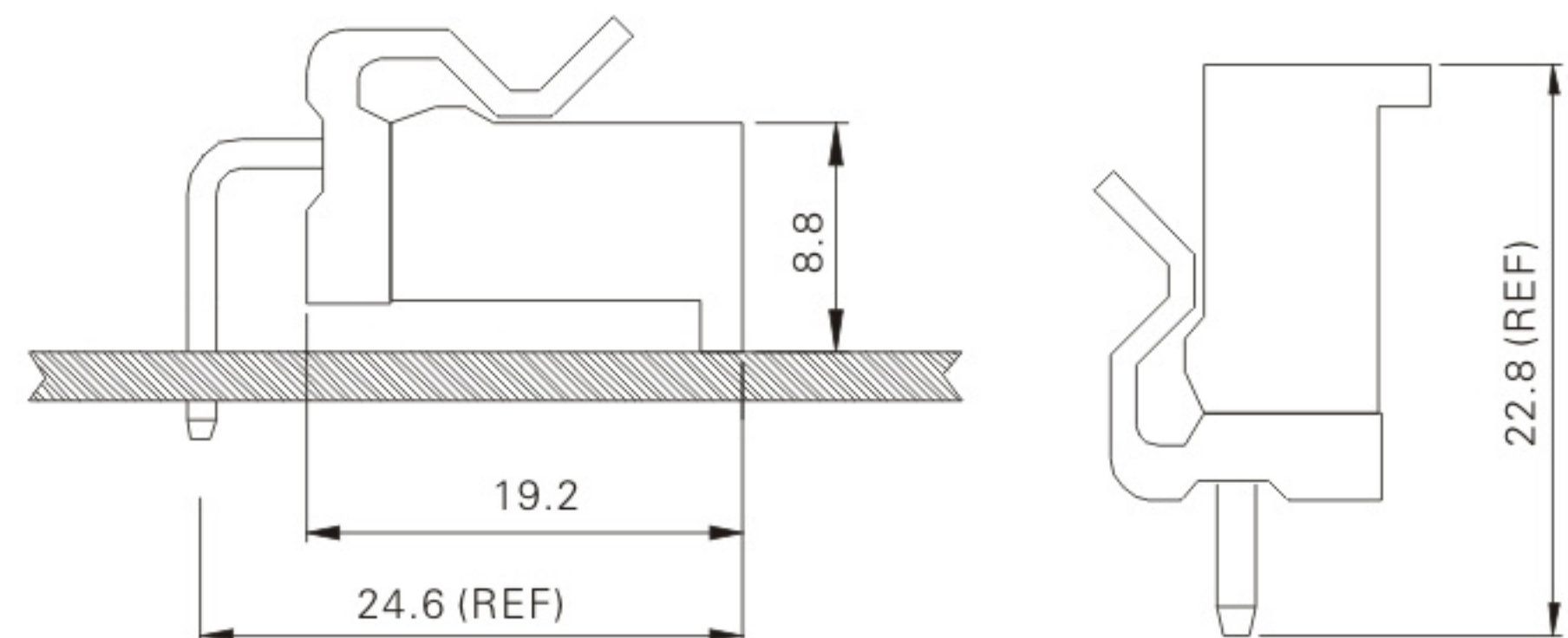
Insulation resistance: 1000MΩ Min.

Withstanding voltage: 1500 V AC/minute

Applicable wire: AWG#18-#22



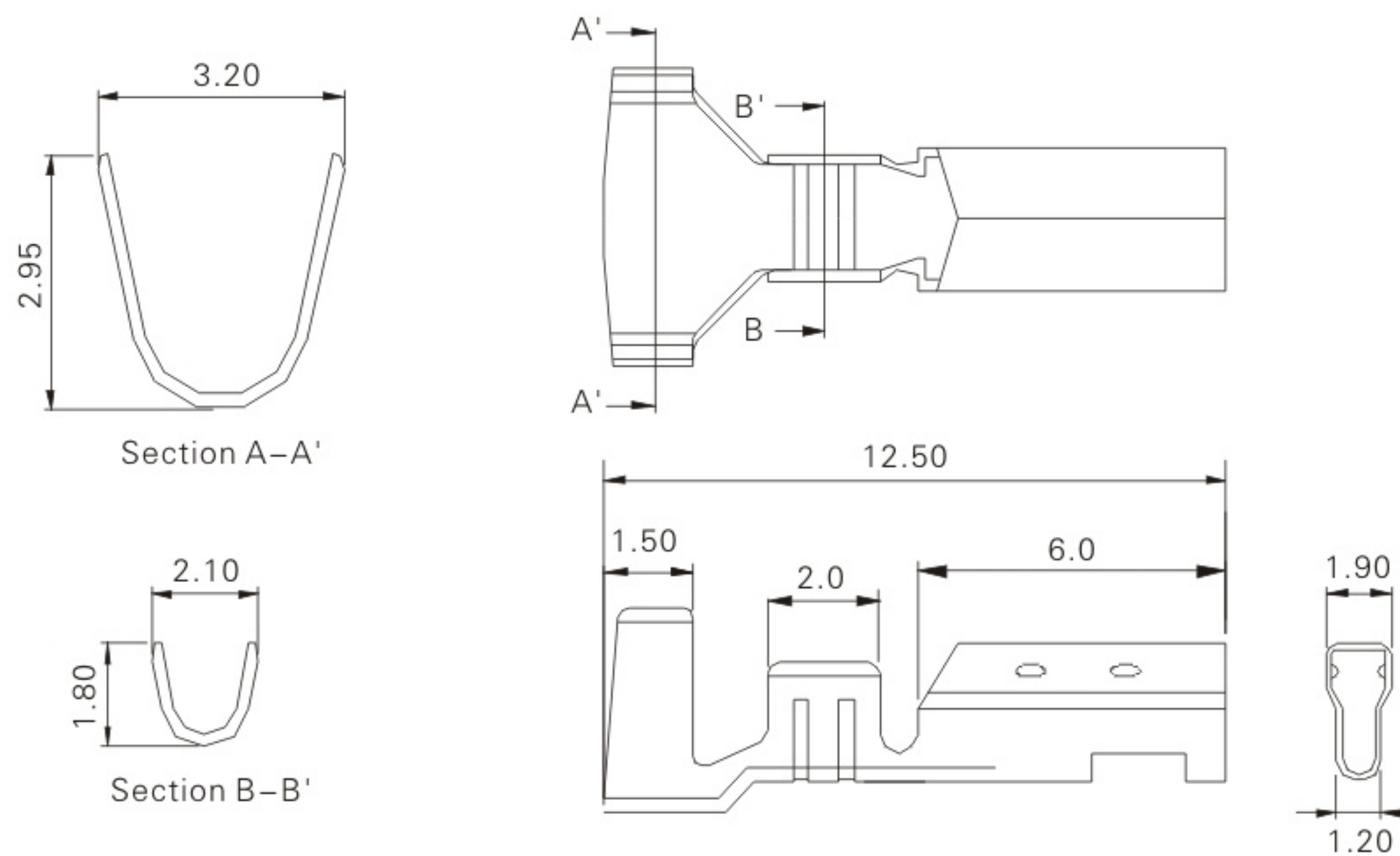
## Assembly layout



# 8396-T (3.96mm pitch crimp terminal)

## Reference Informations:

- \*Thickness:0.2mm
- \*Mat'l: Brass Tin Plated
- \*Mates With: 8396H series Housing



## Ordering Information & Specifications

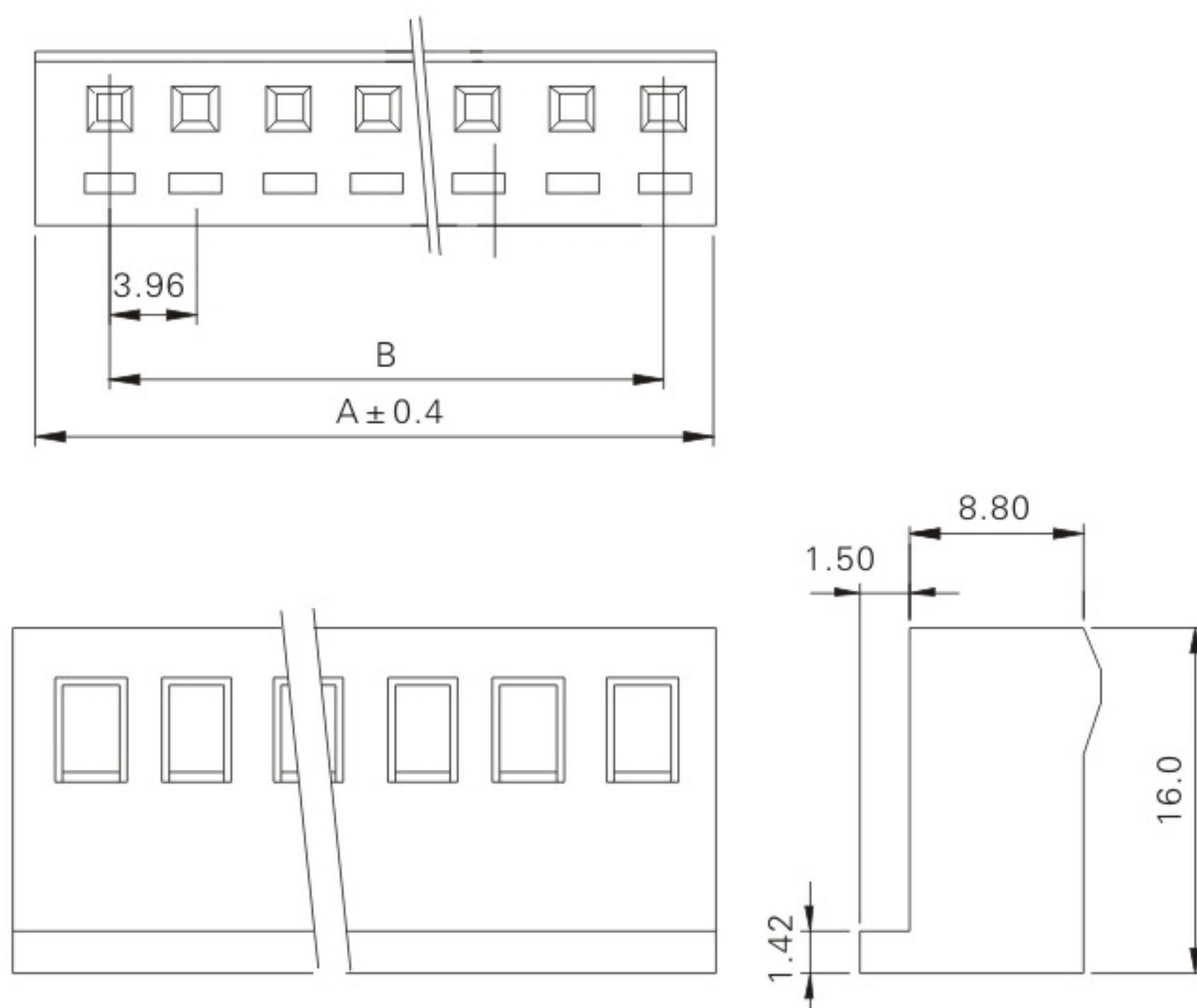
Unit: mm

Part No.	Wire Range	Insulation O.D.	Material	Finish	Qty/reel
8396	AWG#18-22	Φ 1.70~Φ2.10mm max	Brass	Tin-plated	4,000

# 8396H (3.96mm pitch crimp housing)

## Reference Informations:

- \*Mat'l: Nylon 66 UL94V-2 or V-0
- \*Mates With: 8396T series Terminal
- \*Accepts With: 8673 8674 series Wafer



## Ordering Information & Dimensions

Circuits	Part No.	DIM.(mm)	
		A	B
02	8396H-02	9.06	3.96
03	8396H-03	13.02	7.92
04	8396H-04	16.98	11.88
05	8396H-05	20.94	15.84
06	8396H-06	24.90	19.80
07	8396H-07	28.86	23.76
08	8396H-08	32.82	27.72
09	8396H-09	36.78	31.68
10	8396H-10	40.74	35.64
11	8396H-11	44.70	39.60
12	8396H-12	48.66	43.56