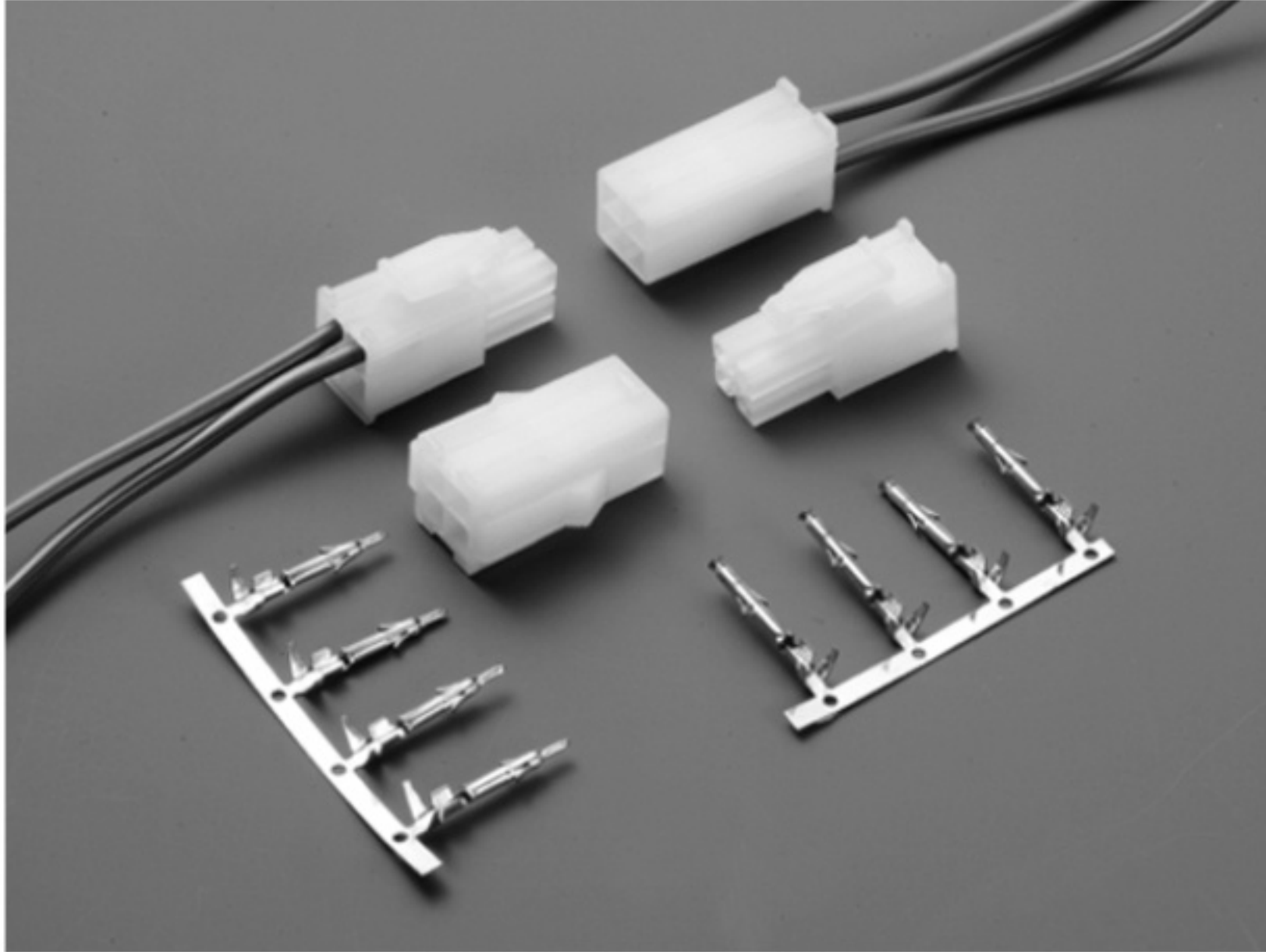


E010H/E110H SERIES

4.14mm PITCH WIRE TO WIRE CONNECTOR



Specifications

Current rating: 5A AC,DC

Voltage rating: 300V AC,DC

Temperature range: -25°C to +85°C
(including temperature rise)

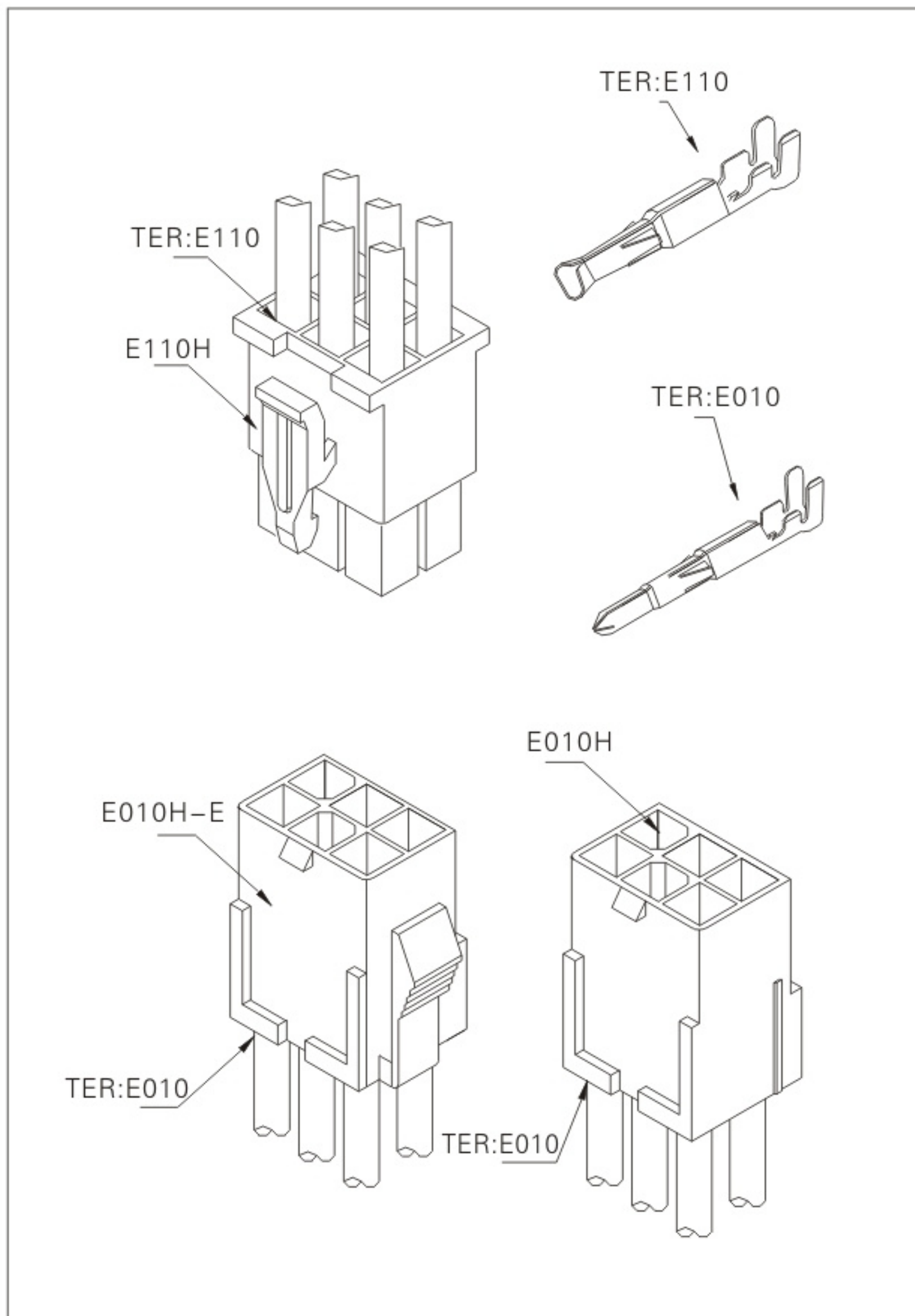
Contact resistance: Initial value/ 10m Ω Max.

After environmental testing/20m Ω Max.

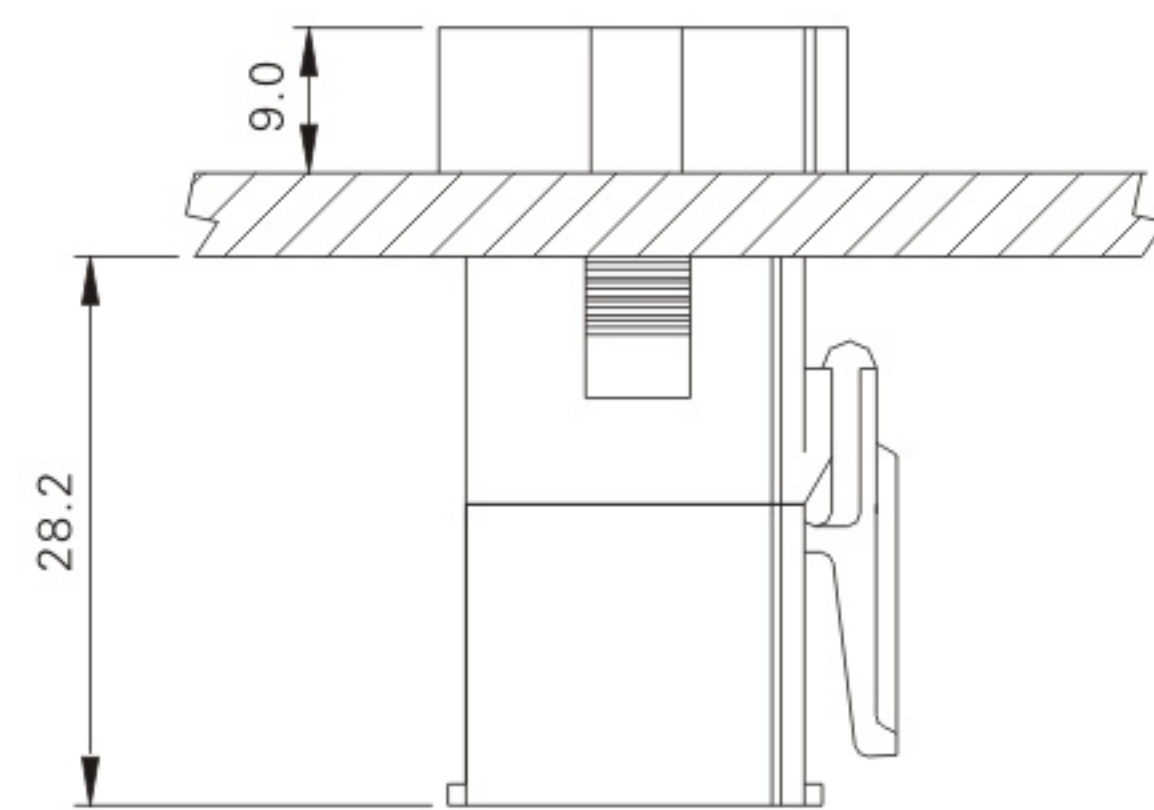
Insulation resistance: 1000M Ω Min.

Withstanding voltage: 1500V AC/minute

Applicable wire: AWG#18-#24



Assembly layout

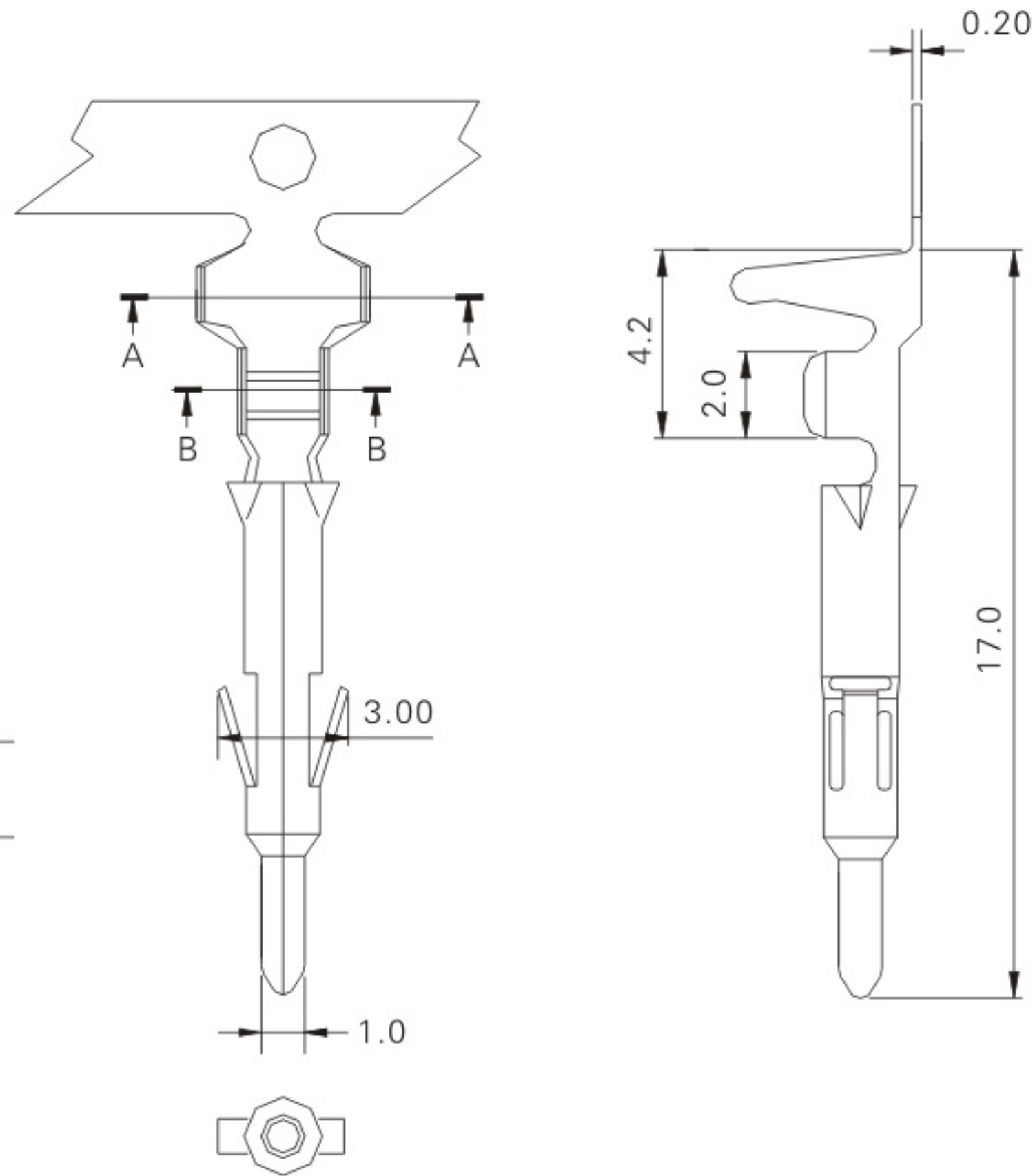
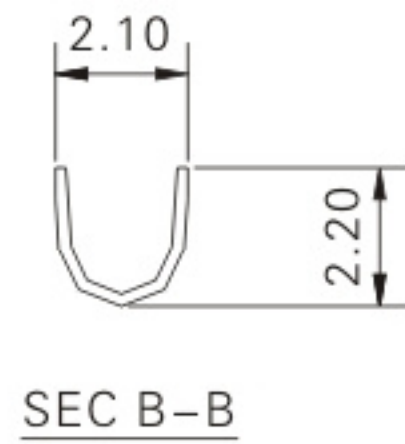
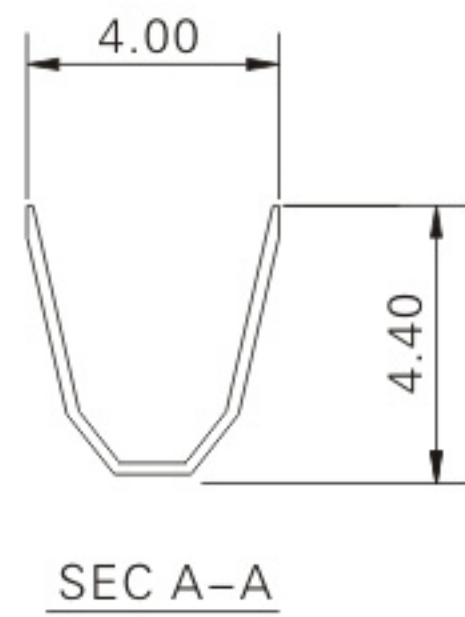


WIRE TO WIRE

E010 (4.14mm pitch crimp terminal)

Reference Informations:

- *Thickness:0.20mm
- *Mat'l:Bronze Tin Plated
- *Accepts With:E010H Housing
- *Mates With:E110 Terminal
E110H Housing



Ordering Information & Specifications

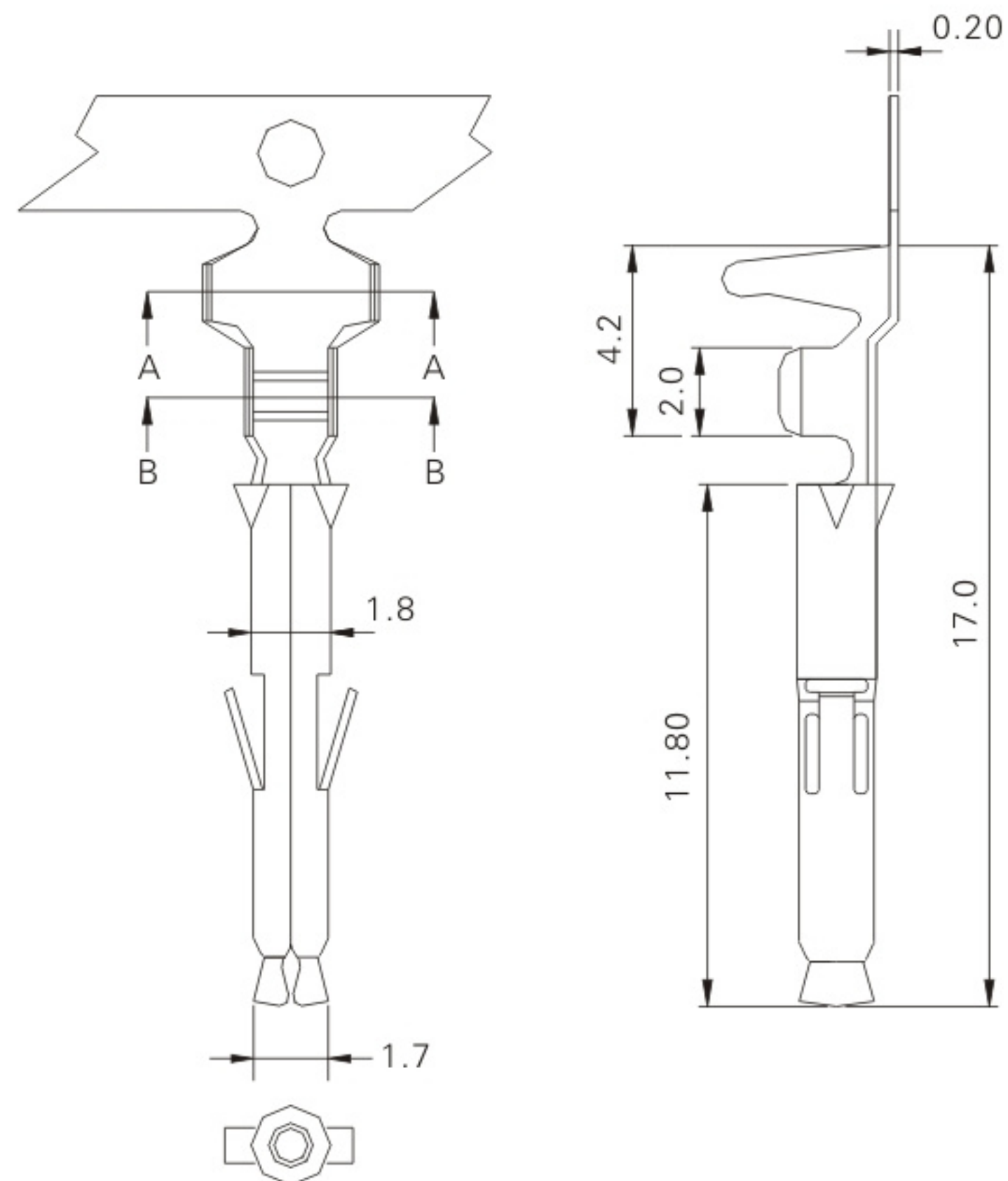
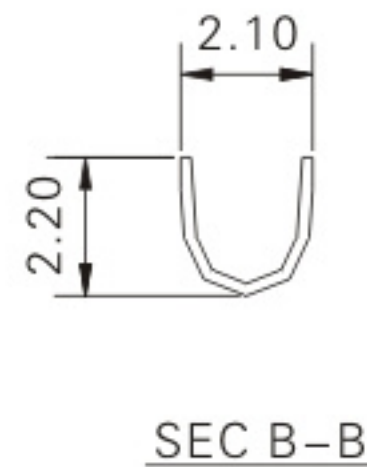
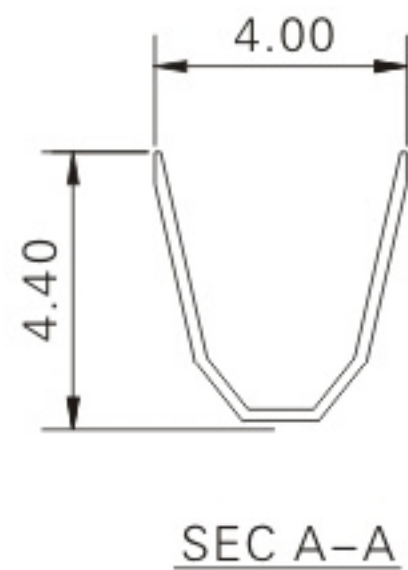
Unit: mm

Part No.	Wire Range	Insulation O.D.	Material	Finish	Qty/reel
E010	AWG#24-#18	1.7-3.0mm	Phosphor Bronze	Tin-plated	4000

E110 (4.14mm pitch crimp terminal)

Reference Informations:

- *Thickness:0.20mm
- *Mat'l:Bronze Tin Plated
- *Accepts With:E110h Housing
- *Mates With:E010 Terminal
E010H Housing



Ordering Information & Specifications

Unit: mm

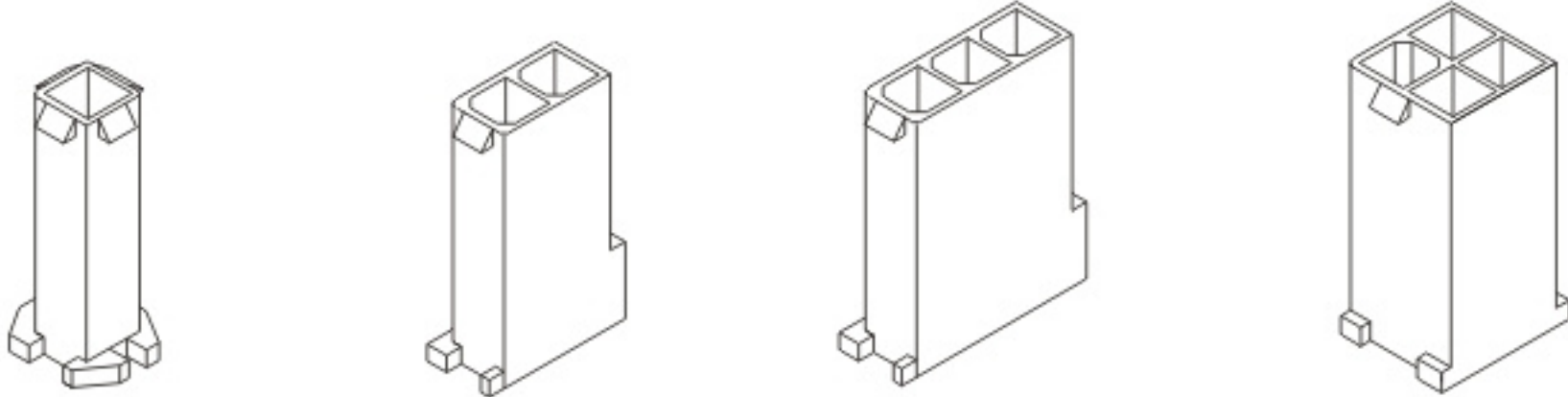
Part No.	Wire Range	Insulation O.D.	Material	Finish	Qty/reel
E110	AWG#24-#18	1.7-3.0mm	Phosphor Bronze	Tin-plated	4000

E010H (4.14 pitch series housing)

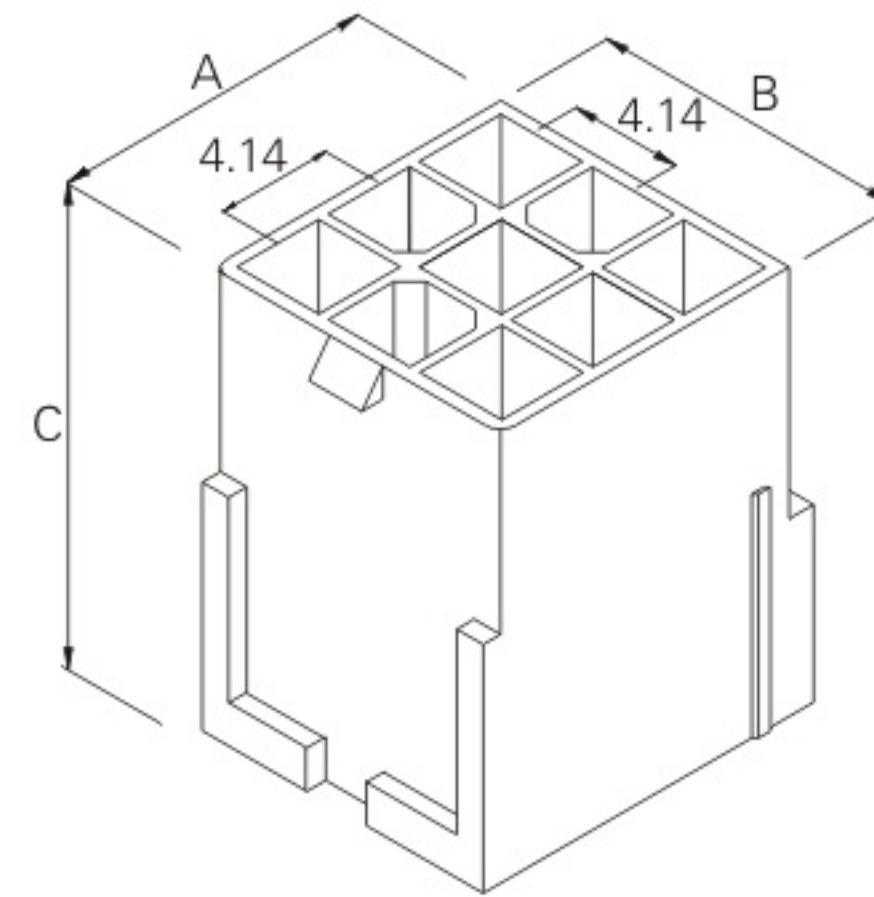
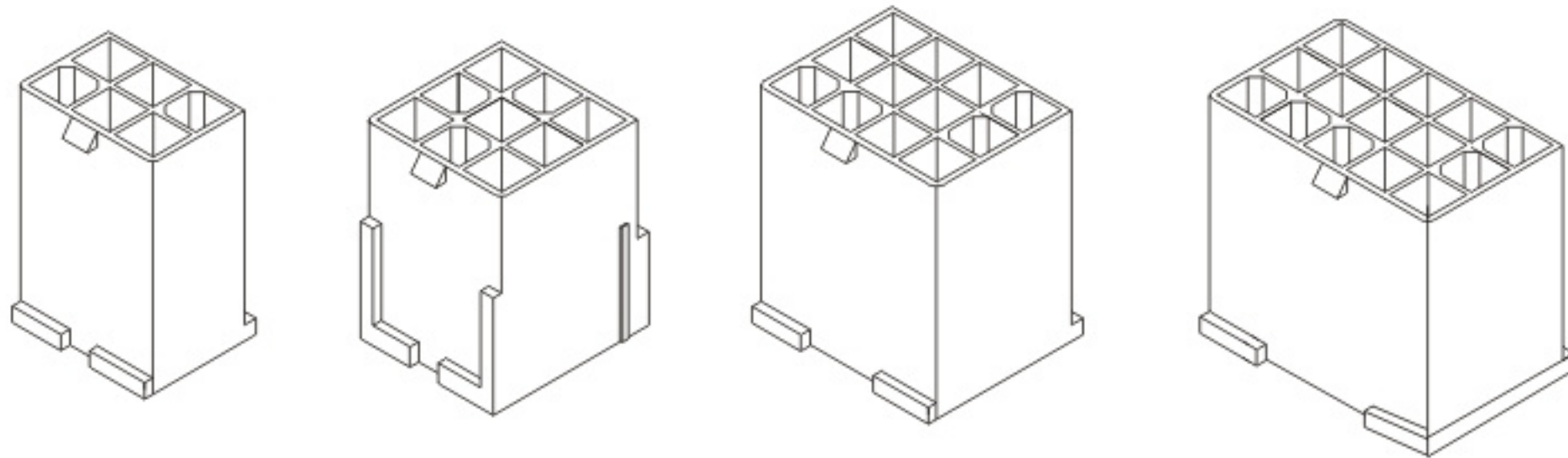
Reference Informations:

- * Mat'l: Nylon66 UL94 V-2
- * Mates E010 series Terminal
- * Accepts With: E110H series Housing

E010H-01 E010H-02 E010H-03 E010H-04(2X2)



E010H-06(2X3) E010H-09(3X3) E010H-12(3X4) E010H-15(3X5)



Ordering Information & Dimensions

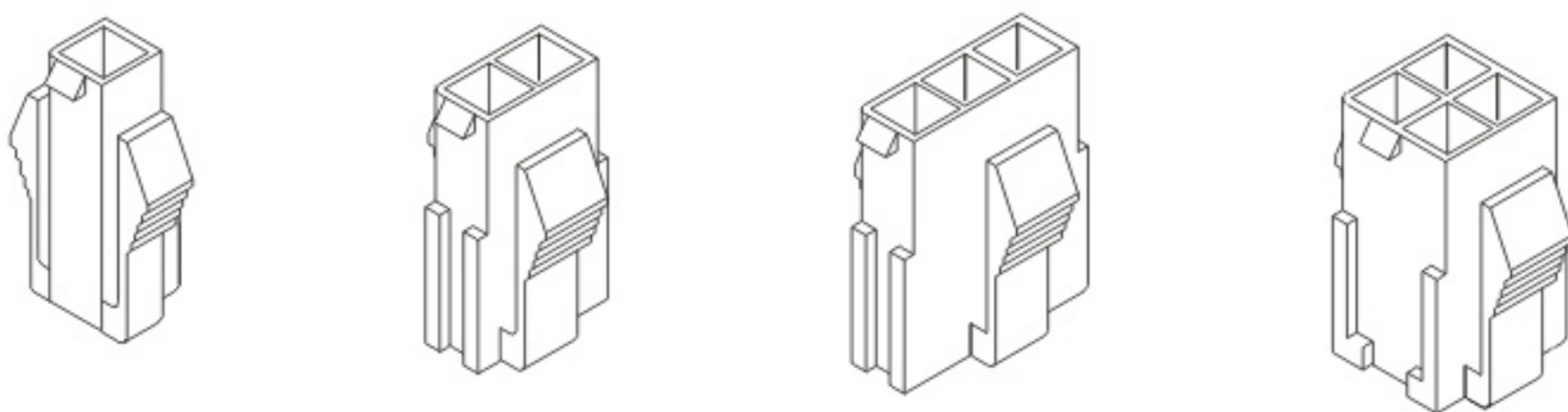
Circuits	Part No.	DIM.(mm)		
		A	B	C
01	E010H-01	5.6	5.6	24.0
02	E010H-02	9.8	5.6	24.0
03	E010H-03	14.0	5.6	24.0
04	E010H-04(2X2)	9.8	9.8	24.0
06	E010H-06(2X3)	9.8	14.0	24.0
09	E010H-09(3X3)	14.0	14.0	24.0
12	E010H-12(3X4)	14.0	18.5	24.0
15	E010H-15(3X5)	14.0	22.5	24.0

E010H-E (4.14 pitch series housing)

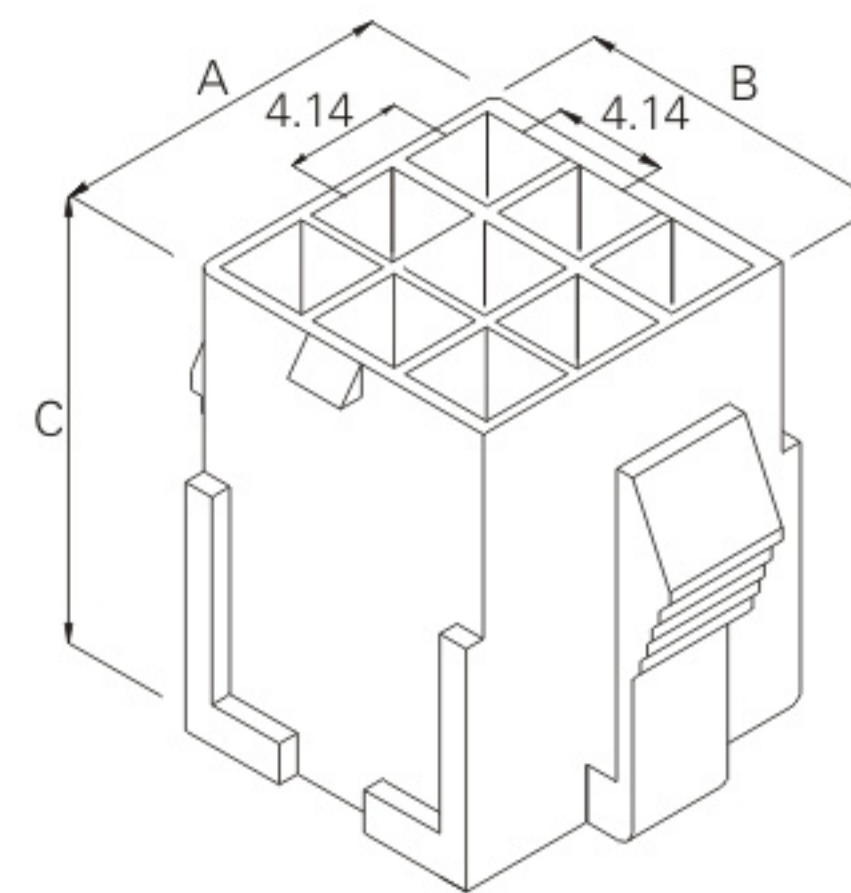
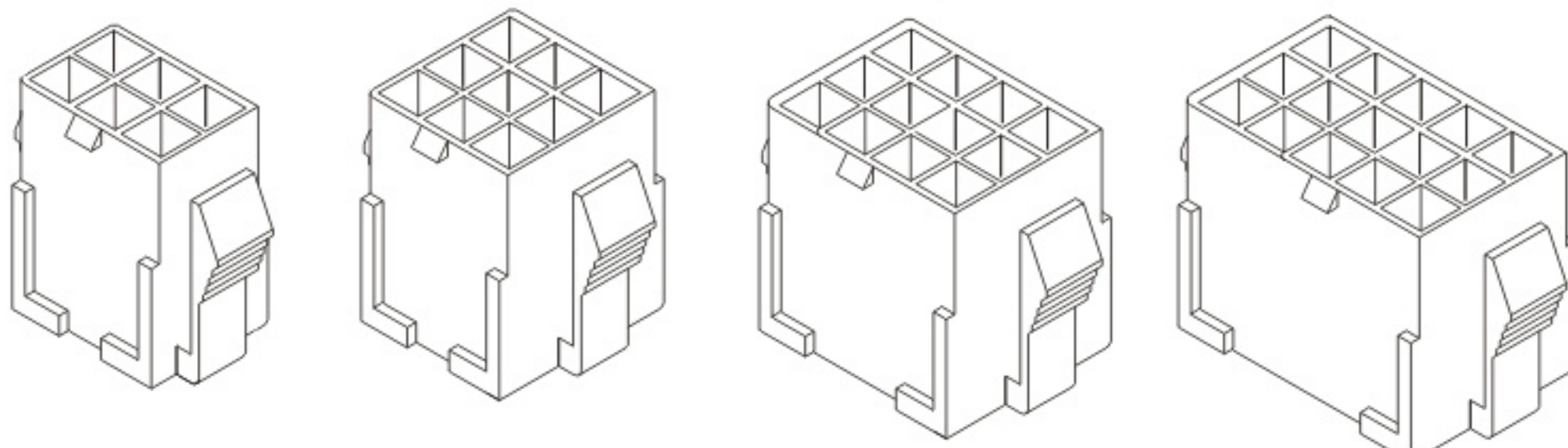
Reference Informations:

- * Mat'l: Nylon66 UL94 V-2
- * Mates E010 series Terminal
- * Accepts With: E110H series Housing

E010H-01E E010H-02E E010H-03E E010H-04E



E010H-06E (2X3) E010H-09E (3X3) E010H-12E (3X4) E010H-15E (3X5)



Ordering Information & Dimensions

Circuits	Part No.	DIM.(mm)		
		A	B	C
01	E010H-01E	5.6	5.6	24.0
02	E010H-02E(2x1)	9.8	5.6	24.0
03	E010H-03E(3x1)	14.0	5.6	24.0
04	E010H-04E(2x2)	9.8	9.8	24.0
06	E010H-06E(2x3)	9.8	14.0	24.0
09	E010H-09E(3x3)	14.0	14.0	24.0
12	E010H-12E(3x4)	14.0	18.5	24.0
15	E010H-15E(3x5)	14.0	22.5	24.0

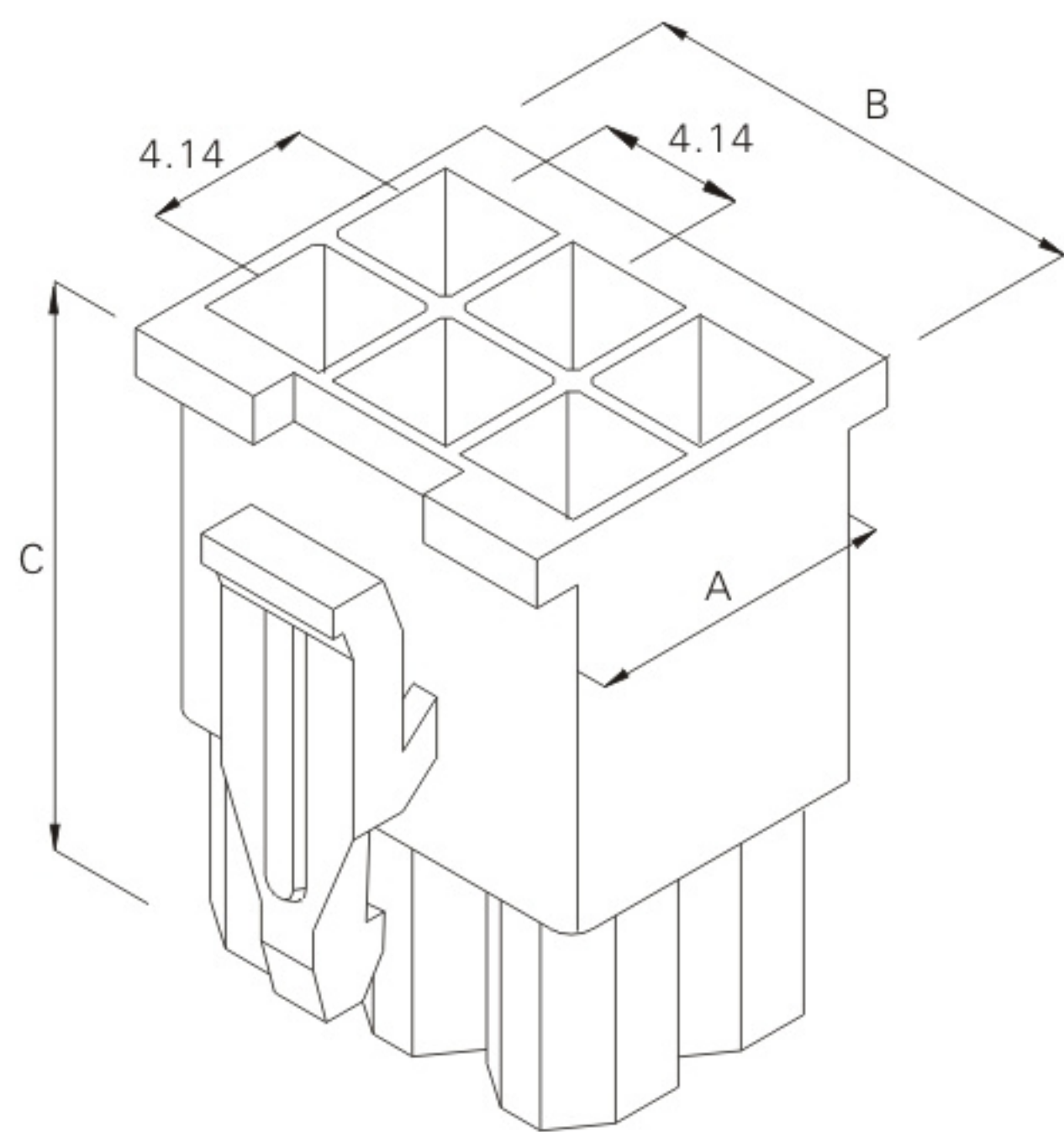
E110H (4.14mm pitch series housing)

Reference Informations:

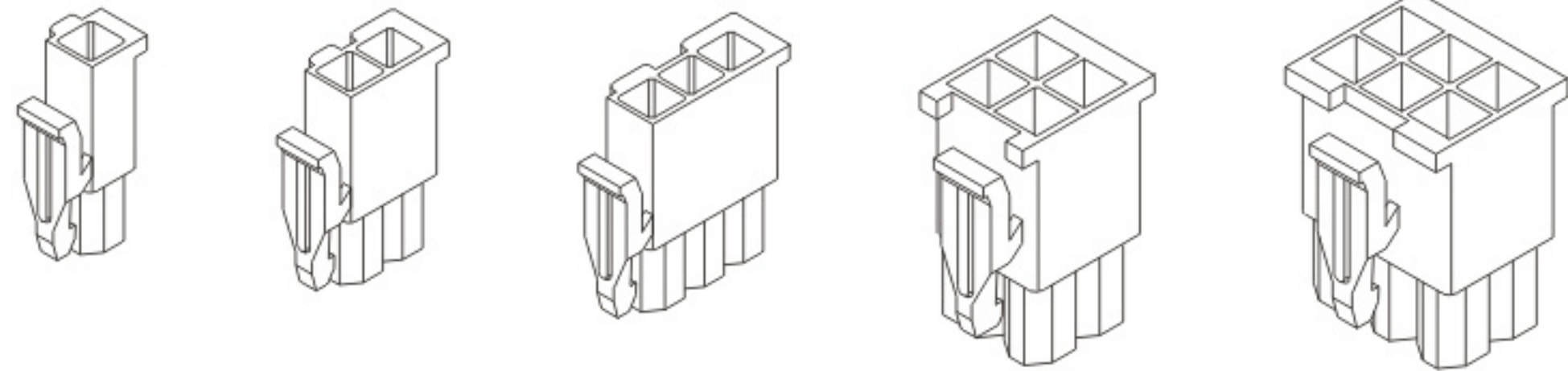
* Mat'l: Nylon66 UL94 V-2

* Mates: E110 series Terminal

* Accepts With: E010H & E010H-E series Housing



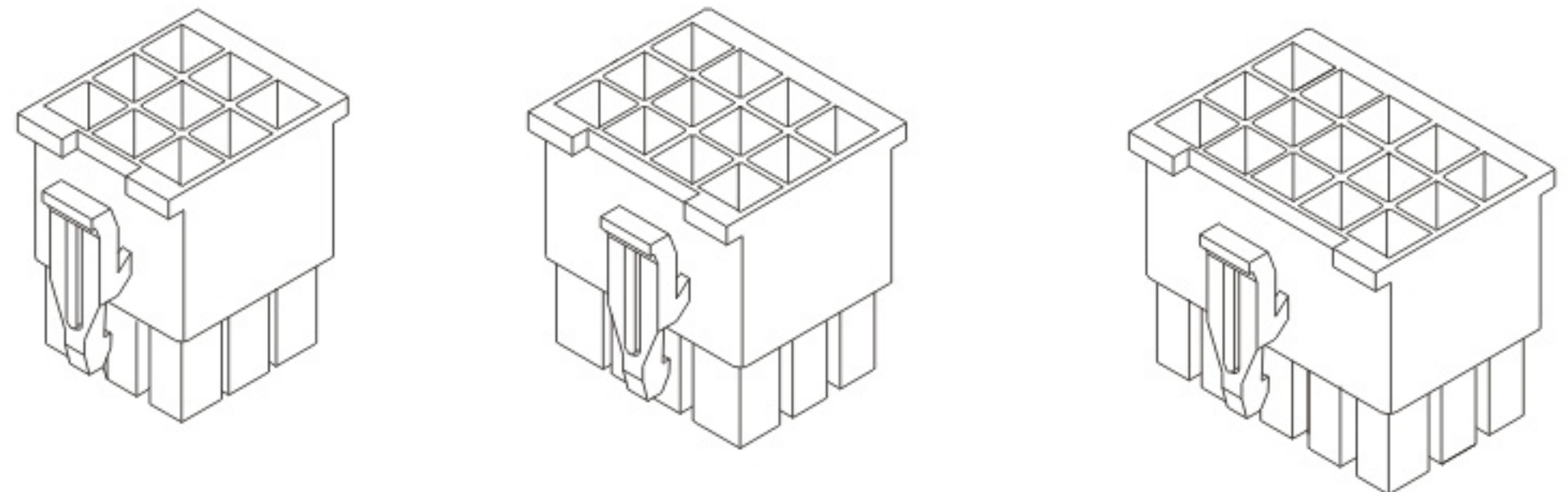
E110H-01 E110H-02 E110H-03 E110H-04(2X2) E110H-06(2X3)



E110H-09(3X3)

E110H-12(3X4)

E110H-15(3X5)



Ordering Information & Dimensions

Circuits	Part No.	DIM.(mm)		
		A	B	C
01	E110H-01	5.6	5.6	24.0
02	E110H-02(2x1)	9.8	5.6	24.0
03	E110H-03(3x1)	14.0	5.6	24.0
04	E110H-04(2x2)	9.8	9.8	24.0

Ordering Information & Dimensions

Circuits	Part No.	DIM.(mm)		
		A	B	C
06	E110H-06(2x3)	9.8	14.0	24.0
09	E110H-09(3x3)	14.0	14.0	24.0
12	E110H-12(3x4)	14.0	18.5	24.0
15	E110H-15(3x5)	14.0	23.0	24.0