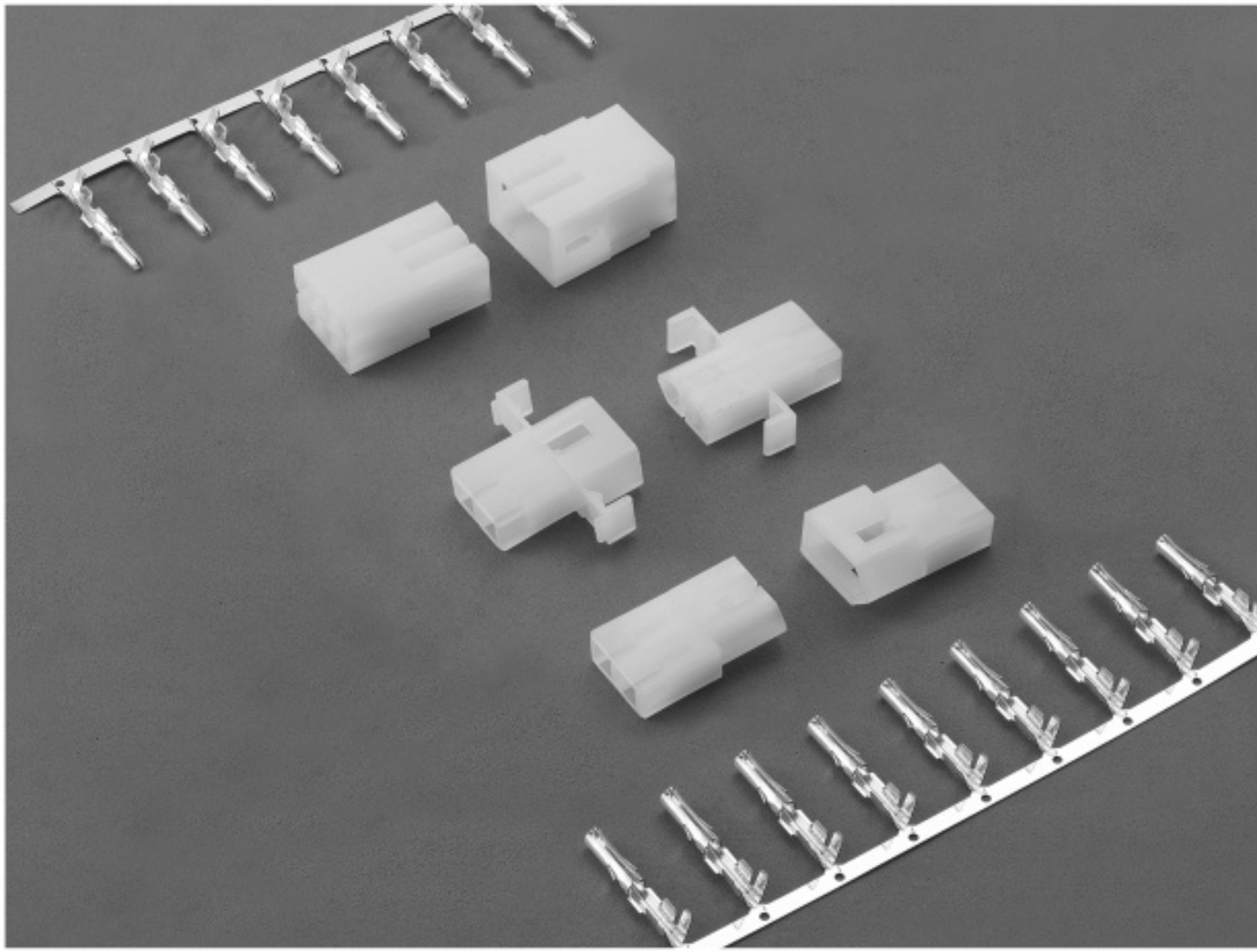


# E023H/E123H E023H-K/E123H-K SERIES 5.03/6.70mm PITCH WIRE TO WIRE CONNECTOR



## Specifications

Current rating: 4.5A AC,DC

Voltage rating: 250V AC,DC

Temperature range: -25°C to +85°C  
(including temperature rise)

Contact resistance: Initial value/ 10m Ω Max.

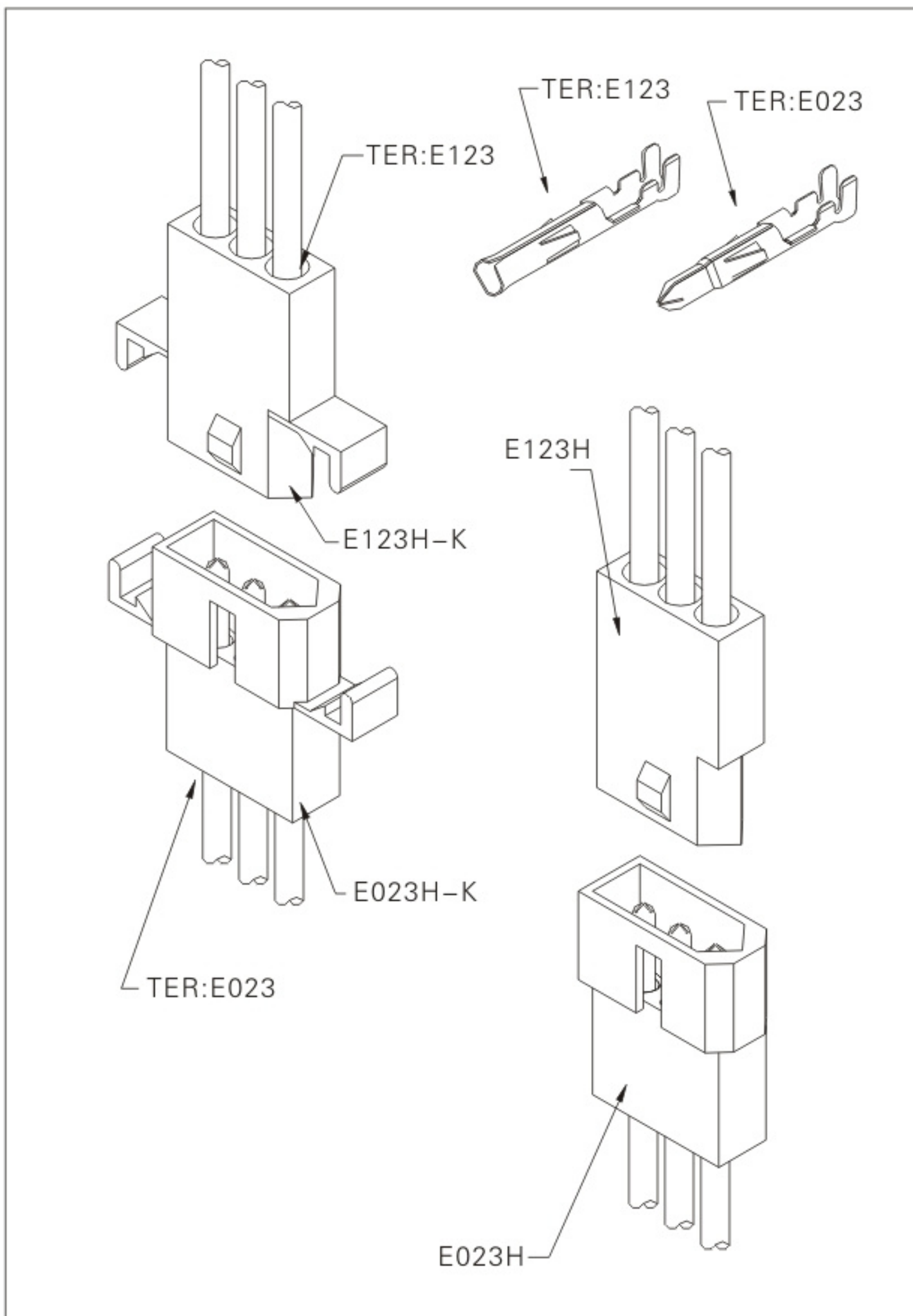
After environmental testing/20m Ω Max.

Insulation resistance: 500 M Ω Min.

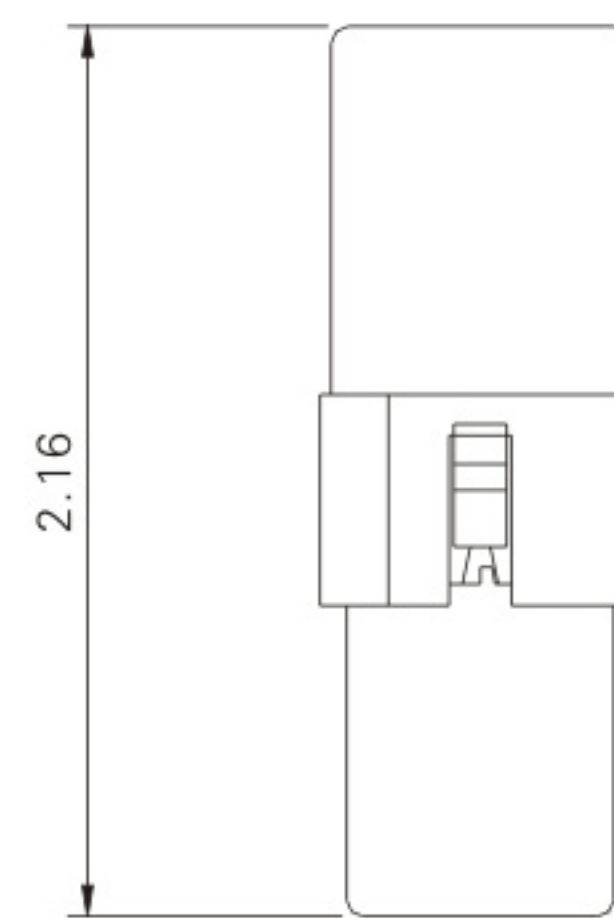
Withstanding voltage: 1500V AC/minute

Applicable wire: T1: AWG#14-#20

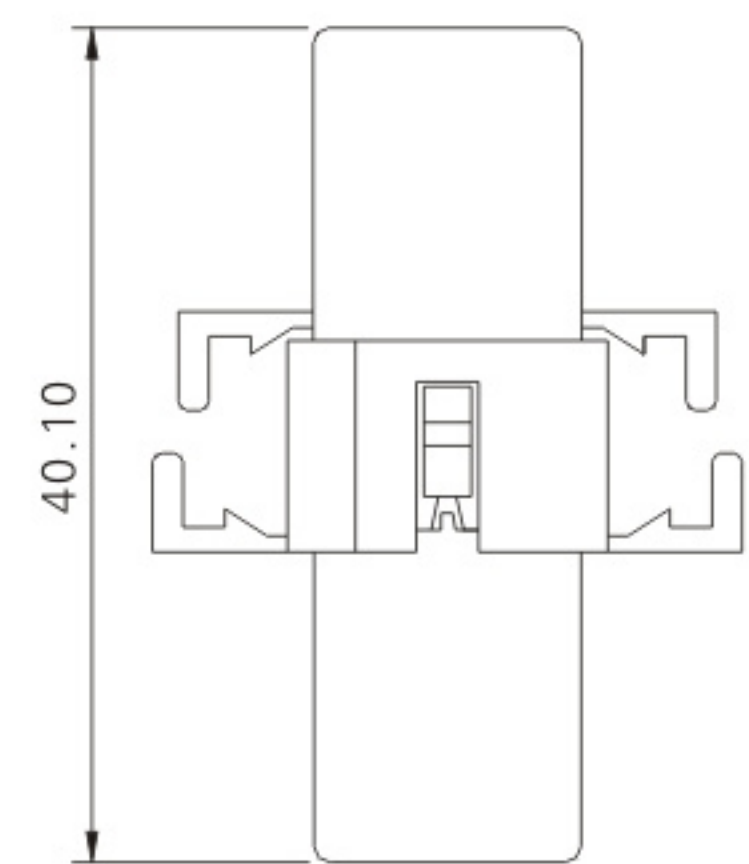
T2: AWG#18-#22



## Assembly layout



E023H  
E123H

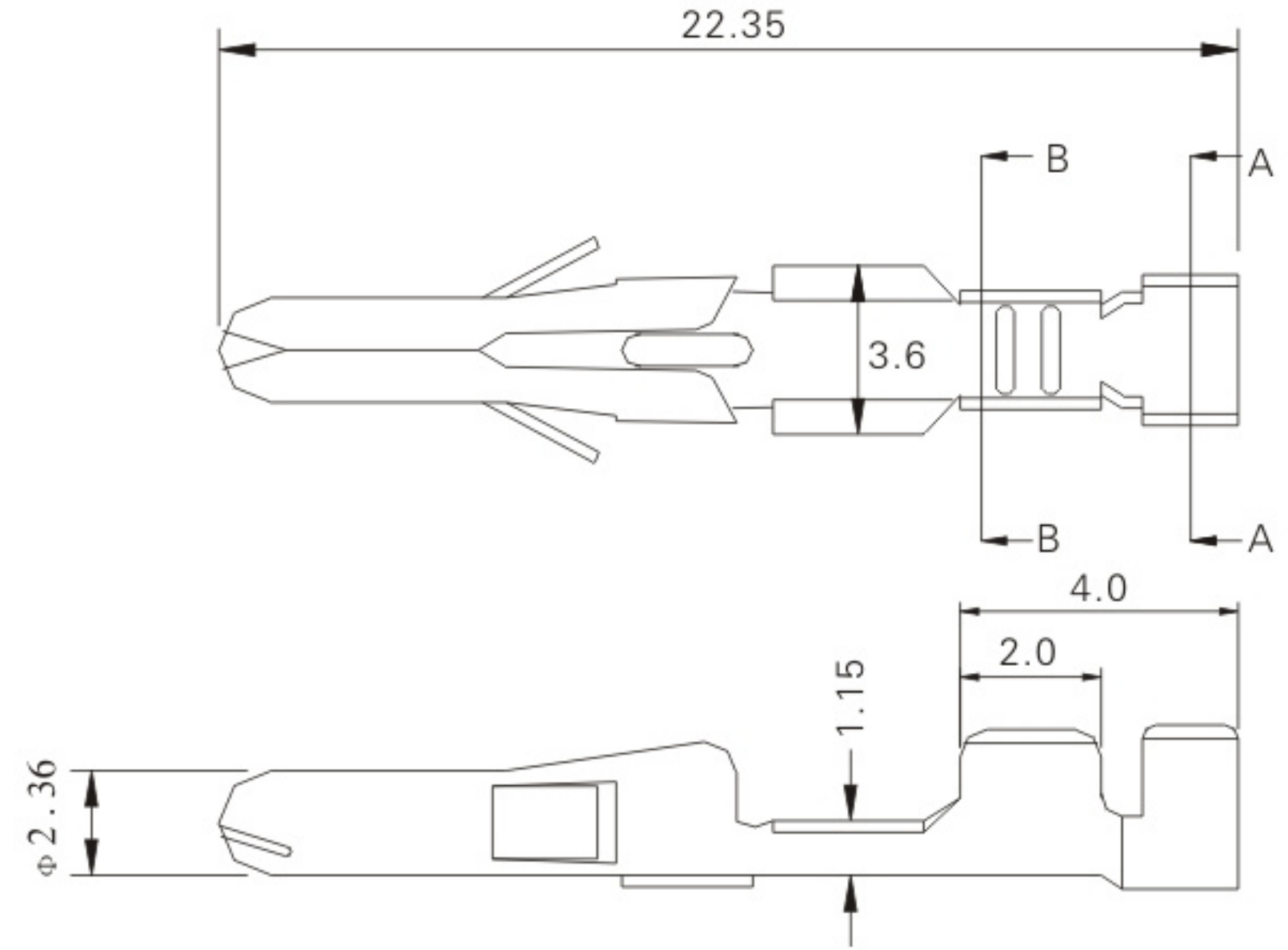
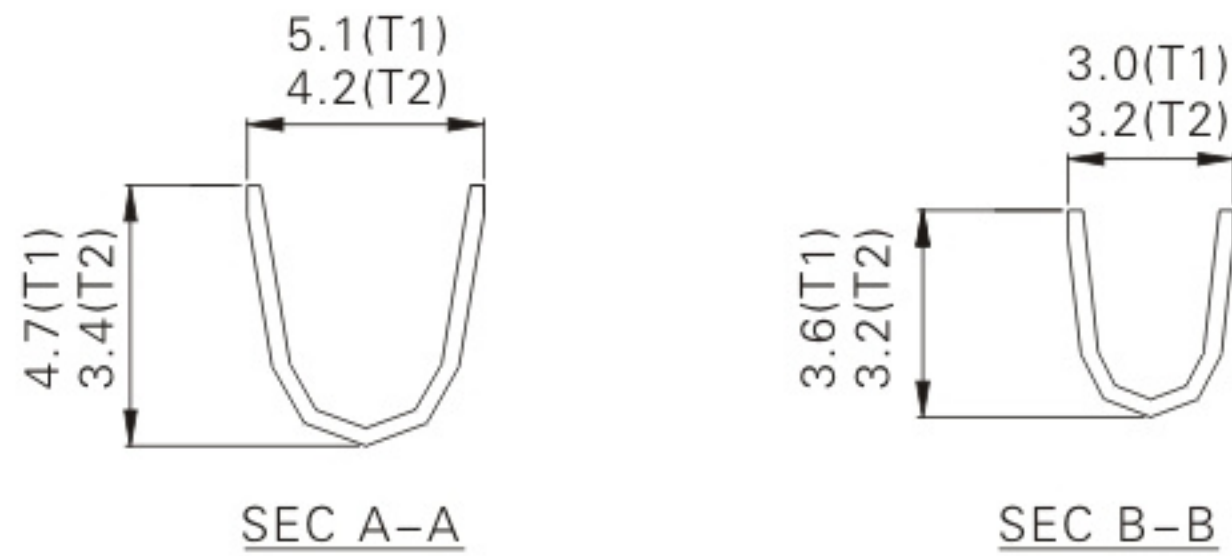


E023H-K  
E123H-K

# E023 (crimp terminal)

## Reference Informations:

- \*Thickness: 0.25mm
- \*Mat'l: Brass Tin Plated
- \*Mates With: E023 series Terminal
- \*Mates With: E123H series Housing



## Ordering Information & Specifications

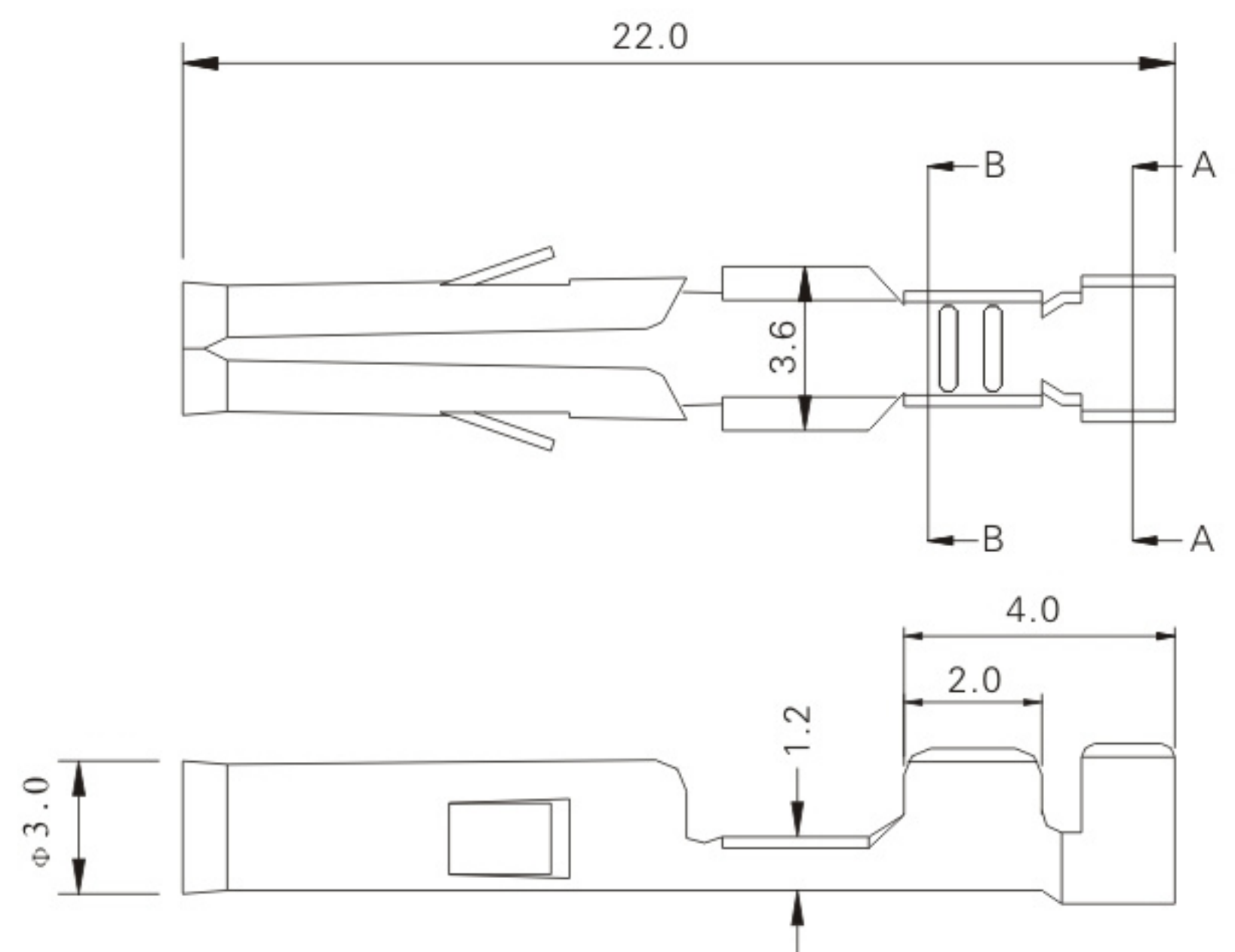
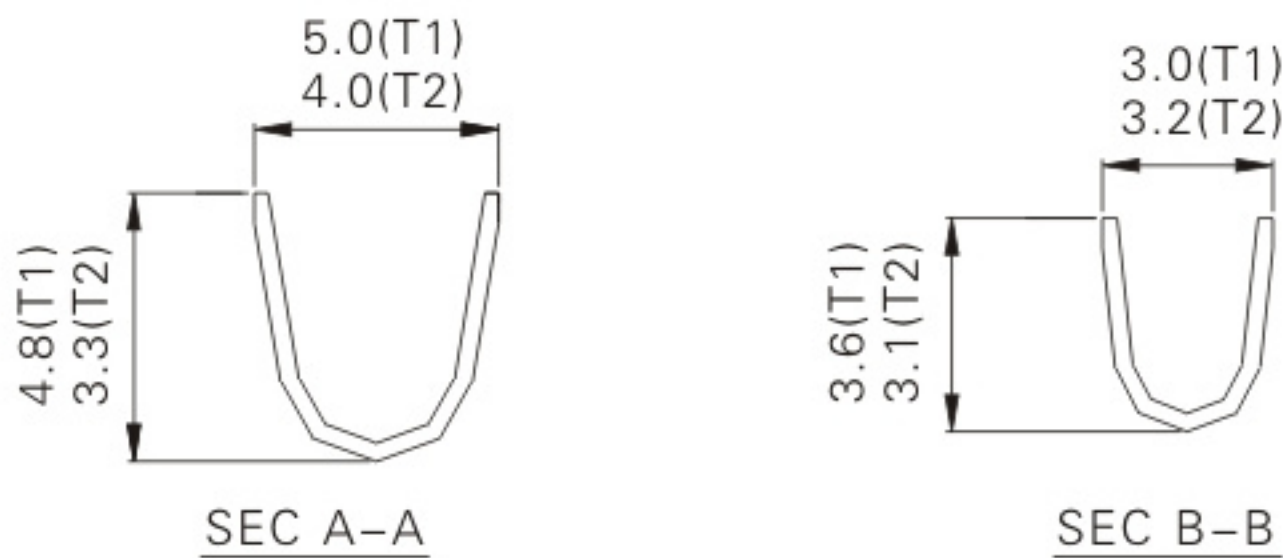
Unit: mm

Part No.	Wire Range	Insulation O.D.	Material	Finish	Qty/reel
E023T1	AWG#14-20	Φ3.6 max	Brass	Tin-plated	3500
E023T2	AWG#18-22	Φ2.8 max	Brass	Tin-plated	5000

# E123 (crimp terminal)

## Reference Informations:

- \*Thickness: 0.25mm
- \*Mat'l: Brass Tin Plated
- \*Mates With: E023 series Terminal
- \*Mates With: E123h series Housing



## Ordering Information & Specifications

Unit: mm

Part No.	Wire Range	Insulation O.D.	Material	Finish	Qty/reel
E123T1	AWG#14-20	Φ3.6 max	Brass	Tin-plated	3500
E123T2	AWG#18-22	Φ2.8 max	Brass	Tin-plated	5000

# E023H E023H-K (5.03mm pitch crimp series housing)

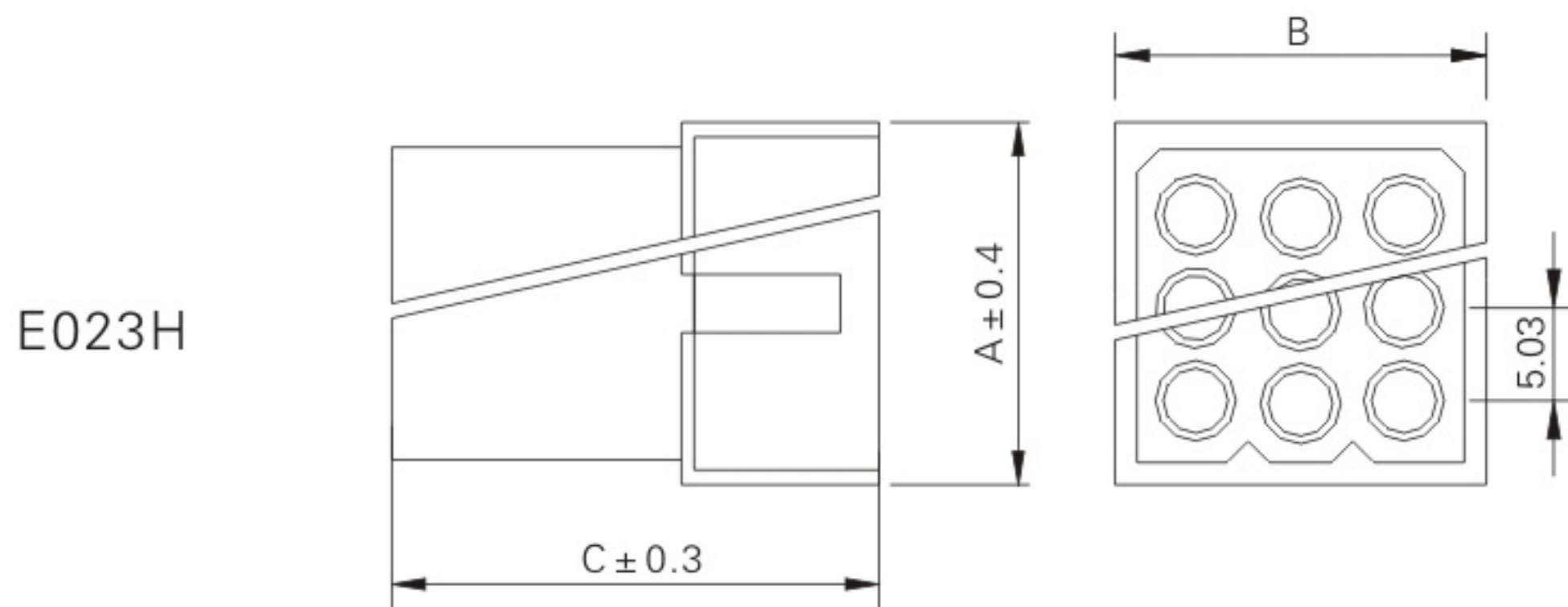
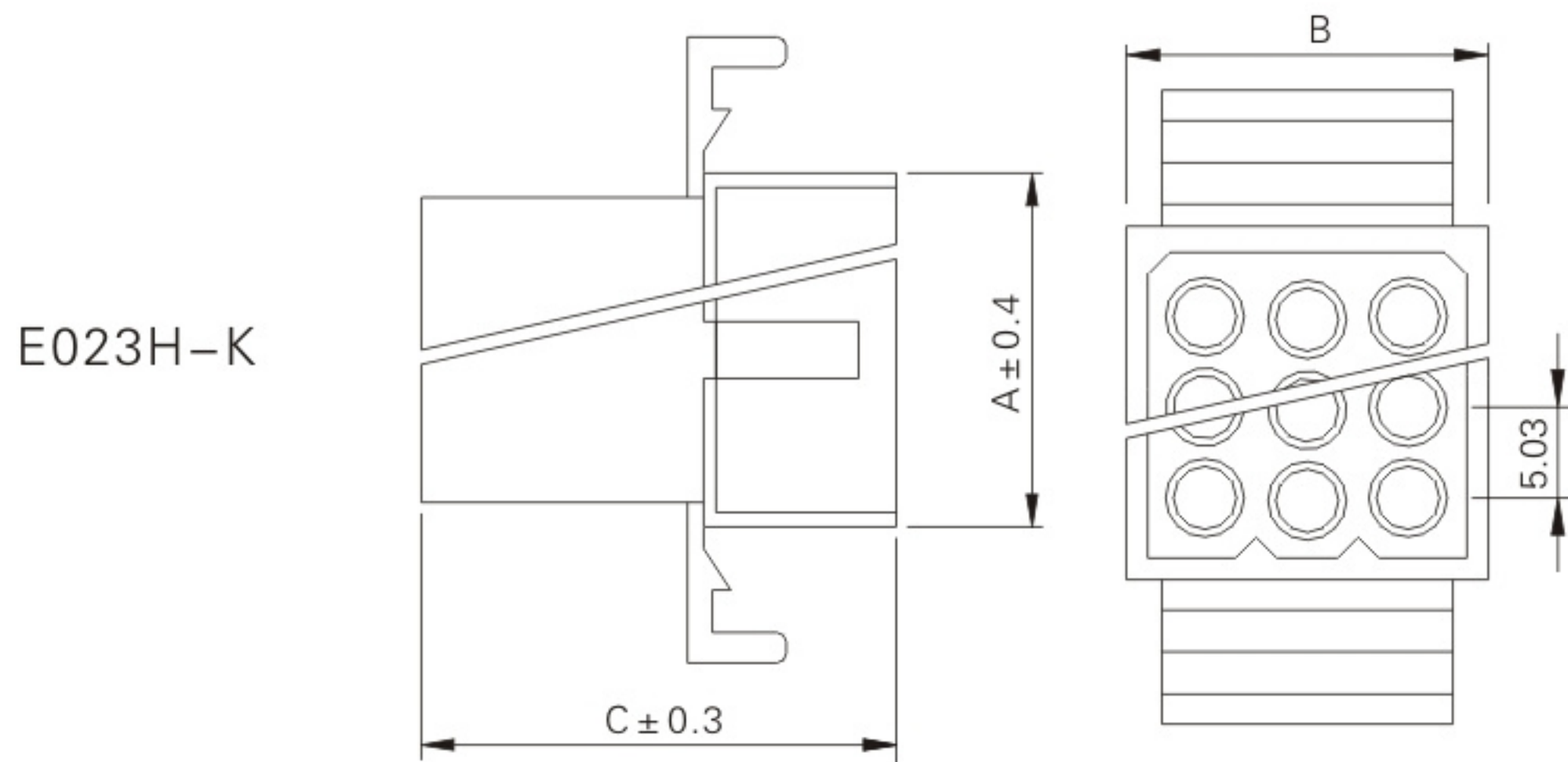
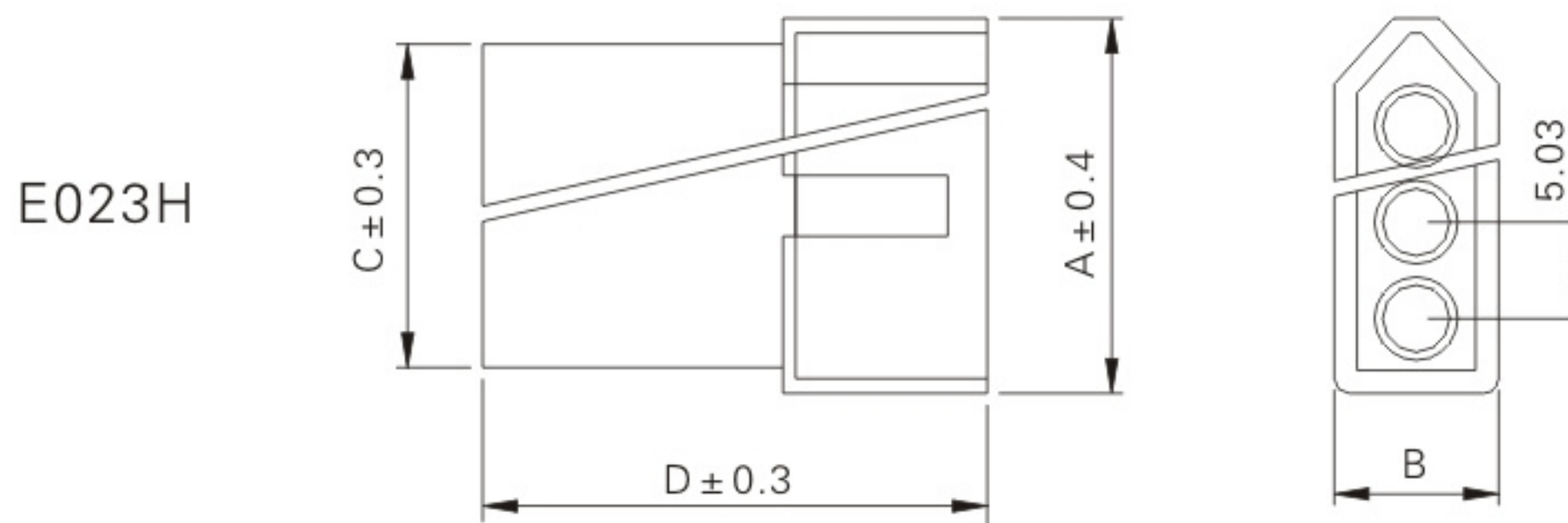
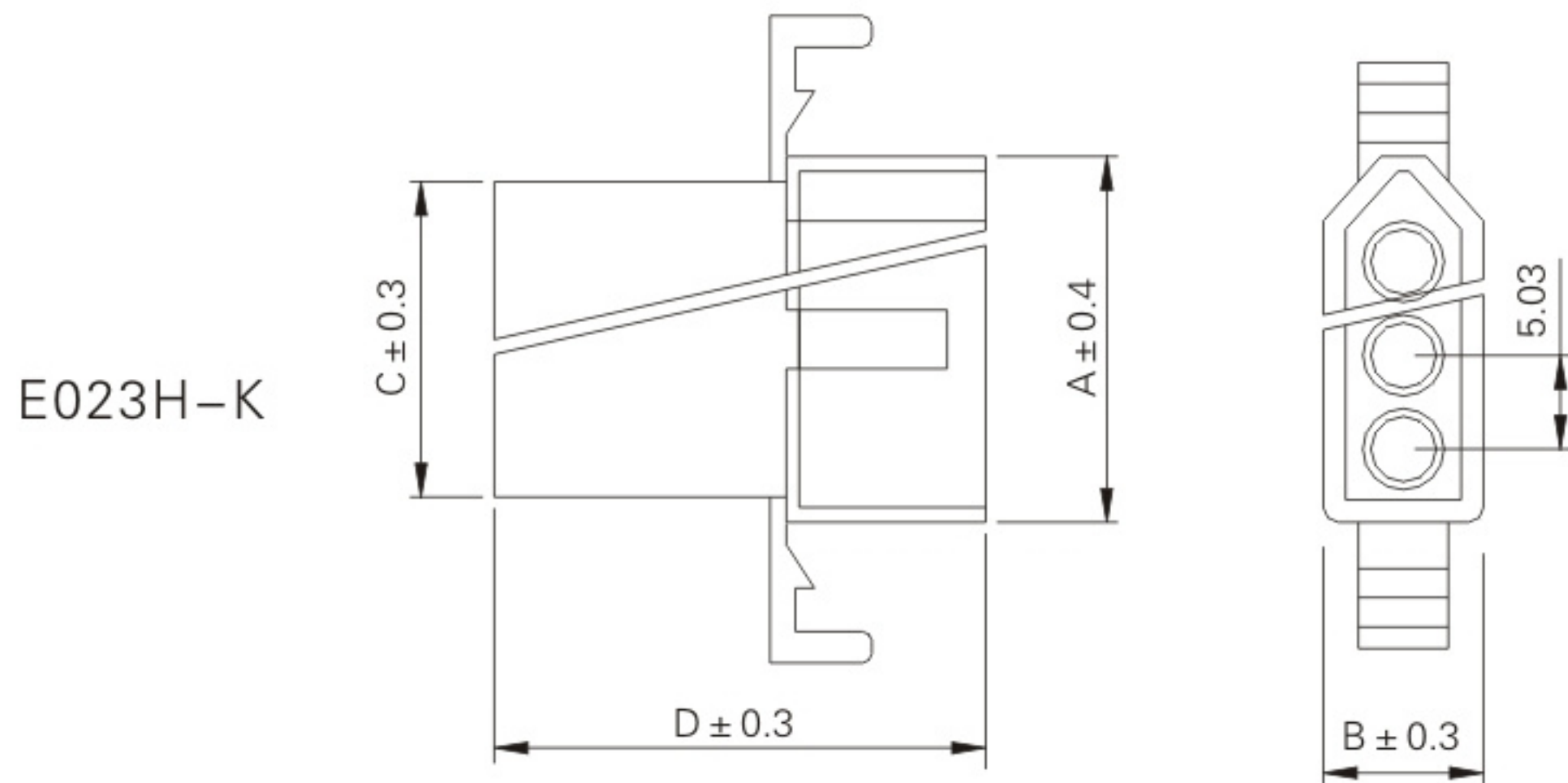
## Reference Informations:

\*Mat'l: Nylon 66 UL94-V2

\*Current Range: 4.5AAC DC

\*Voltage Rating: 250V AC DC

\*Mtes With: E023 & E123 series Terminal



## Ordering Information & Dimensions

Circuits	Part No.	DIM.(mm)			
		A	B	C	D
01	E023H-01	Φ9.1		Φ6.1	24.6
02	E023H-1X2 E023H-1X2K	16.4	8.9	13.6	24.6
03	E023H-1X3 E023H-1X3K	19.6	8.6	16.9	24.6
04	E023H-1X4 E023H-1X4K	24.70	8.6	21.9	24.6

## Ordering Information & Dimensions

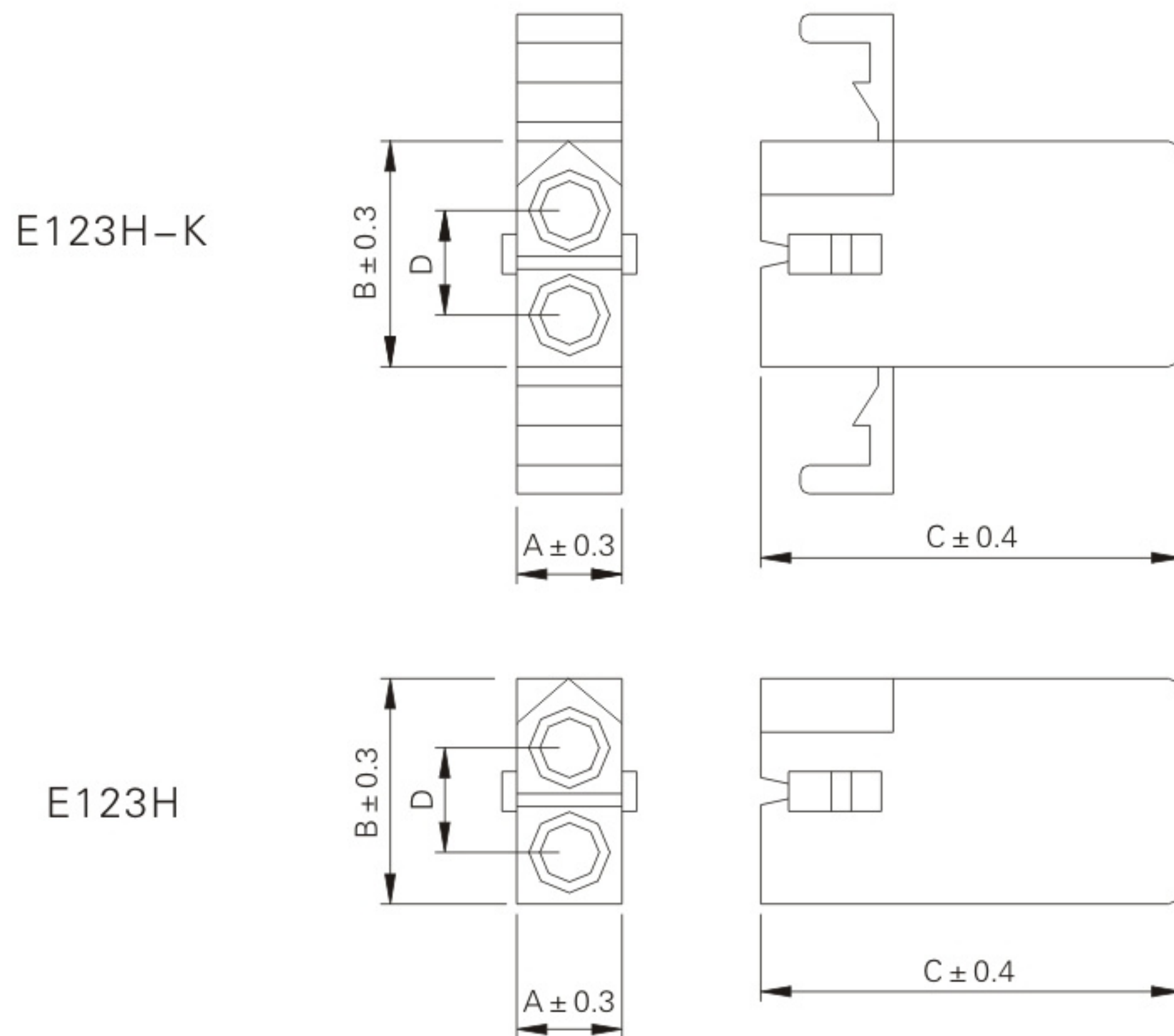
Circuits	Part No.	DIM.(mm)		
		A	B	C
04	E023H-2X2 E023H-2X2K	13.7	13.7	24.1
06	E023H-3X2 E023H-3X2K	13.7	18.6	24.1
09	E023H-3X3 E023H-3X3K	19.8	18.6	24.1
12	E023H-3X4 E023H-3X4K	24.1	18.6	24.1
15	E023H-3X5 E023H-3X5K	29.7	18.6	24.5

# E123H E123H-K (5.03mm pitch crimp series housing)

## Reference Informations:

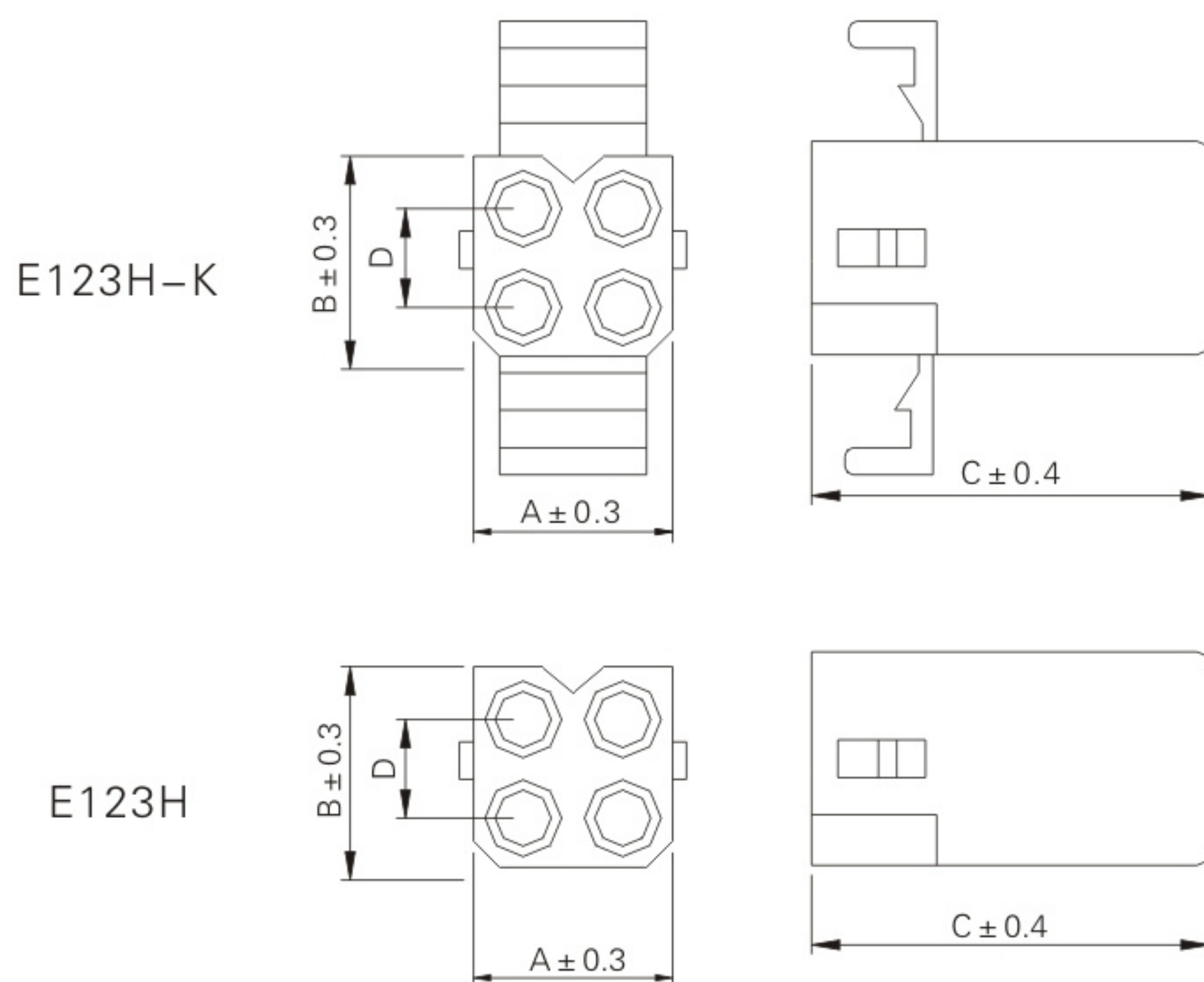
\*Mat'l: Nylon 66 UL94-V2

\*Mtes With : E023 & E123 series Terminal



## Ordering Information & Dimensions

Circuits	Part No.	DIM.(mm)			
		A	B	C	D
01	E123H-1X1	6.0	/	26.6	/
02	E123H-1X2 E123H-1X2K	6.3	13.6	25.4	5.03
03	E123H-1X3 E123H-1X3K	6.3	17.0	25.8	5.03
04	E123H-1X4 E123H-1X4K	6.0	22.0	25.8	5.03



## Ordering Information & Dimensions

Circuits	Part No.	DIM.(mm)			
		A	B	C	D
04	E123H-2X2 E123H-2X2K	11.00	11.00	25.7	5.03
06	E123H-3X2 E123H-3X2K	16.05	11.00	25.7	5.03
09	E123H-3X3 E123H-3X3K	16.05	17.2	25.7	5.03
12	E123H-3X4 E123H-3X4K	16.05	22.1	25.7	5.03
15	E123H-3X5 E123H-3X5K	16.05	27.1	25.7	5.03