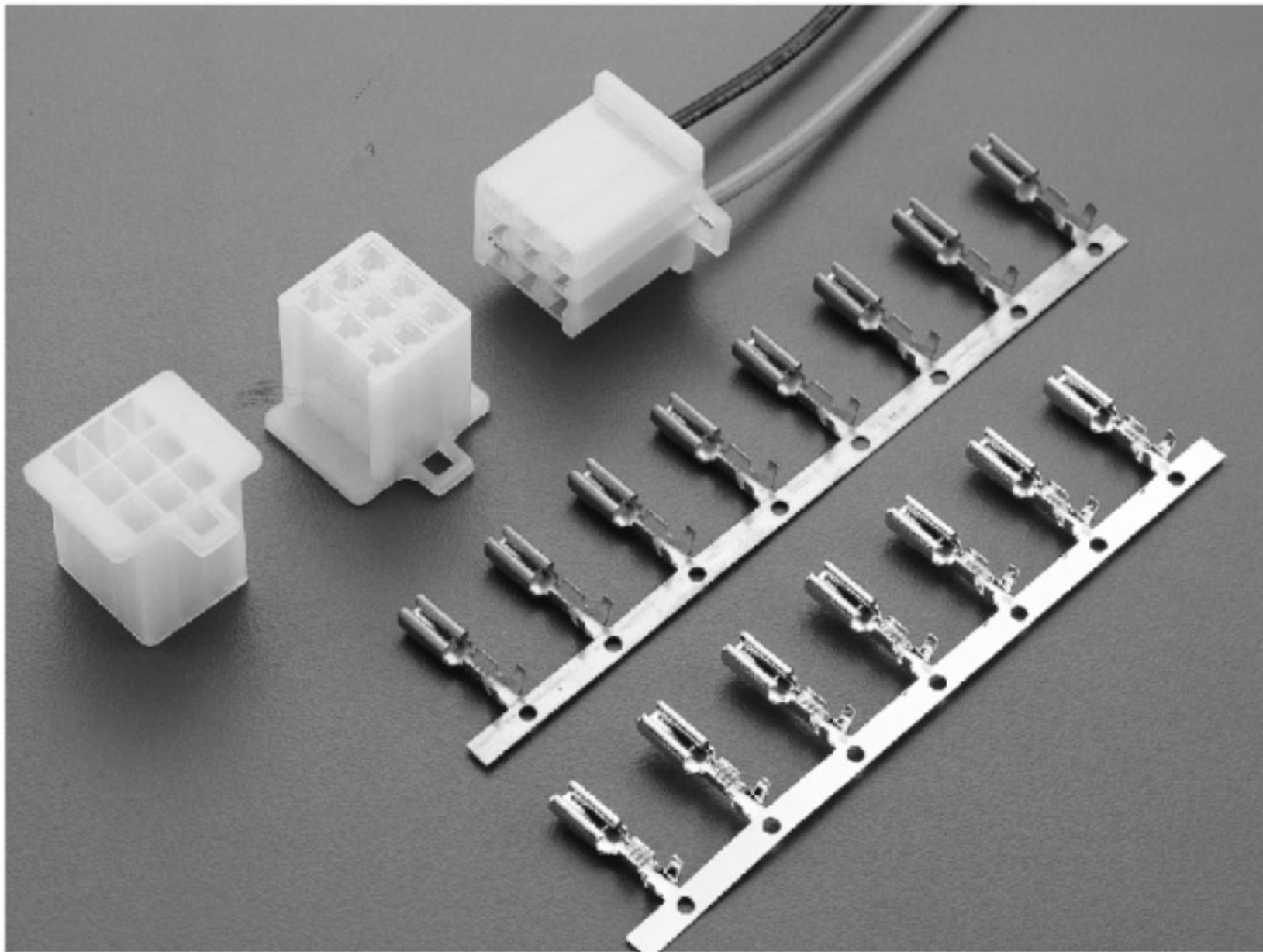


E738H-K/E631H-K SERIES

4.0mm PITCH WIRE TO WIRE CONNECTOR



Specifications

Current rating: 3A AC,DC

Voltage rating: 250V AC,DC

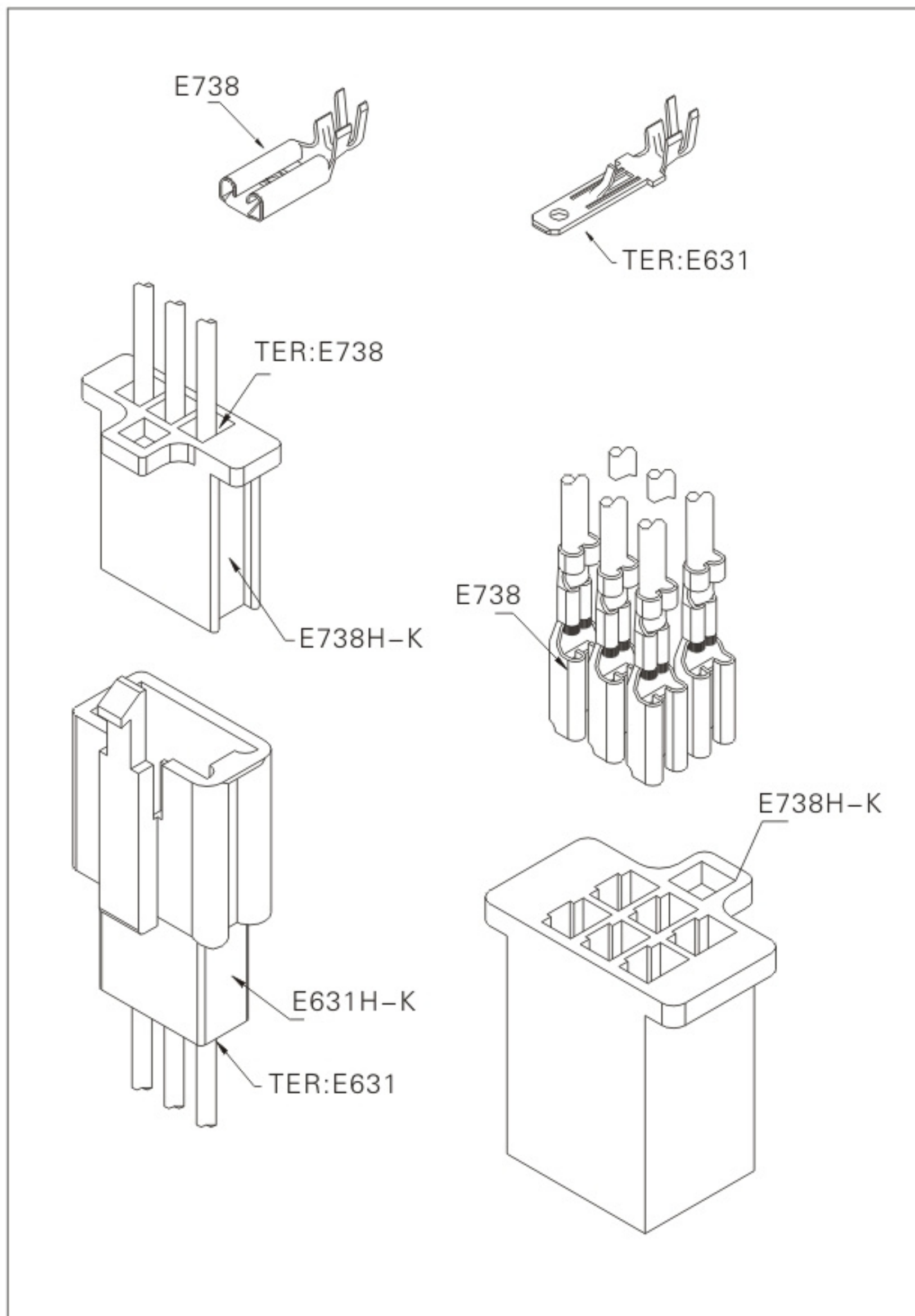
Temperature range: -25°C to +85°C
(including temperature rise)

Contact resistance: Initial value/ 10m Ω Max.
After environmental testing/20m Ω Max.

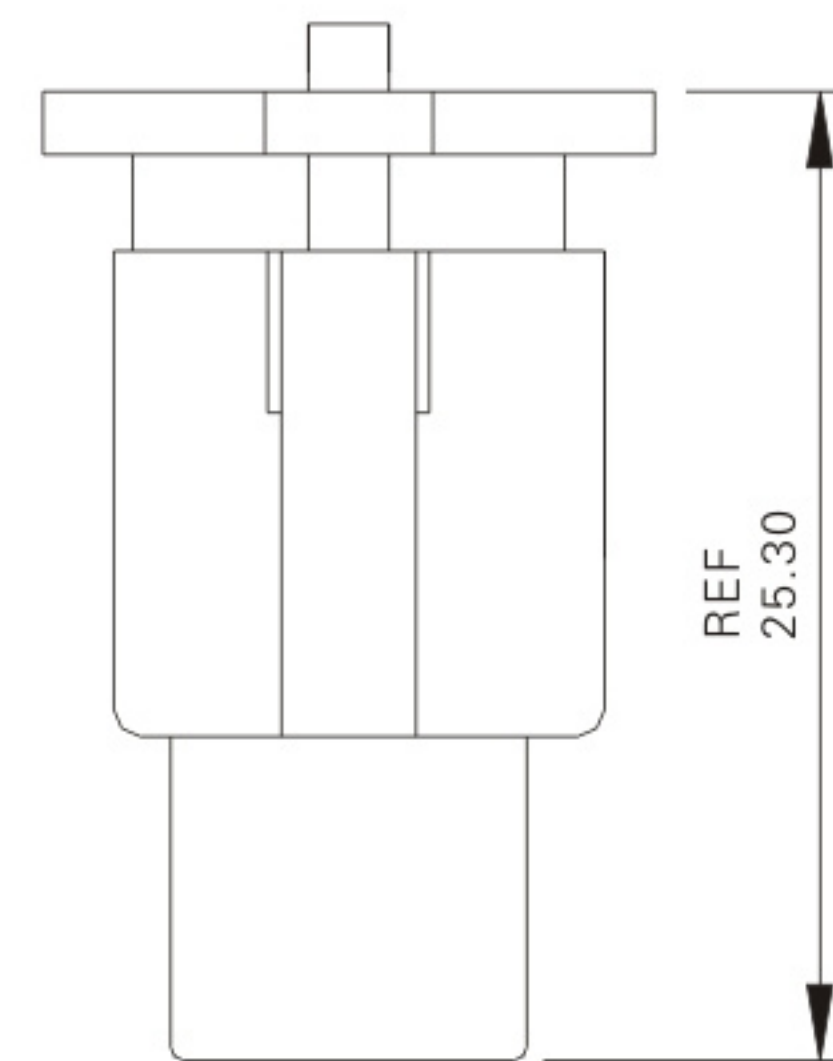
Insulation resistance: 500M Ω Min.

Withstanding voltage: 1000V AC/minute

Applicable wire: AWG#18-#22



Assembly layout



WIRE TO WIRE

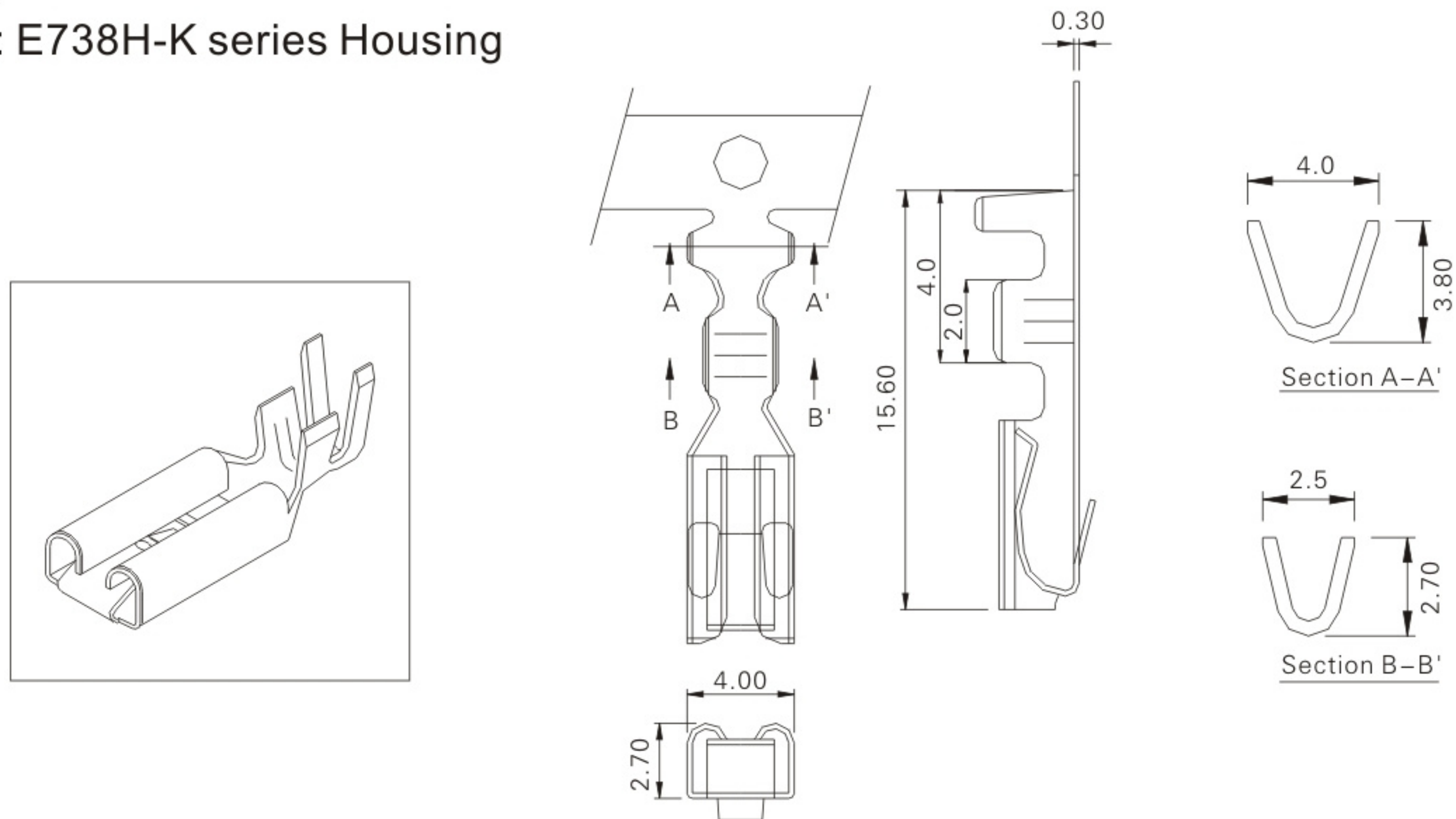
E738 (electric & motor parts terminal)

Reference Informations:

*Thickness: 0.3mm

*Mat'l: Brass

*Mates With: E738H-K series Housing



Ordering Information & Specifications

Unit: mm

Part No.	Wire Range	Insulation O.D.	Material	Finish	Qty/reel
E738	AWG#18-#22	Φ 1.5~Φ2.0	Brass		5000

E738H-K (4.0mm pitch housing)

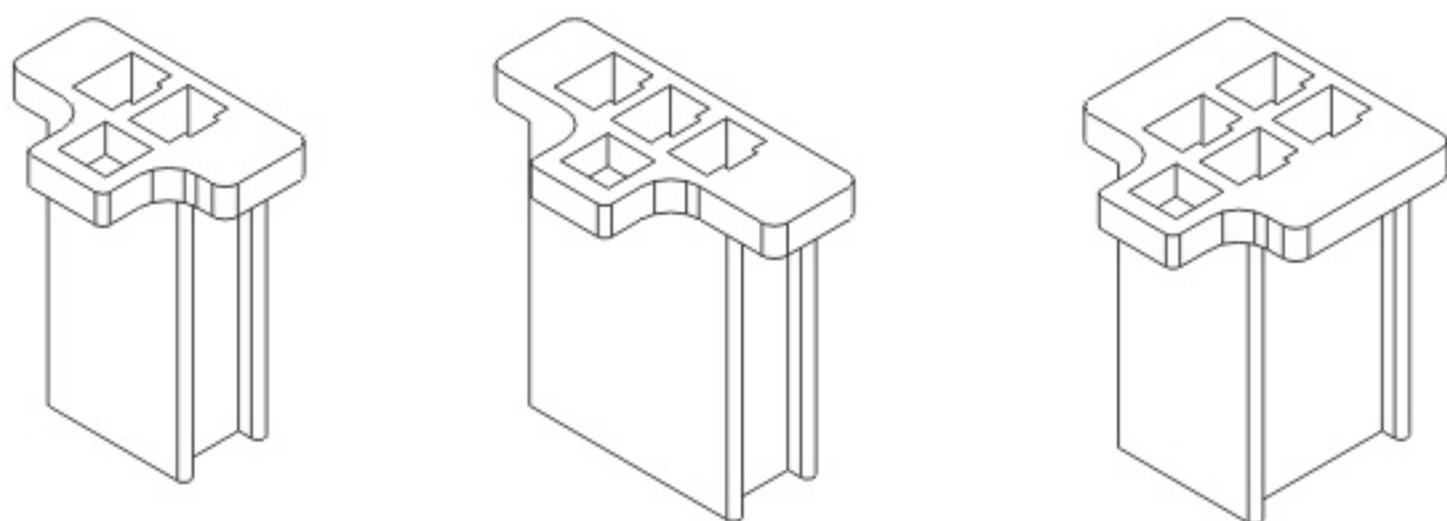
Reference Informations:

*Mat'l: Nylon 66 UL 94V-2

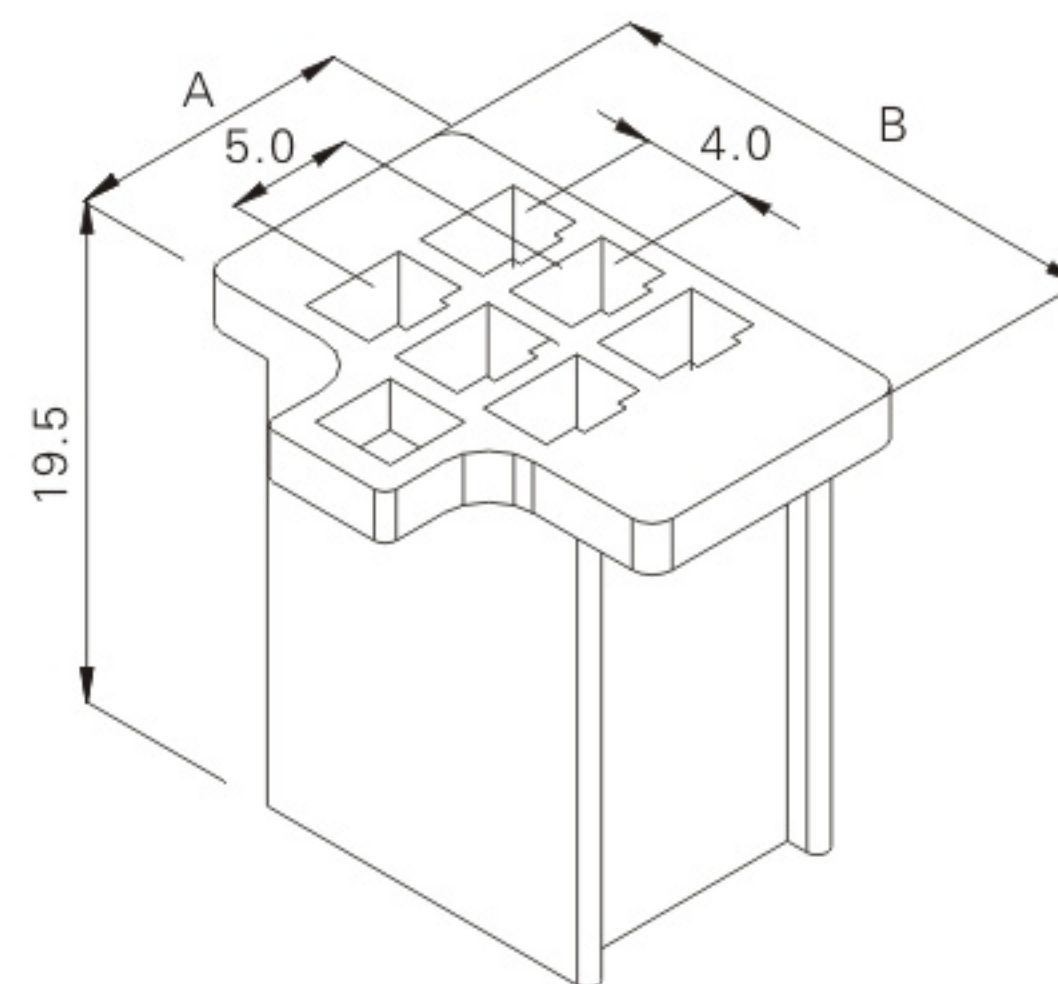
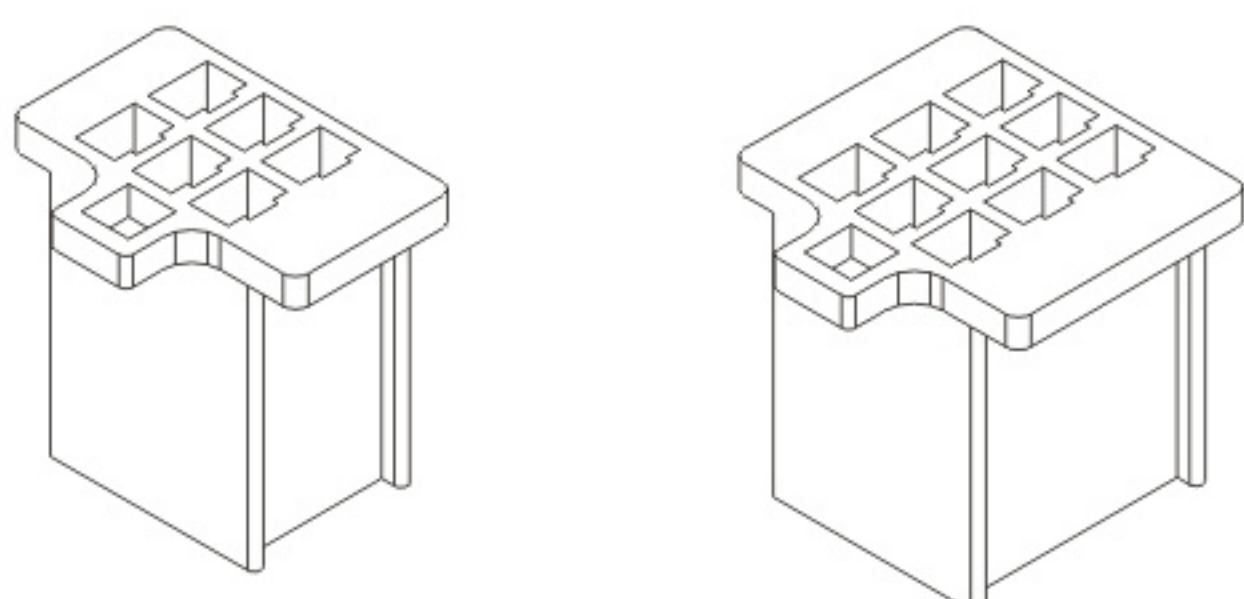
*Mates With: E738 series Terminal

*Accepts With: E631-K series Housing

E738H-02K E738H-03K E738H-04K
(2X2)



E738H-06K E738H-09K
(2X3) (3X3)



Ordering Information & Dimensions

Circuits	Part No.	DIM.(mm)	
		A	B
02	E738H-02K(1X2)	6.2	16.4
03	E738H-03K(1X3)	6.2	20.4
04	E738H-04K(2X2)	11.2	16.4
06	E738H-06K(2X3)	11.2	20.4
09	E738H-09K(3X3)	16.2	20.4