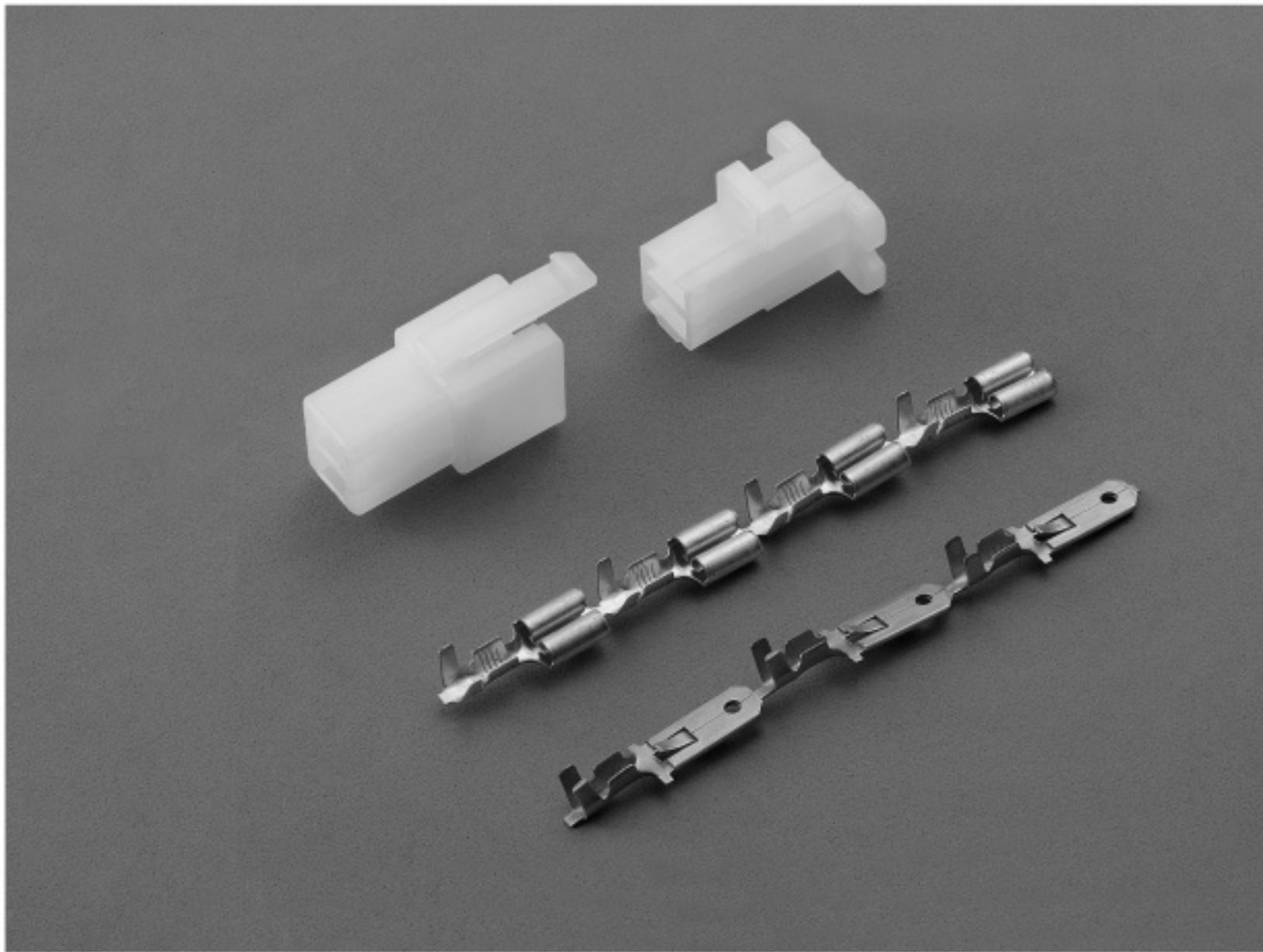


E761H-K/E661H-K SERIES



Specifications

Current rating: 5A AC,DC

Voltage rating: 250V AC,DC

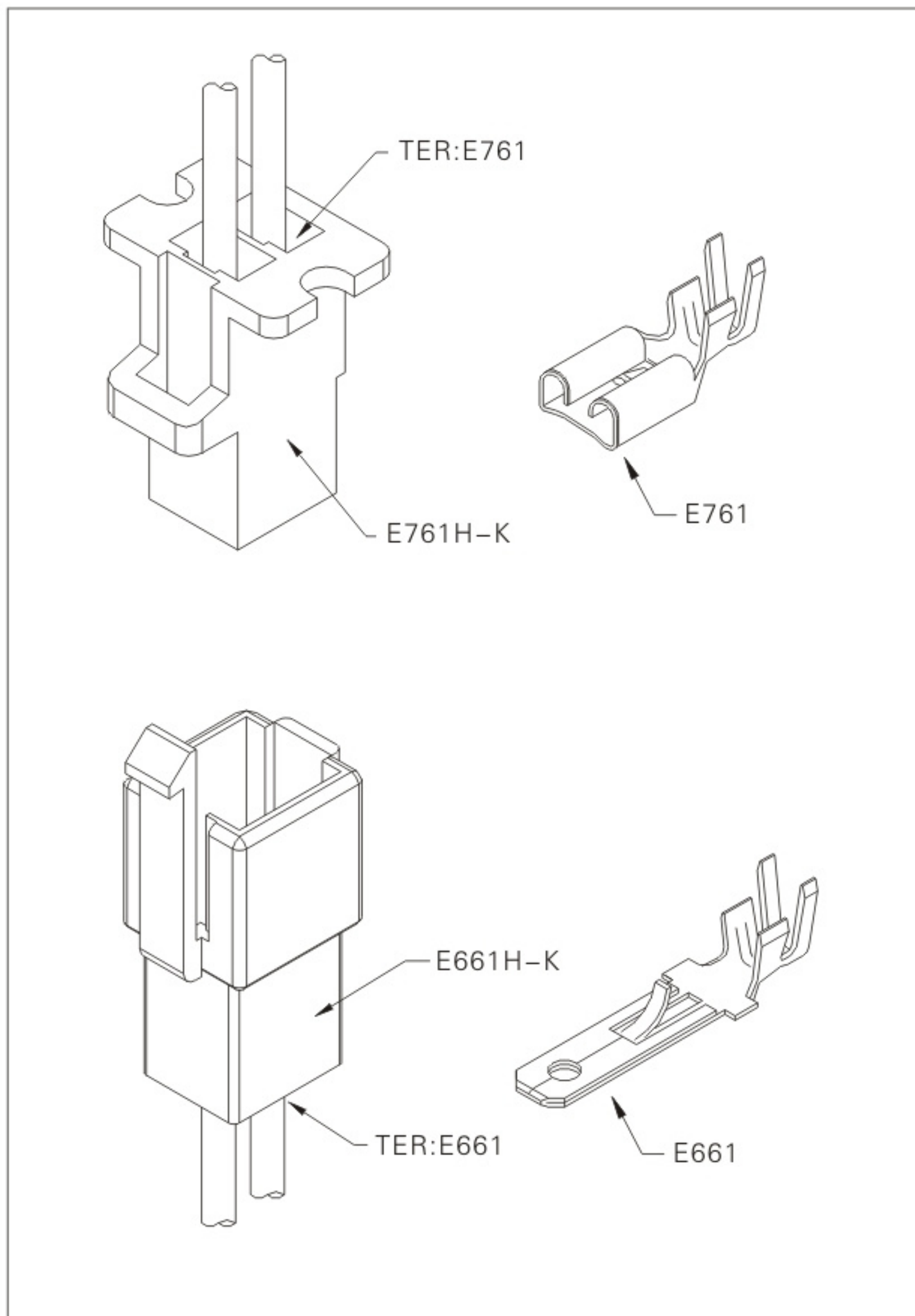
Temperature range: - 25°C to +85°C
(including temperature rise)

Contact resistance: Initial value/ 10m Ω Max.
After environmental testing/20m Ω Max.

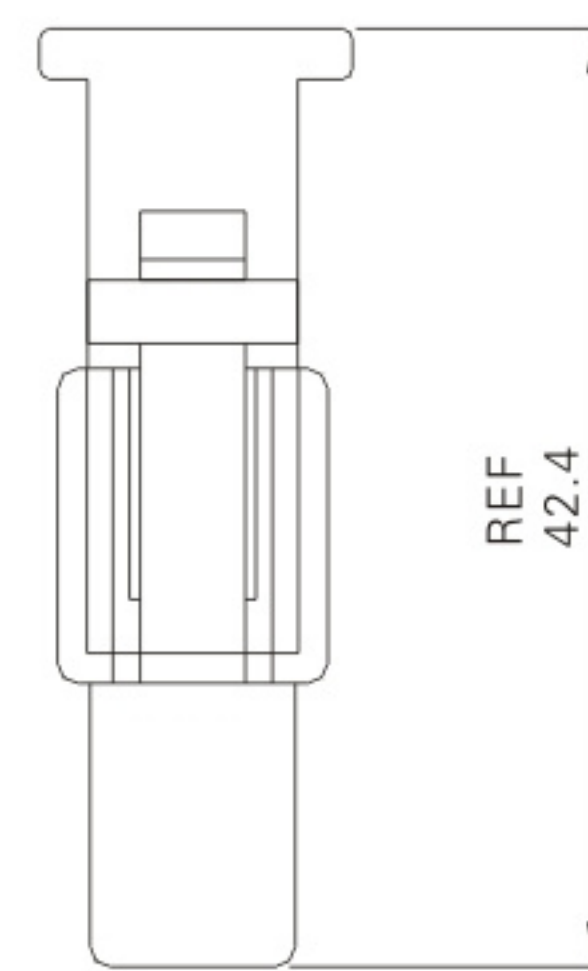
Insulation resistance: 500M Ω Min.

Withstanding voltage: 1500V AC/minute

Applicable wire: AWG#18-#22



Assembly layout



E761H-K (9.0mm pitch housing)

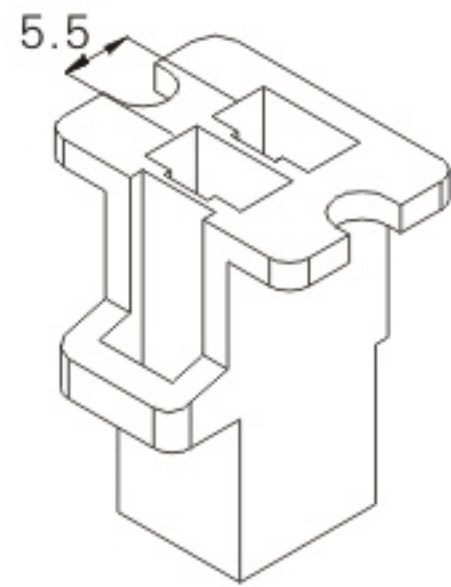
Reference Informations:

*Mat'l: Nylon 66 UL 94V-2

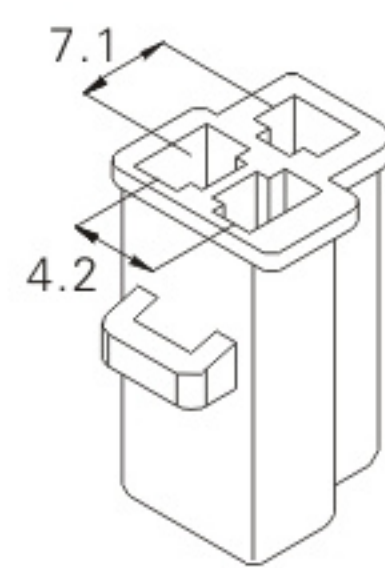
*Mates With: E761 series Terminal

*Mates With: E661H-K series Housing

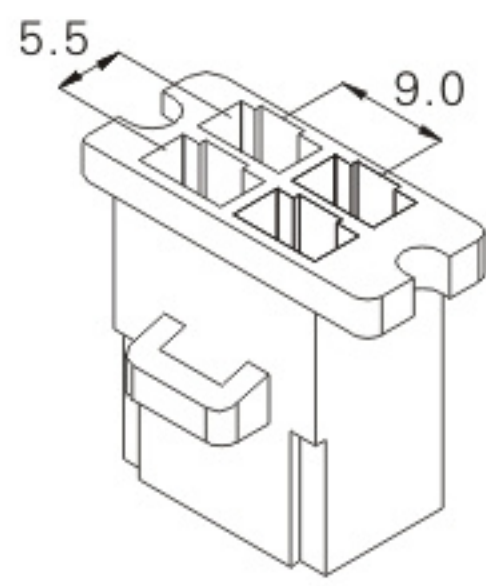
E761H-02K



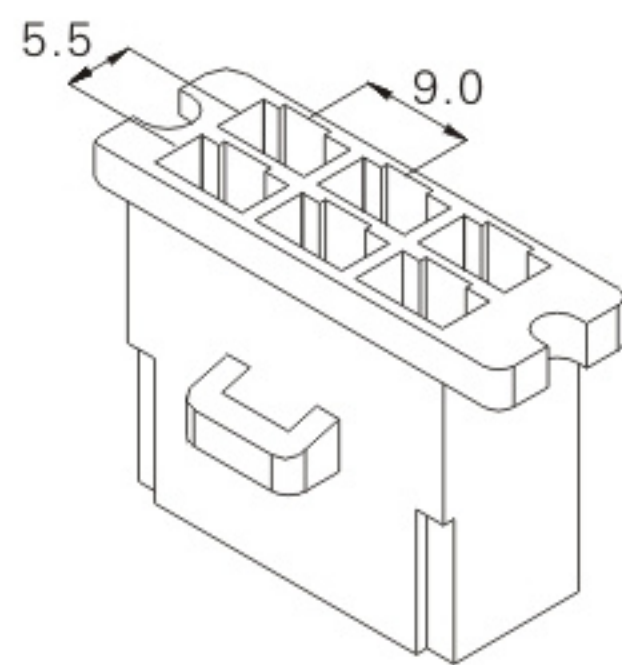
E761H-03K



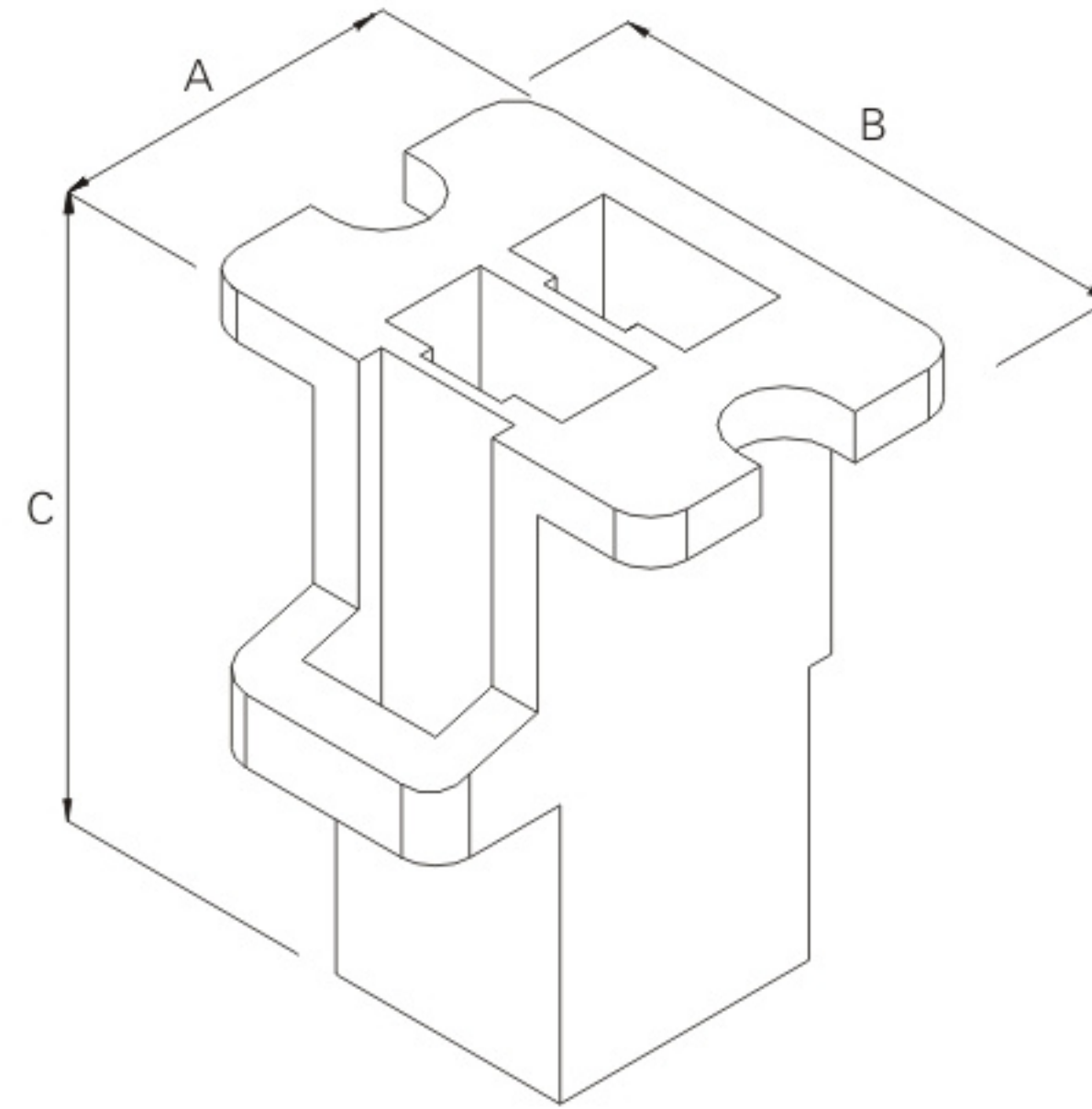
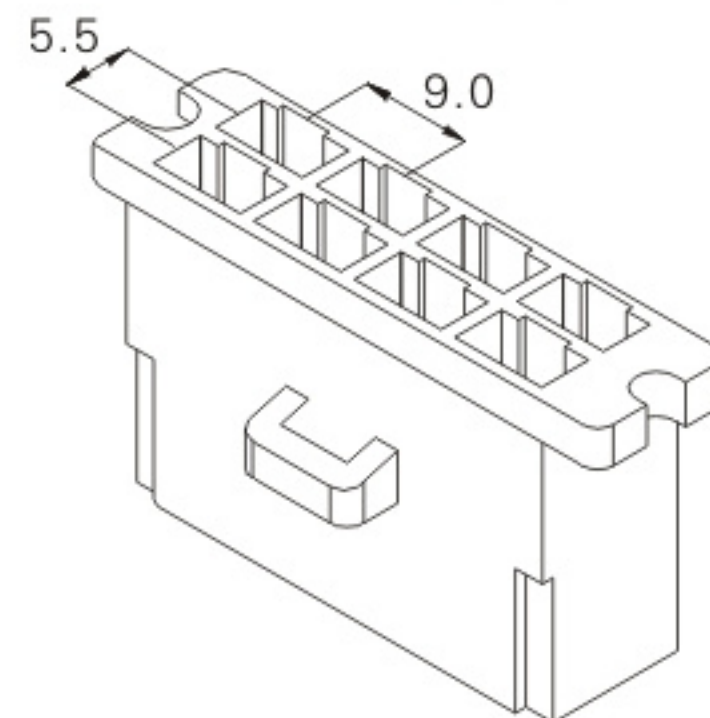
E761H-04K(2X2)



E761H-06K(2X3)



E761H-08K(2X4)



Ordering Information & Dimensions

Circuits	Part No.	DIM.(mm)		
		A	B	C
02	E761H-02K	14.0	20.0	25.0
03	E761H-03K	17.5	13.0	25.0
04	E761H-04K(2X2)	14.0	19.0	25.0
06	E761H-06K(2X3)	14.0	37.6	25.0
08	E761H-08K(2X4)	14.0	47.1	25.0

E661H-K (9.0mm pitch housing)

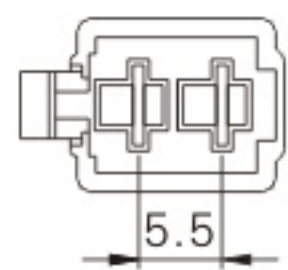
Reference Informations:

*Mat'l: Nylon 66 UL 94V-2

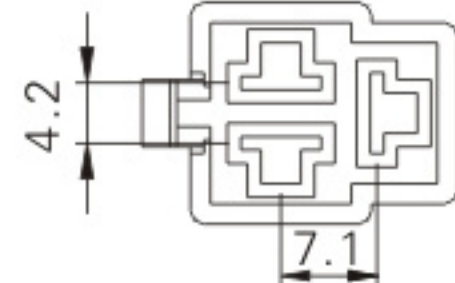
*Mates With: E661 series Terminal

*Mates With: E761H-K series Housing

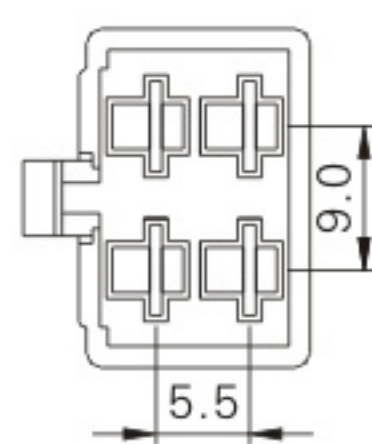
E661H-02K



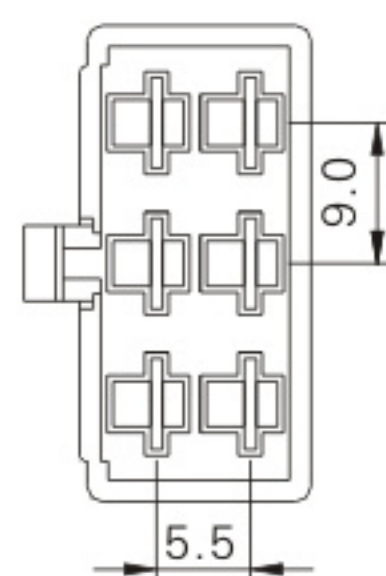
E661H-03K



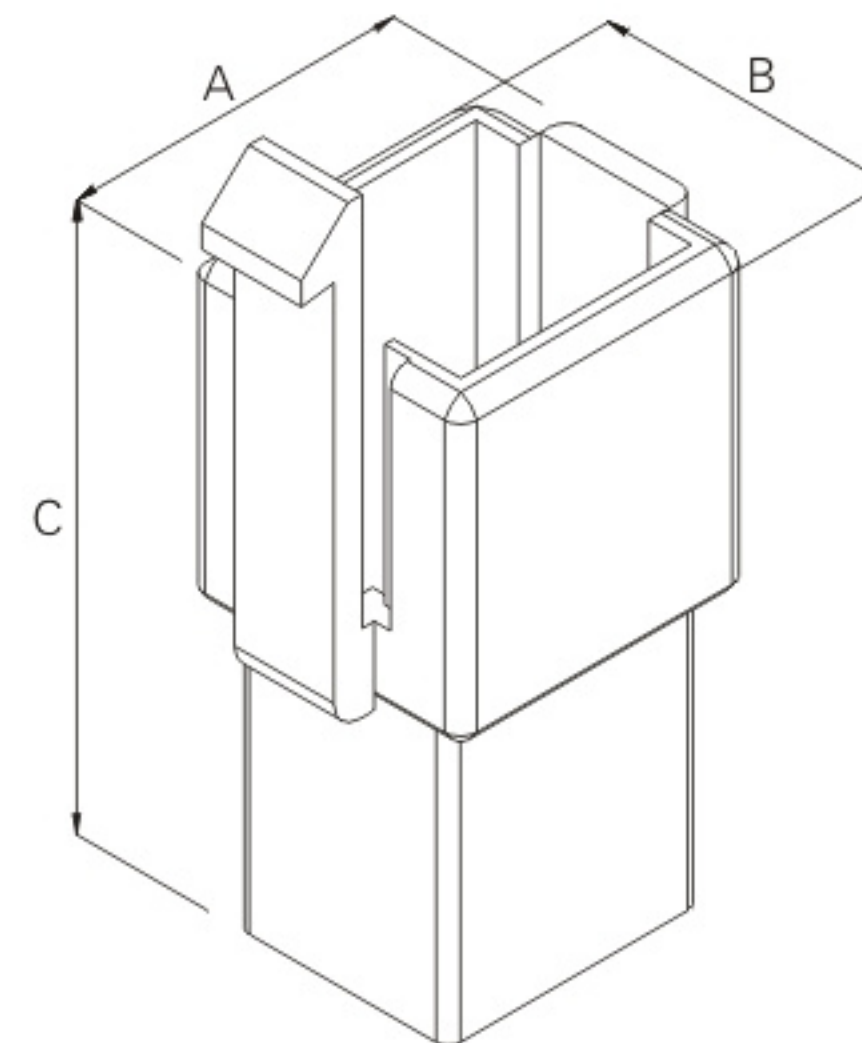
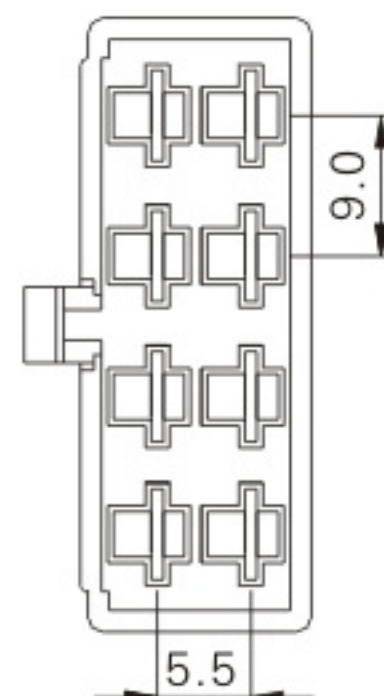
E661H-04K(2X2)



E661H-06K(2X3)



E661H-08K(2X4)



Ordering Information & Dimensions

Circuits	Part No.	DIM.(mm)		
		A	B	C
02	E661H-02K	15.6	13.5	28.5
03	E661H-03K	20.5	16.5	28.5
04	E661H-04K(2X2)	15.6	22.8	28.5
06	E661H-06K(2X3)	15.6	31.5	28.5
08	E661H-08K(2X4)	15.6	40.6	28.5