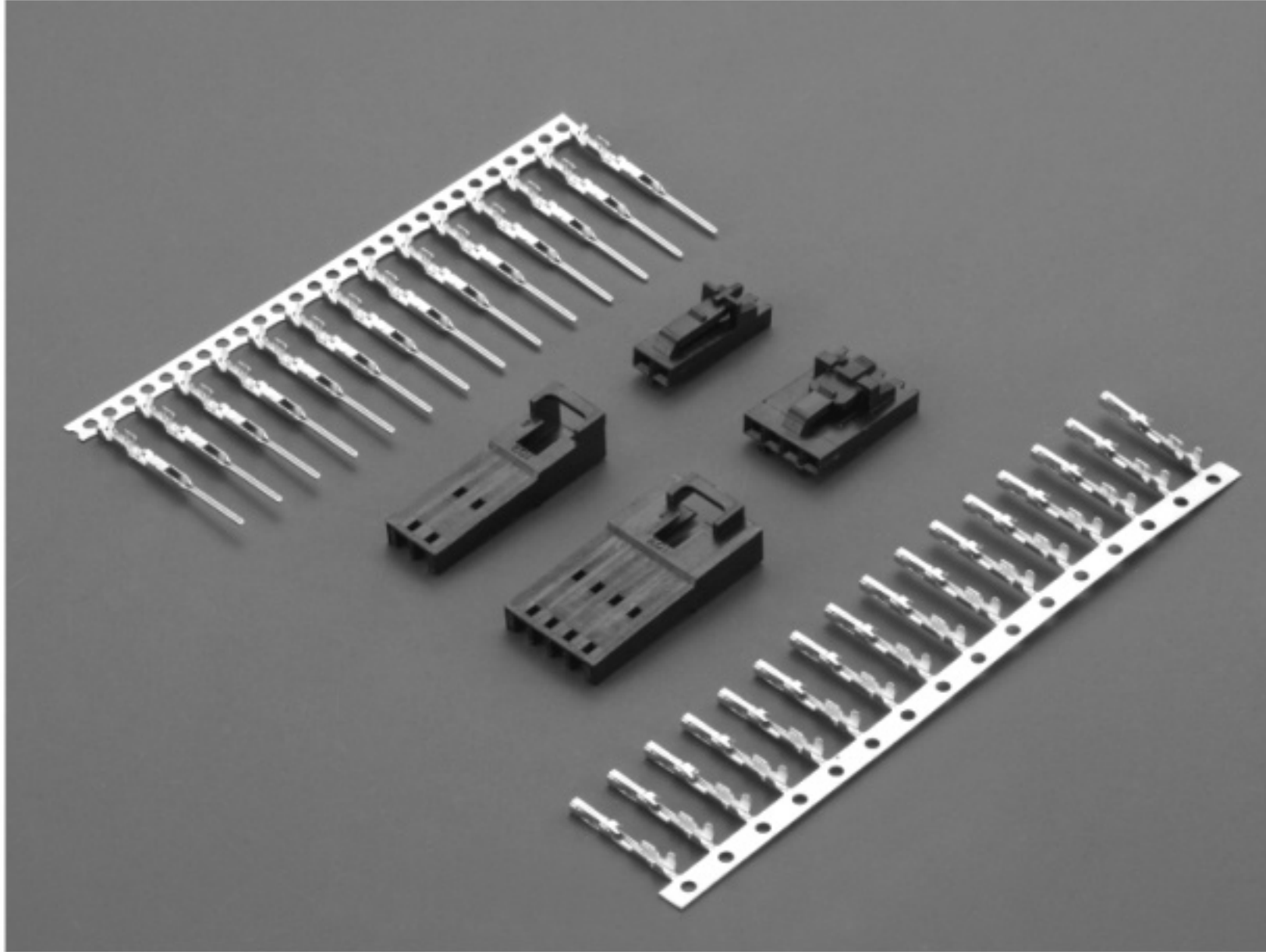


# 2550HK/2550CH SERIES

2.54mm PITCH WIRE TO WIRE CONNECTOR



## Specifications

Current rating: 1A AC,DC

Voltage rating: 250V AC,DC

Temperature range: -25°C to +85°C

(including temperature rise)

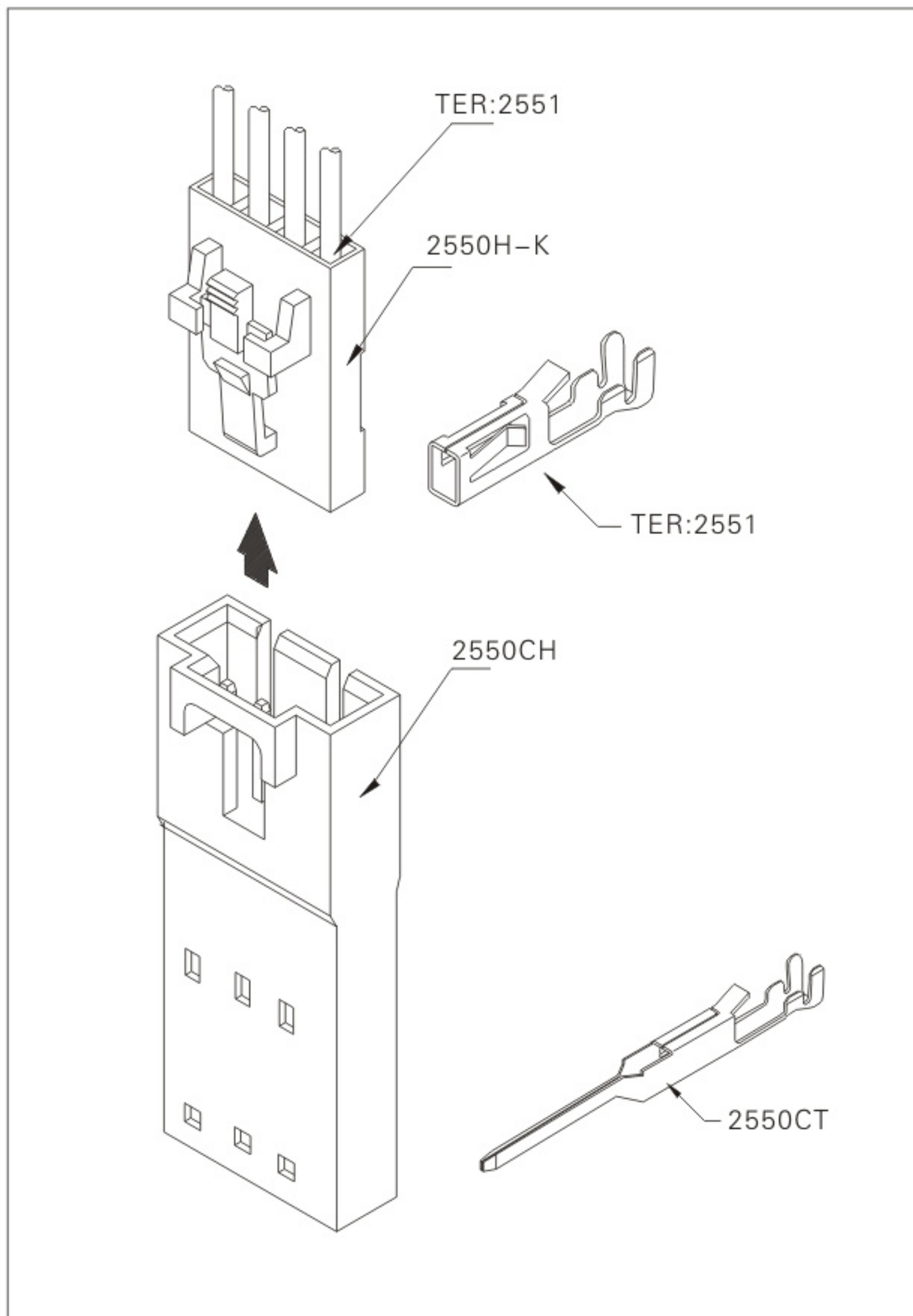
Contact resistance: Initial value/ 10m Ω Max.

After environmental testing/20m Ω Max.

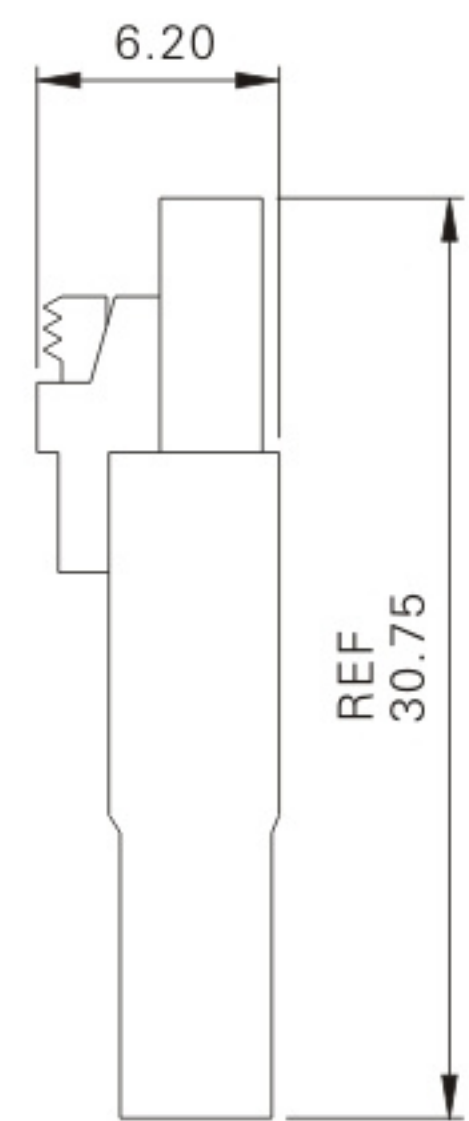
Insulation resistance: 1000 M Ω Min.

Withstanding voltage: 1000V AC/minute

Applicable wire: AWG#24-#28



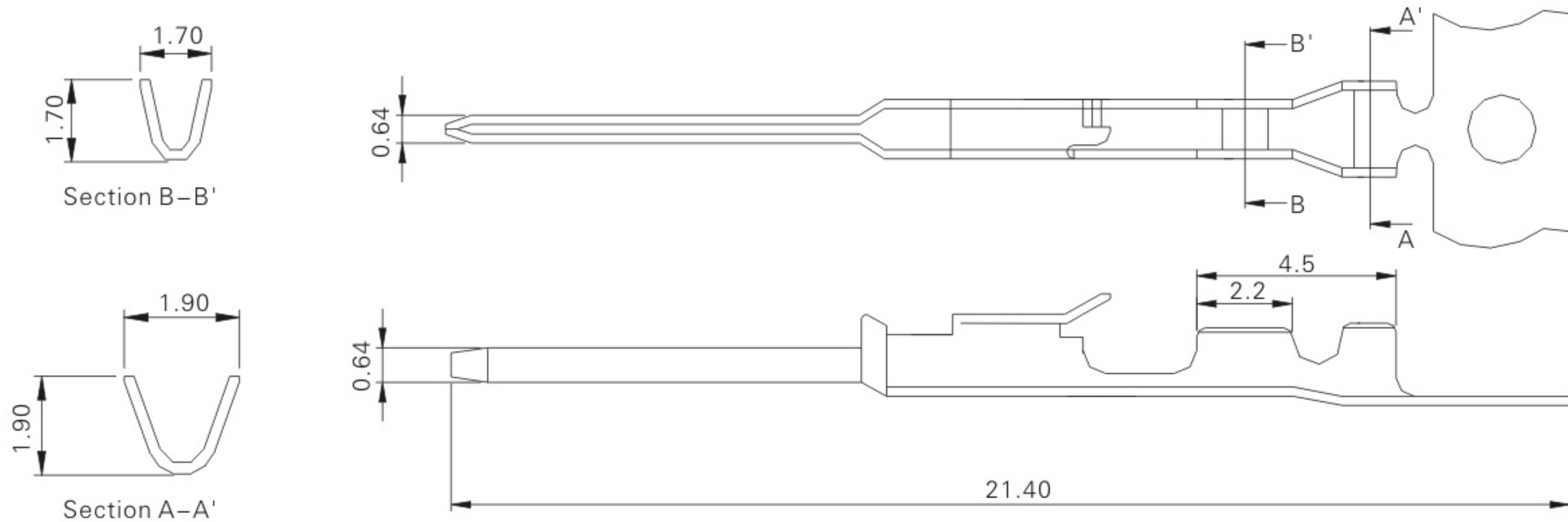
## Assembly layout



# 2550CT (2.54mm pitch crimp terminal)

## Reference Informations:

- \*Thickness: 0.2mm
- \*Mat'l: Phosphor Bronze Tin Plated
- \*Mates With: 2550CH series Housing
- \*Accepts With: 2551 series Terminal



## Ordering Information & Specifications

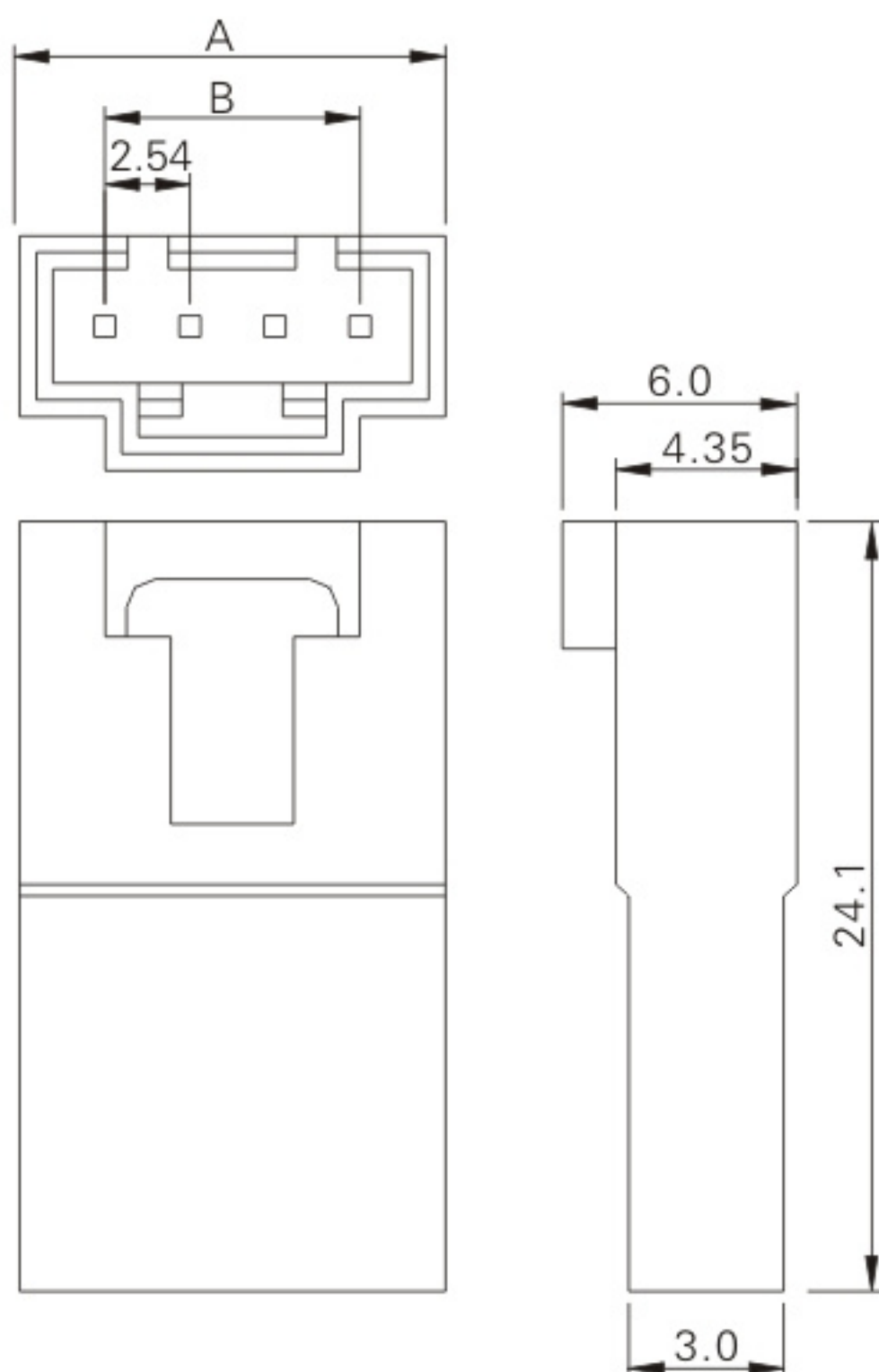
Unit: mm

Part No.	Wire Range	Insulation O.D.	Material	Finish	Qty/reel
2550CT-2	AWG#24-#28	1.7mm(max)	Phosphor bronze	Tin-plated	15,000

# 2550CH (2.54mm pitch crimp housing)

## Reference Informations:

- \*Mat'l: PBT 94V-0
- \*Mates With: 2550CT series Terminal
- \*Accepts With 2550H-K series Housing



## Ordering Information & Dimensions

Circuits	Part No.	DIM.(mm)	
		A	B
02	2550CH-02	7.1	2.54
03	2550CH-03	9.7	5.08
04	2550CH-04	12.2	7.62
05	2550CH-05	14.7	10.16
06	2550CH-06	17.3	12.70
07	2550CH-07	19.8	15.24
08	2550CH-08	22.4	17.78
09	2550CH-09	24.9	20.32
10	2550CH-10	27.4	22.86
11	2550CH-11	30.0	25.40
12	2550CH-12	32.5	27.94