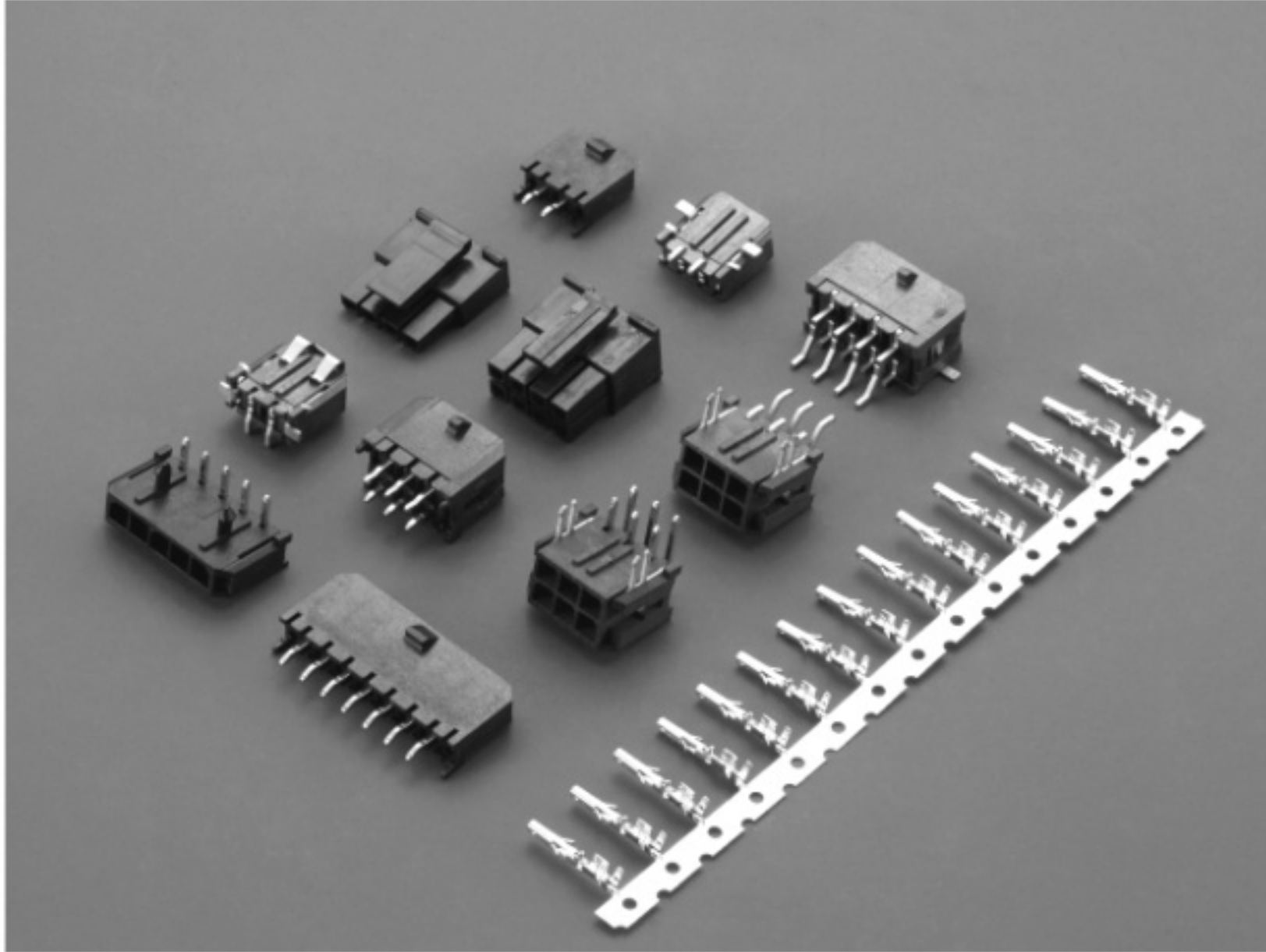


3016H SERIES

3.00mm PITCH WIRE TO BOARD CONNECTOR



Specifications

Current rating: 5A AC, DC

Voltage rating: 250V AC, DC

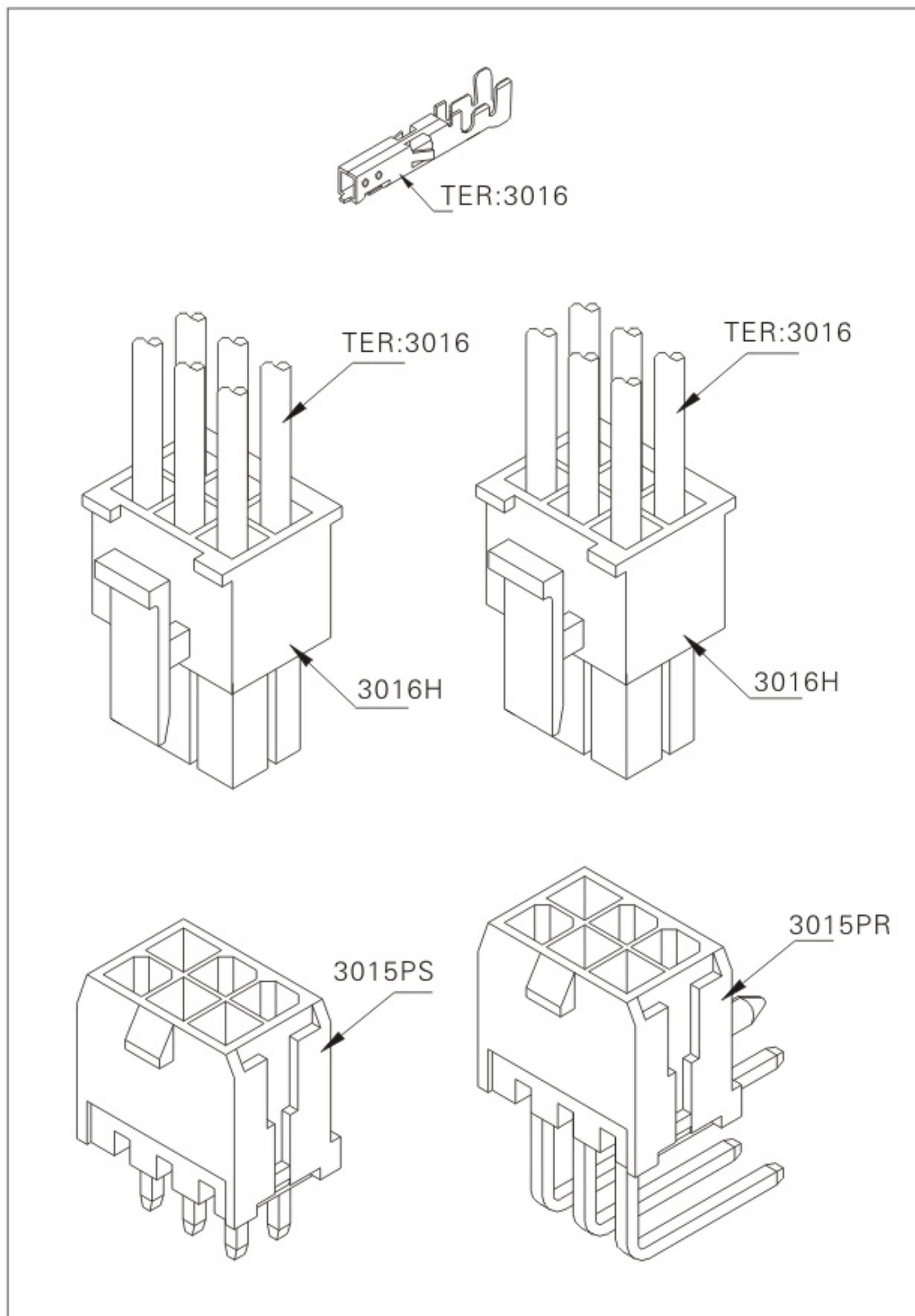
Temperature range: -25°C ~ +85°C

Contact resistance: 10mΩ Max.

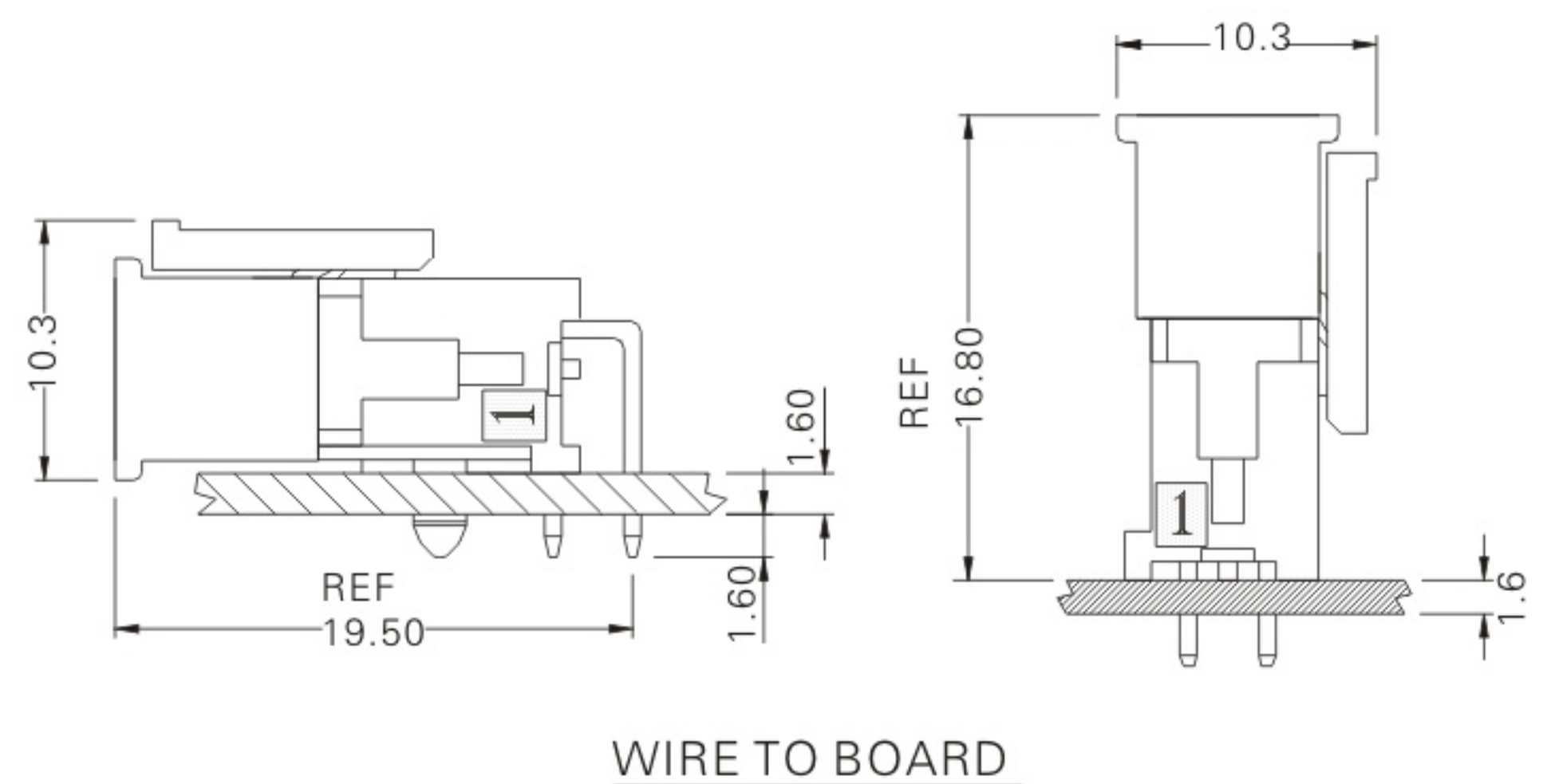
Insulation resistance: 1000MΩ Min

Withstanding voltage: 1500V AC/minute

Applicable wire: AWG#20-#24



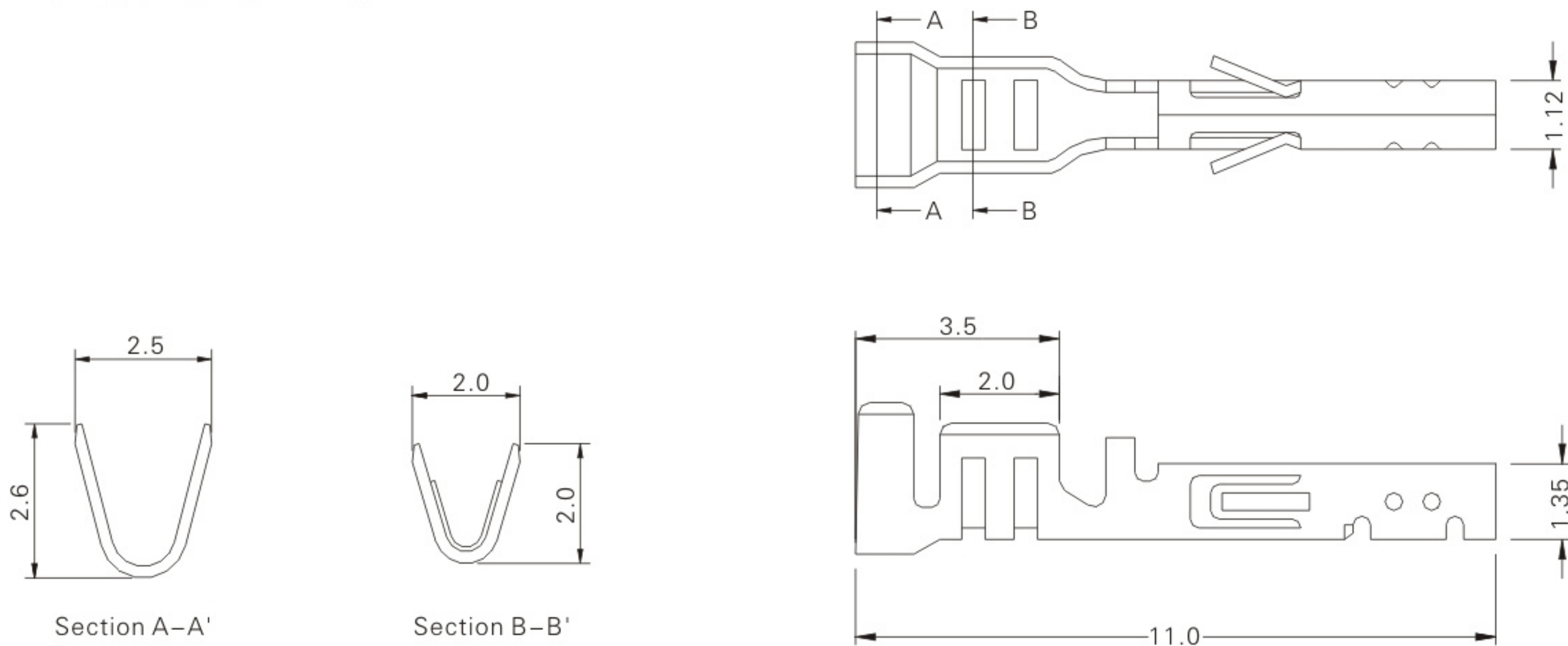
Assembly layout



3016 (3.00mm pitch crimp terminal)

Reference Informations:

- *Thickness: 0.2mm
- *Mates With: 3016H series Housing
- *Accepts With: 3015 Terminal



Ordering Information & Specifications

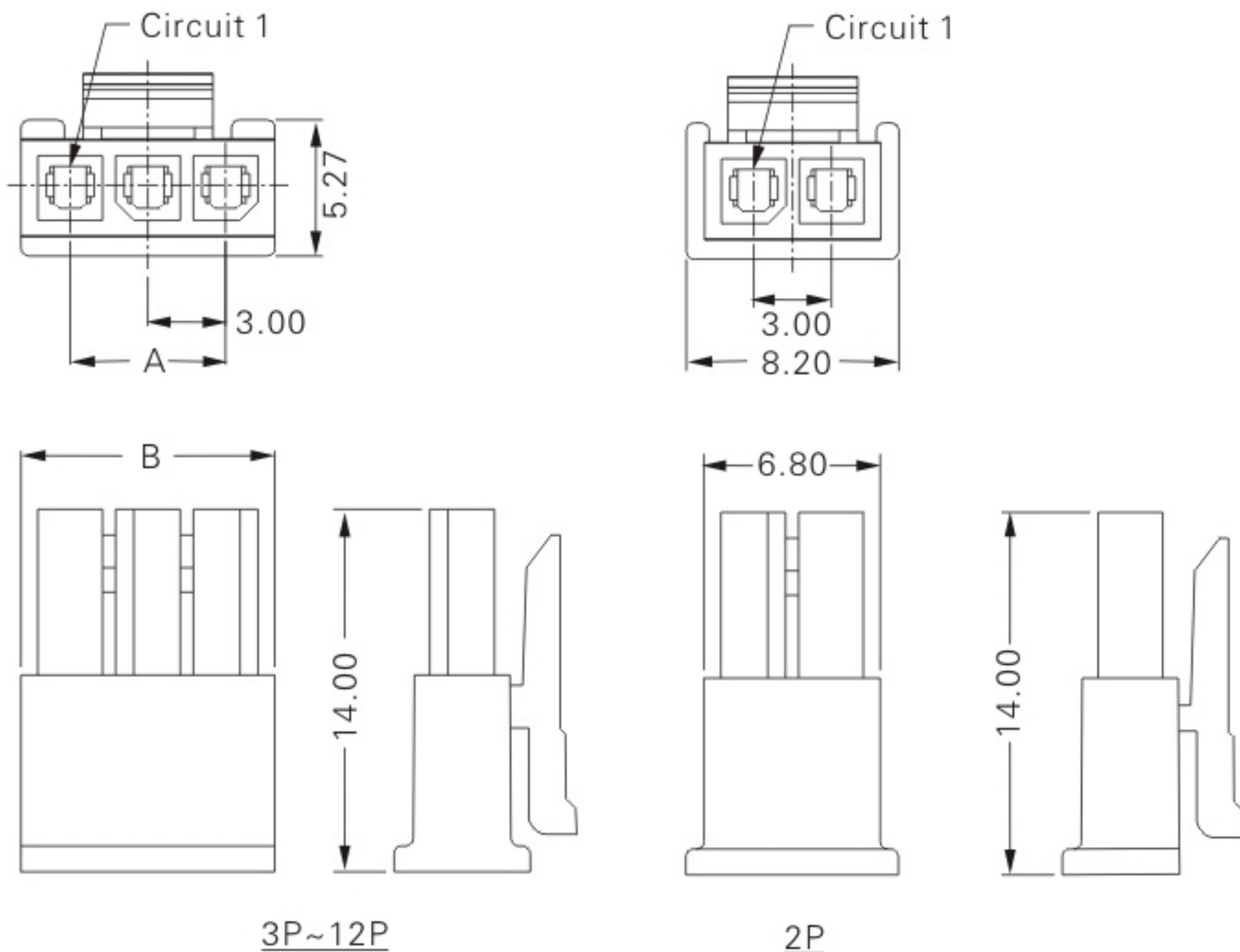
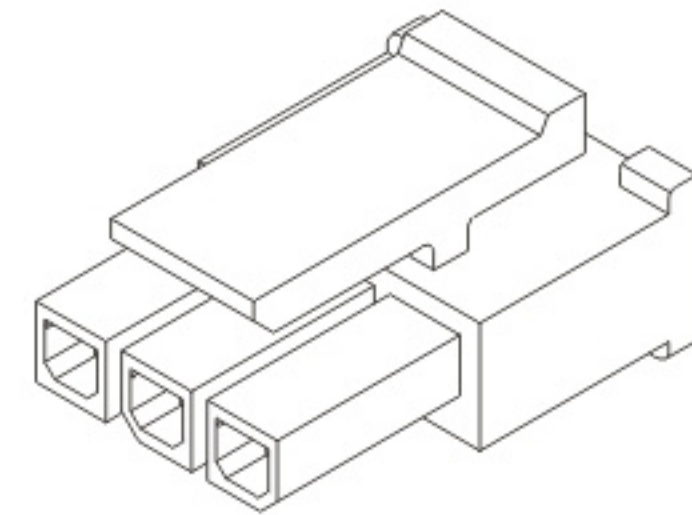
Unit: mm

Part No.	Wire Range	Insulation O.D.	Material	Finish	Qty/reel
3016P-2	AWG#20-24		Phosphor Bronze	Tin-plated	10,000PCS

3016H-1xNP (3.00mm pitch single row housing)

Reference Informations:

- *Material: Nylon 66, UL 94V-2
Nylon 66, UL 94V-0
- *Suitable 3016 series Terminal
- *Mates with 3015H, 3015H-E series single row Housing or 3015PS&3015PR single row Wafer



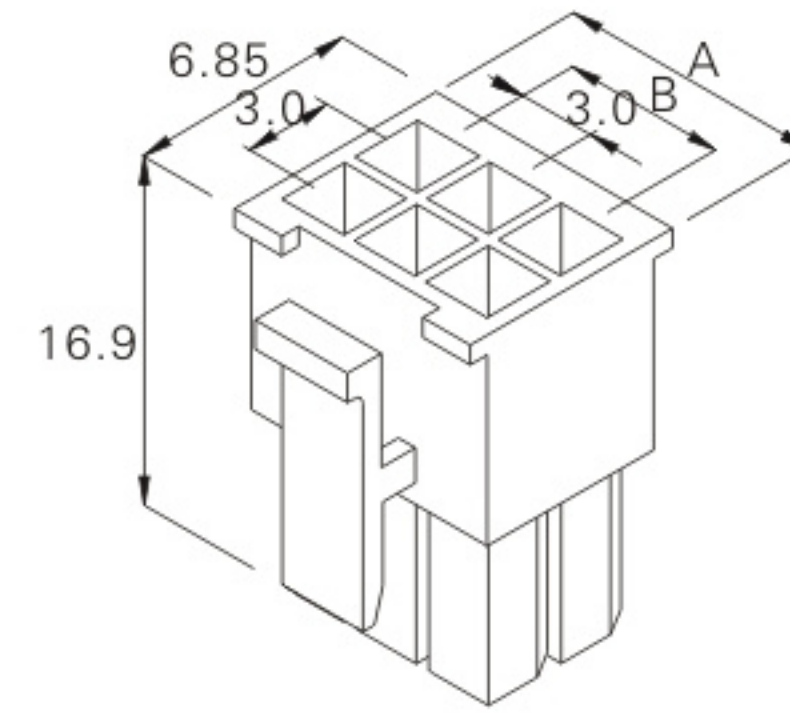
Ordering Information & Dimensions

Circuits	Part No.	DIM.(mm)	
		A	B
02	3016H-1x02	3.00	6.80
03	3016H-1x03	6.00	9.80
04	3016H-1x04	9.00	12.80
05	3016H-1x05	12.00	15.80
06	3016H-1x06	15.00	18.80
07	3016H-1x07	18.00	21.80
08	3016H-1x08	21.00	24.80
09	3016H-1x09	24.00	27.80
10	3016H-1x10	27.00	30.80
11	3016H-1x11	30.00	33.80
12	3016H-1x12	33.00	36.80

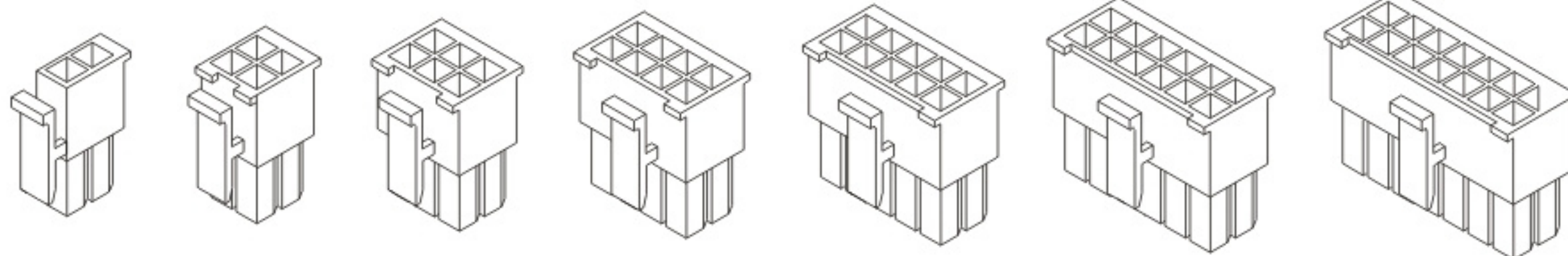
3016H-2XNP (3.00mm pitch dual row housing)

Reference Informations:

- *Mat'l: Nylon 66 UL94V-0
- *Mates With: 3016 Terminal
- *Accepts With: 3015H series Housing



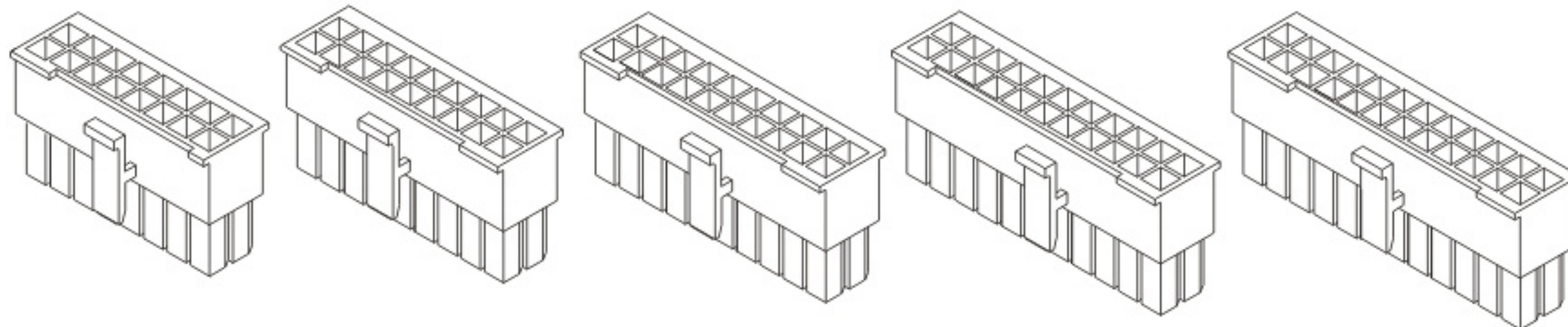
3016H-2 (2X1) 3016H-4 (2X2) 3016H-6 (2X3) 3016H-8 (2X4) 3016H-10 (2X5) 3016H-12 (2X6) 3016H-14 (2X7)



Ordering Information & Dimensions

Circuits	Part No.	DIM.(mm)	
		A	B
02	3016H-02(2x1)	3.85	
04	3016H-04(2x2)	6.85	3.0
06	3016H-06(2x3)	9.85	6.0
08	3016H-08(2x4)	12.85	9.0
10	3016H-10(2x5)	15.85	12.0
12	3016H-12(2x6)	18.85	15.0
14	3016H-14(2x7)	21.85	18.0
16	3016H-16(2x8)	24.85	21.0
18	3016H-18(2x9)	27.85	24.0
20	3016H-20(2x10)	30.85	27.0
22	3016H-22(2x11)	33.85	30.0
24	3016H-24(2x12)	36.85	33.0

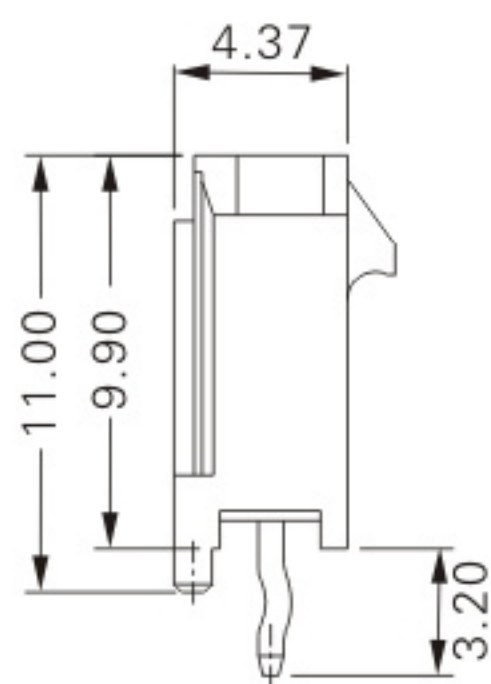
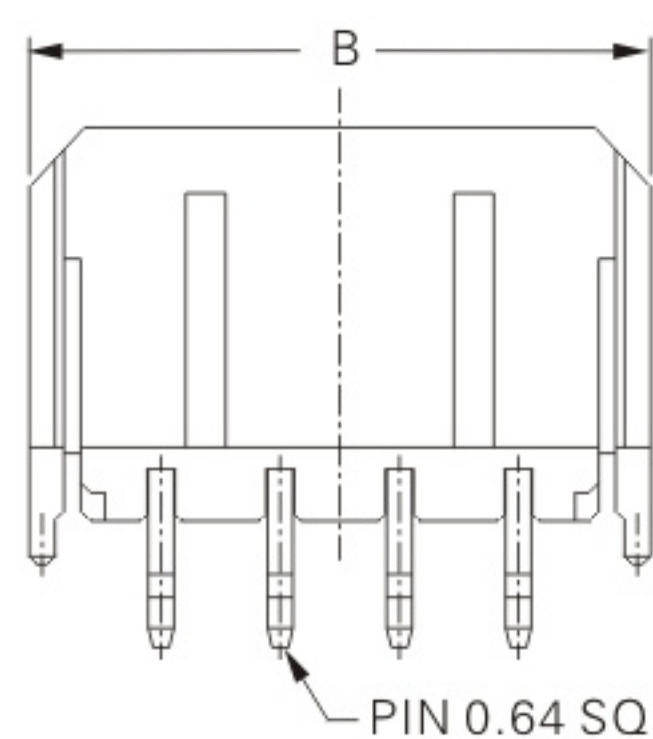
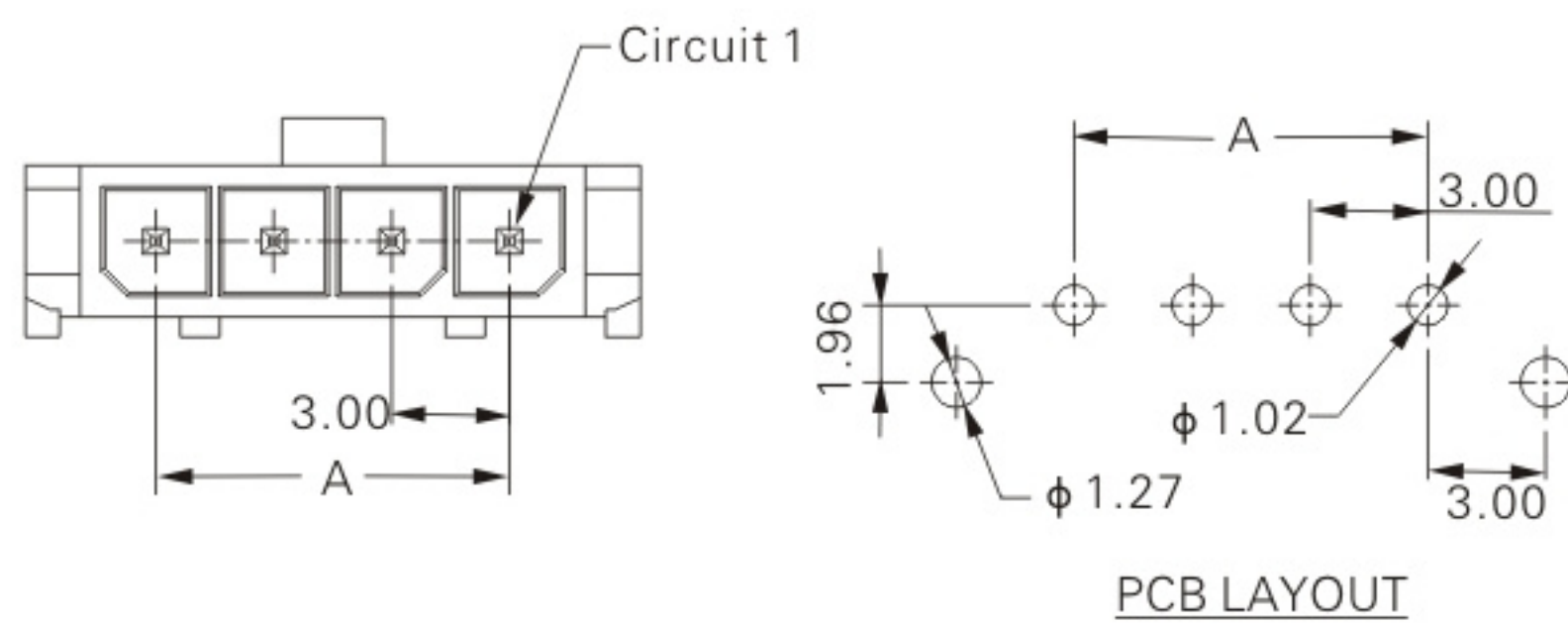
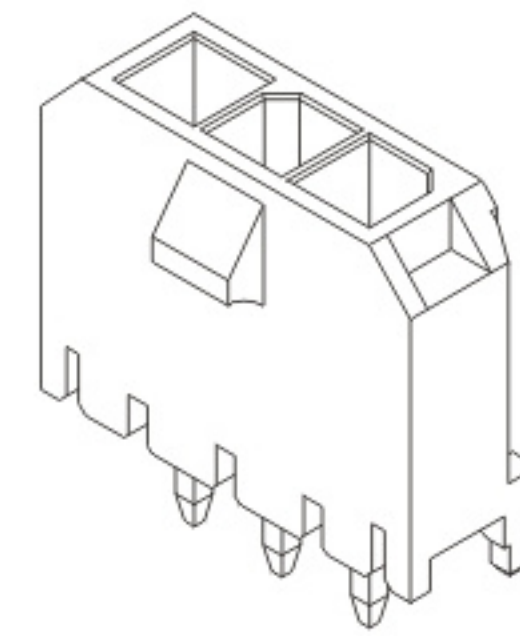
3016H-16 (2X8) 3016H-18 (2X9) 3016H-20 (2X10) 3016H-22 (2X11) 3016H-24 (2X12)



3015PS-1xNP (3.00mm pitch 180° single row wafer with foot)

Reference Informations:

- *Material: Pin: Brass/Tin-plated
Wafer: PBT, UL94V-0
- *Mates with 3016H-S series single row Housing



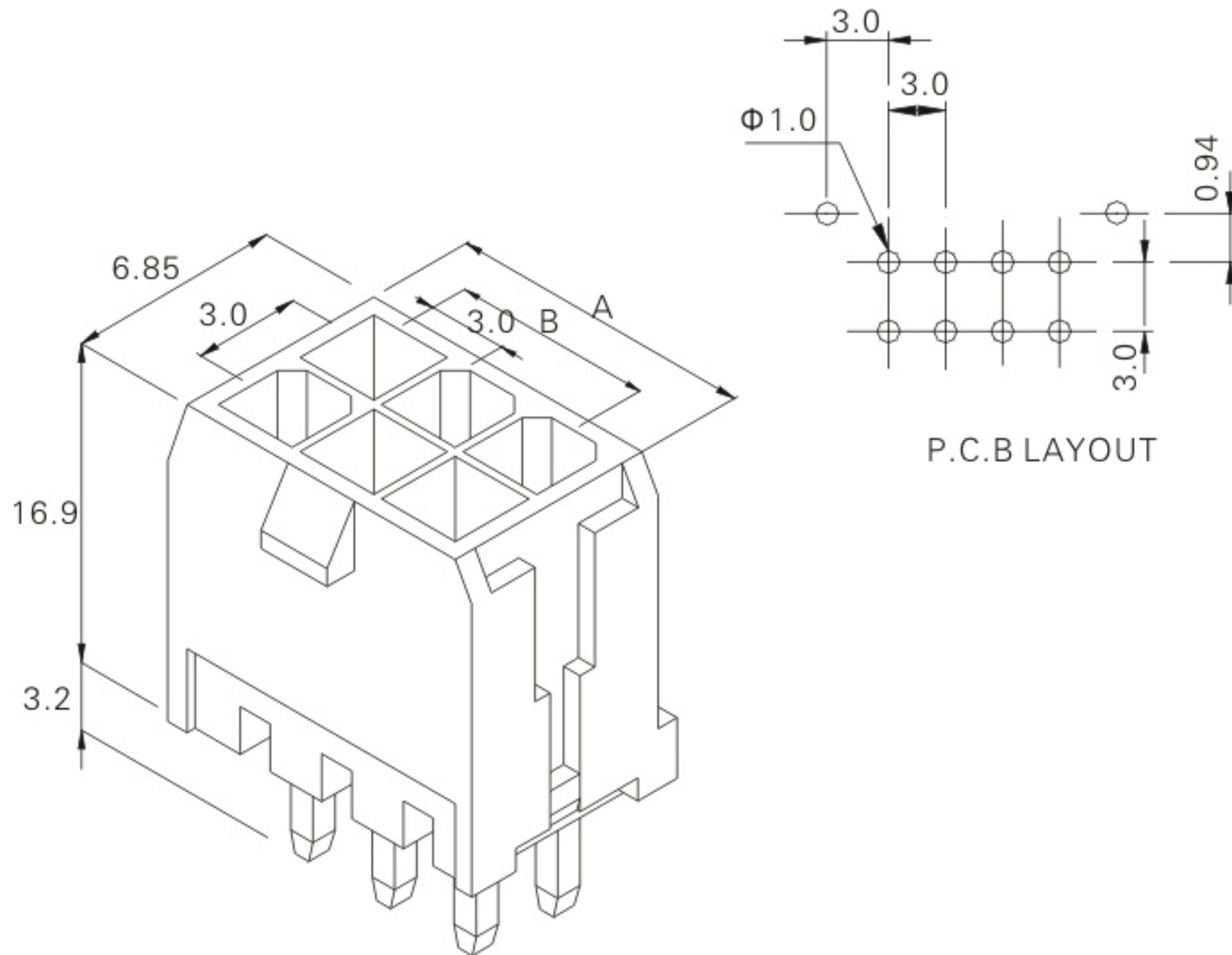
Ordering Information & Dimensions

Circuits	Part No.	DIM.(mm)	
		A	B
02	3015PS-1x02	3.00	9.65
03	3015PS-1x03	6.00	12.65
04	3015PS-1x04	9.00	15.65
05	3015PS-1x05	12.00	18.65
06	3015PS-1x06	15.00	21.65
07	3015PS-1x07	18.00	24.65
08	3015PS-1x08	21.00	27.65
09	3015PS-1x09	24.00	30.65
10	3015PS-1x10	27.00	33.65
11	3015PS-1x11	30.00	36.65
12	3015PS-1x12	33.00	39.65

3015PS-2XNP (3.0mm pitch 180° dual row wafer)

Reference Informations:

- *Mat'l: Nylon 66 UL94V-0
- *Mates With:3016 series Terminal
- *Accepts With:3016H series Housing



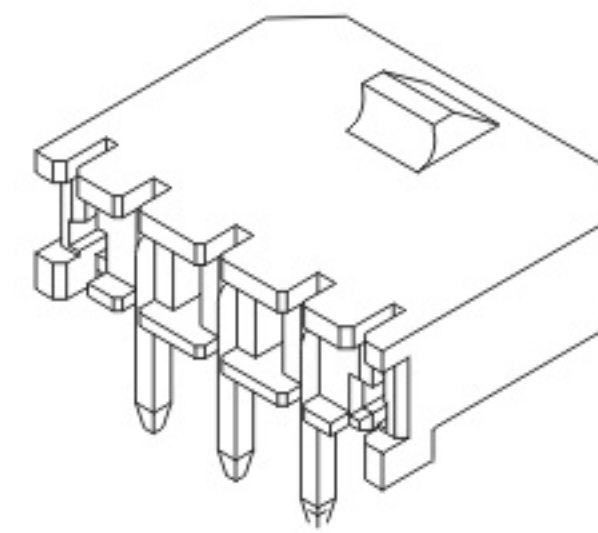
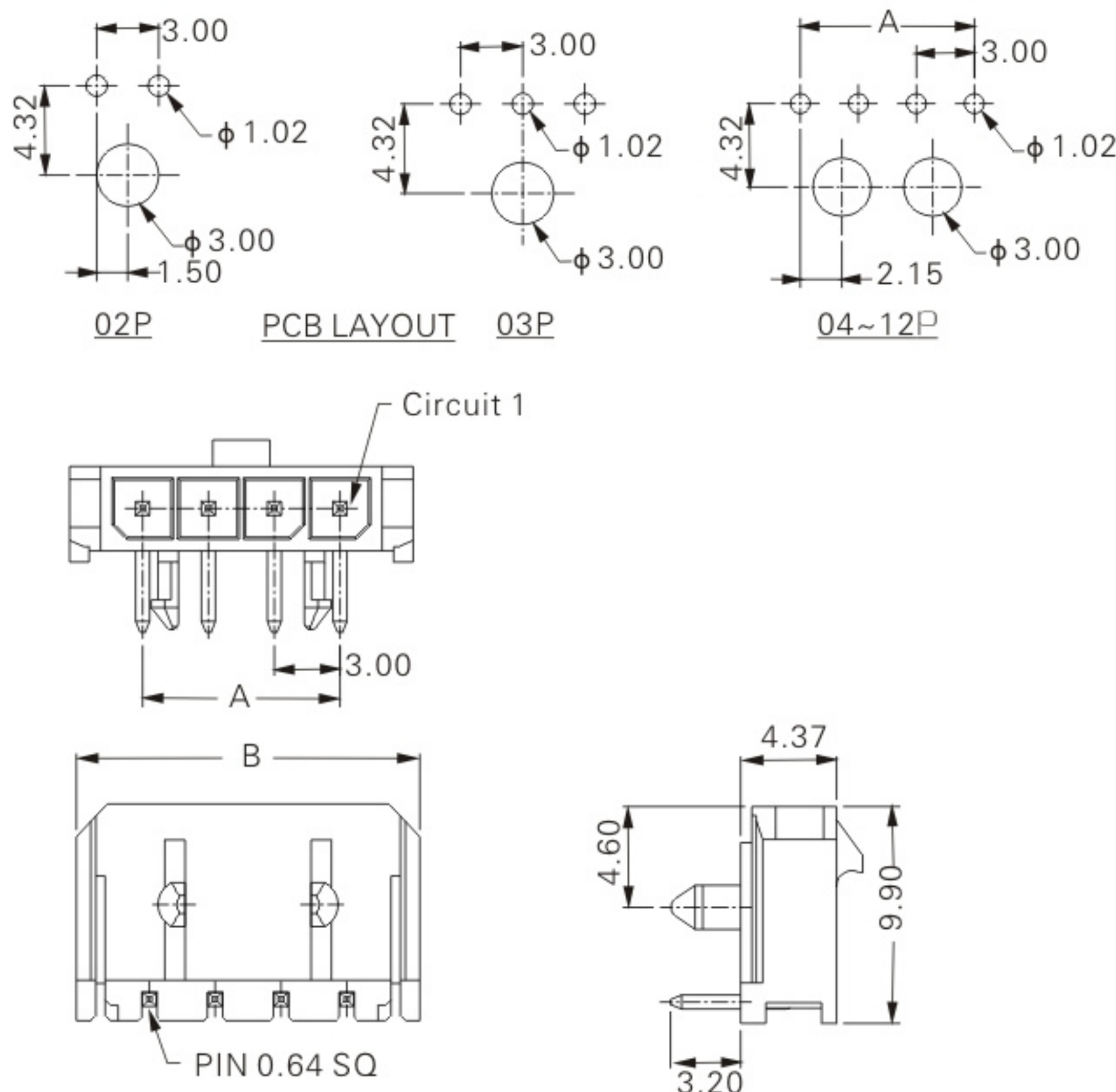
Ordering Information & Dimensions

Circuits	Part No.	DIM.(mm)	
		A	B
02	3015PS-02(2x1)	6.65	
04	3015PS-04(2x2)	9.65	3.00
06	3015PS-06(2x3)	12.65	6.00
08	3015PS-08(2x4)	15.65	9.00
10	3015PS-10(2x5)	18.65	12.00
12	3015PS-12(2x6)	21.65	15.00
14	3015PS-14(2x7)	24.65	18.00
16	3015PS-16(2x8)	27.65	21.00
18	3015PS-18(2x9)	30.65	24.00
20	3015PS-20(2x10)	33.65	27.00
22	3015PS-22(2x11)	36.65	30.00
24	3015PS-24(2x12)	39.65	33.00

3015PR-1xNP (3.00mm pitch 90° single row wafer with foot)

Reference Informations:

- *Material:Pin:Brass/Tin-plated
Wafer:PBT,UL94V-0
- *Mates with 3016H series single row Housing



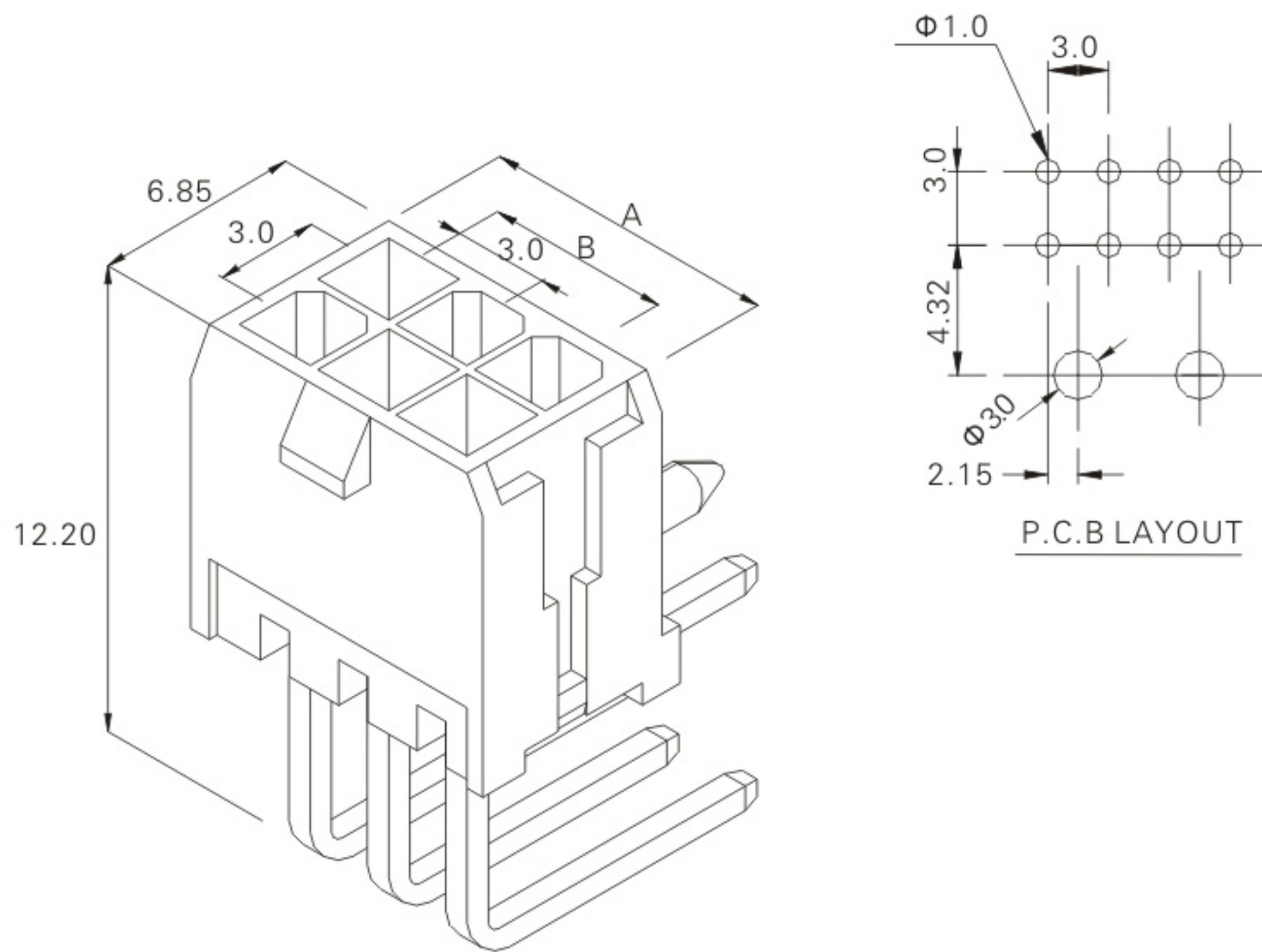
Ordering Information & Dimensions

Circuits	Part No.	DIM.(mm)	
		A	B
02	3015PR-1x02	3.00	9.65
03	3015PR-1x03	6.00	12.65
04	3015PR-1x04	9.00	15.65
05	3015PR-1x05	12.00	18.65
06	3015PR-1x06	15.00	21.65
07	3015PR-1x07	18.00	24.65
08	3015PR-1x08	21.00	27.65
09	3015PR-1x09	24.00	30.65
10	3015PR-1x10	27.00	33.65
11	3015PR-1x11	30.00	36.65
12	3015PR-1x12	33.00	39.65

3015PR-2XNP (3.0mm pitch 90° dual row wafer)

Reference Informations:

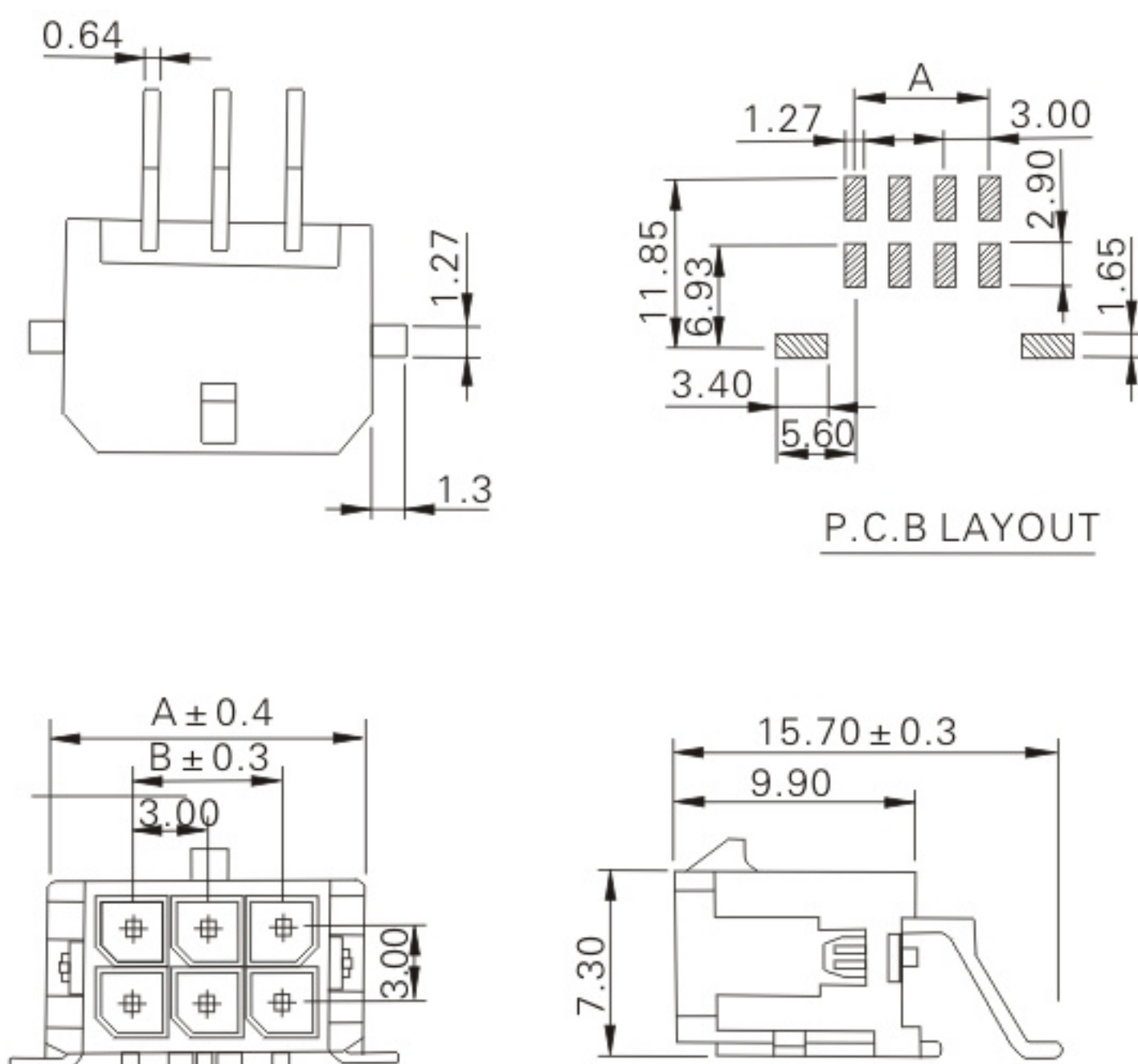
- *Mat'l: Nylon 66 UL94V-0
- *Mates With:3016 series Terminal
- *Accepts With:3016H series Housing



Ordering Information & Dimensions

Circuits	Part No.	DIM.(mm)	
		A	B
02	3015PR-02(2x1)	6.65	
04	3015PR-04(2x2)	9.65	3.00
06	3015PR-06(2x3)	12.65	6.00
08	3015PR-08(2x4)	15.65	9.00
10	3015PR-10(2x5)	18.65	12.00
12	3015PR-12(2x6)	21.65	15.00
14	3015PR-14(2x7)	24.65	18.00
16	3015PR-16(2x8)	27.65	21.00
18	3015PR-18(2x9)	30.65	24.00
20	3015PR-20(2x10)	33.65	27.00
22	3015PR-22(2x11)	36.65	30.00
24	3015PR-24(2x12)	39.65	33.00

3015PR-SMT



3015PR-B-SMT

