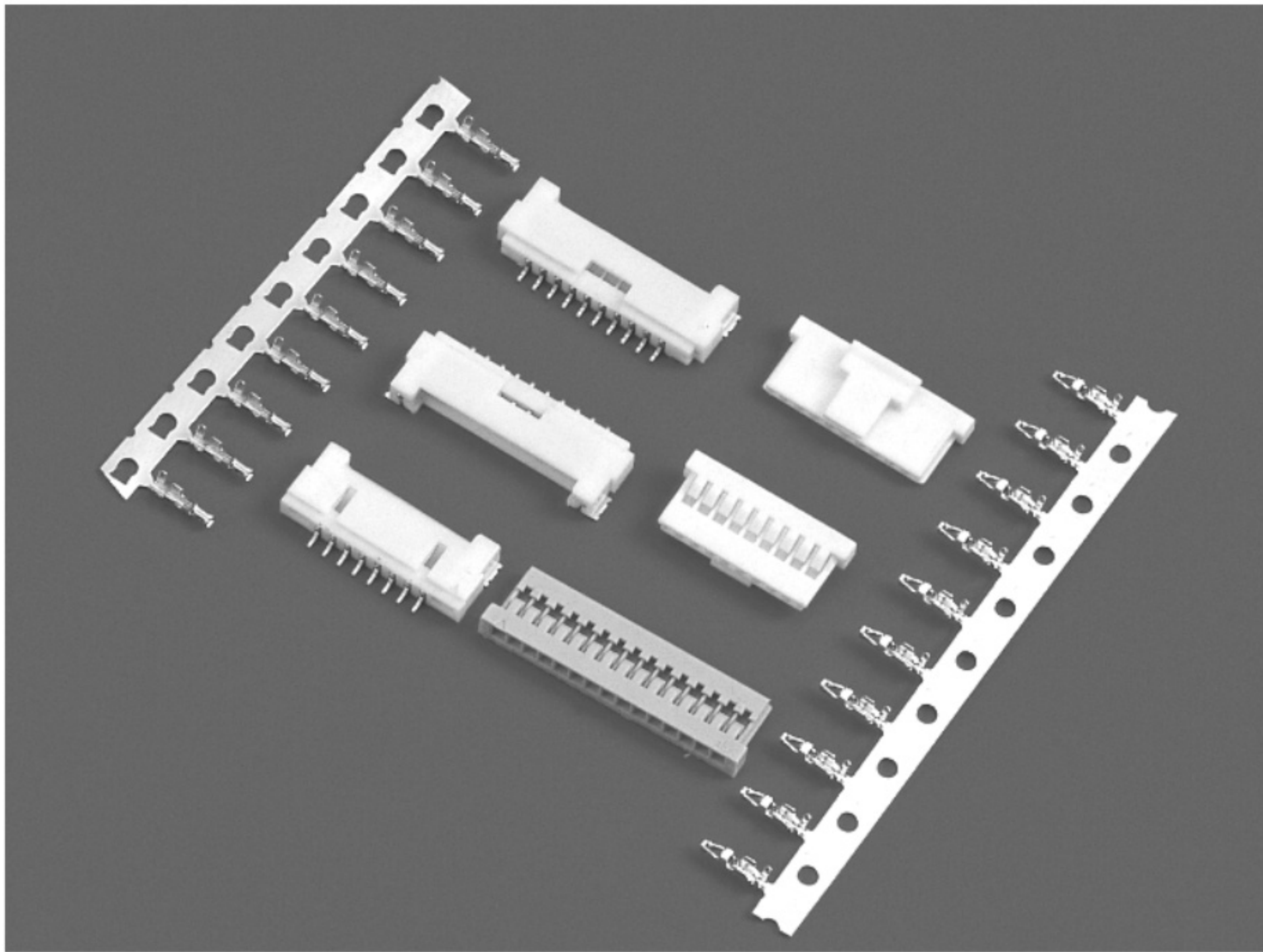


H14H SERIES

1.25mm PITCH WIRE TO BOARD CONNECTOR



Specifications

Current rating: 1A AC,DC

Voltage rating: 150V AC,DC

Temperature range: -25°C~+85°C

Contact resistance: 20mΩ Max.

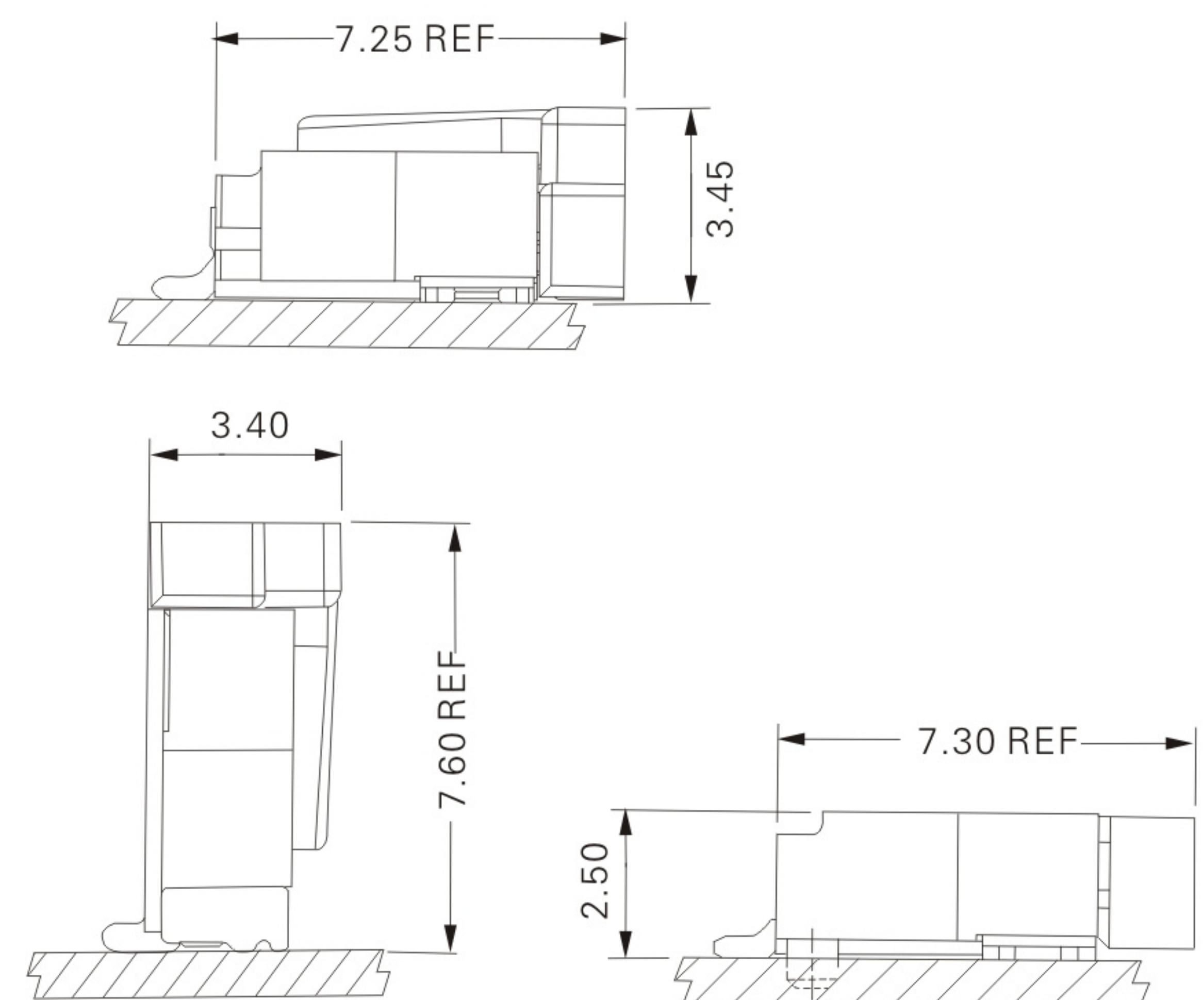
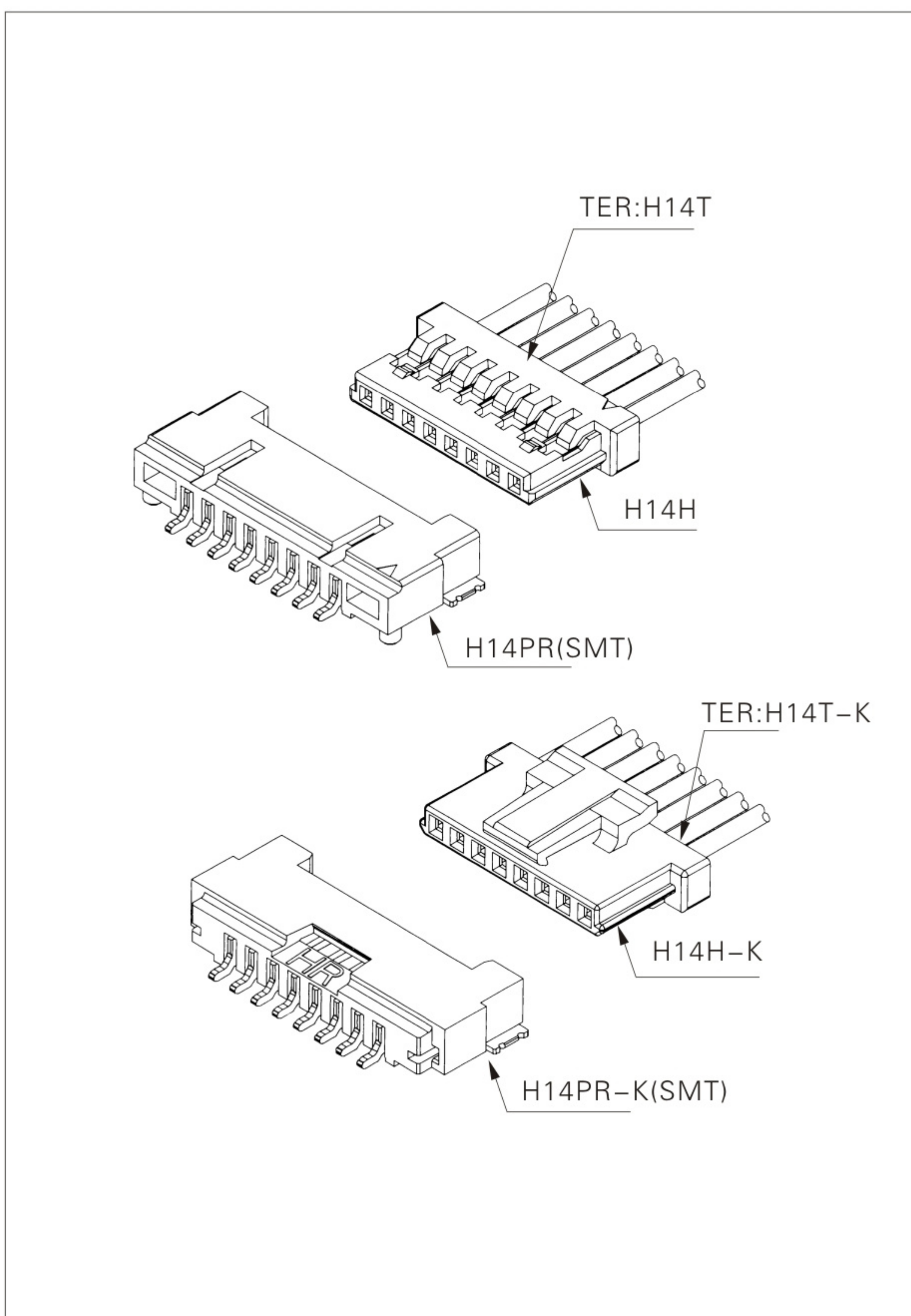
Insulation resistance: 500MΩ Min.

Withstanding voltage: 500V AC/minute

Applicable wire: H14T: AWG#30-#32

H14-T-K: AWG#28-#32

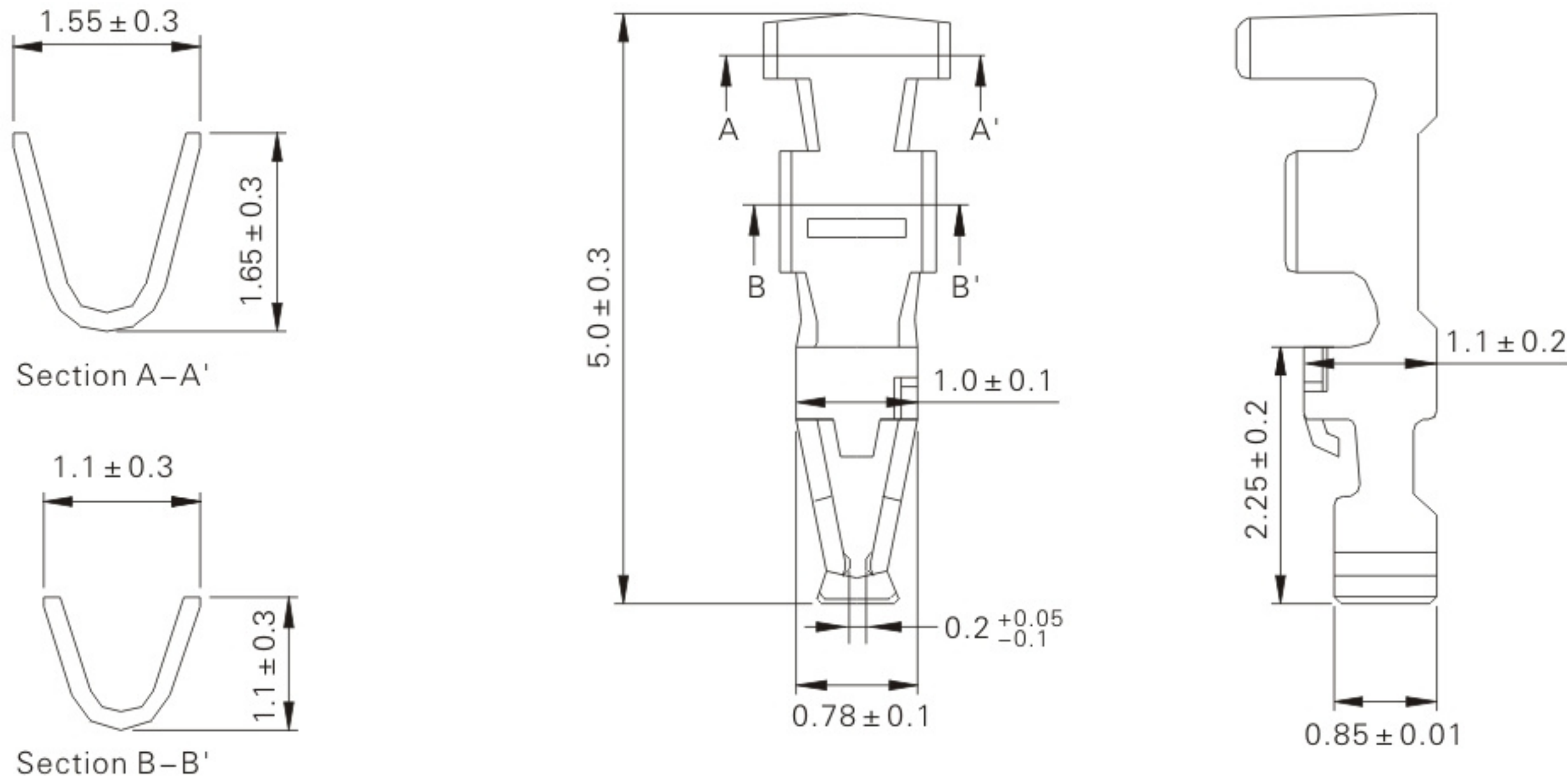
Assembly layout



H14-T (1.25mm pitch crimp terminal)

Reference Informations:

*Used in H14H series Housing



Ordering Information & Specifications

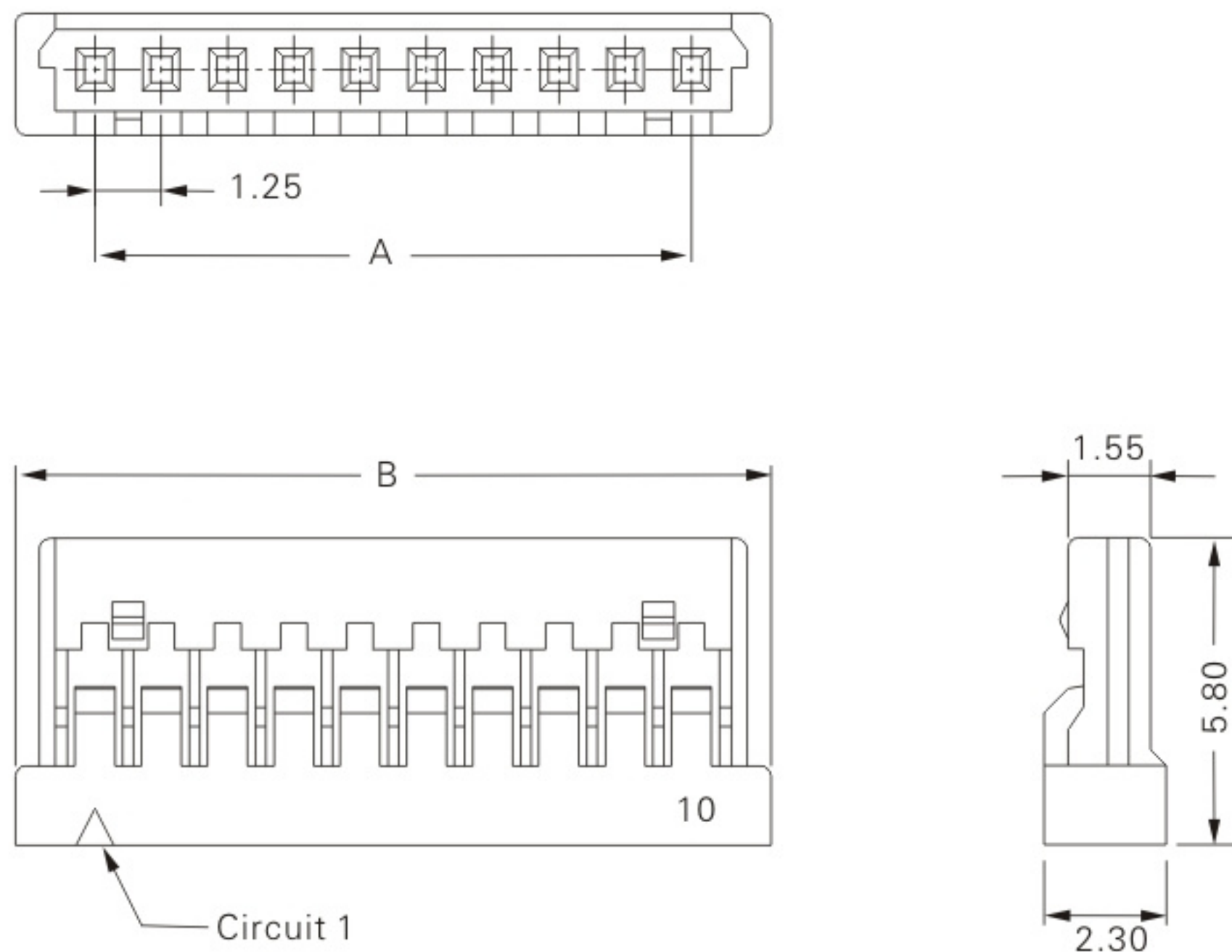
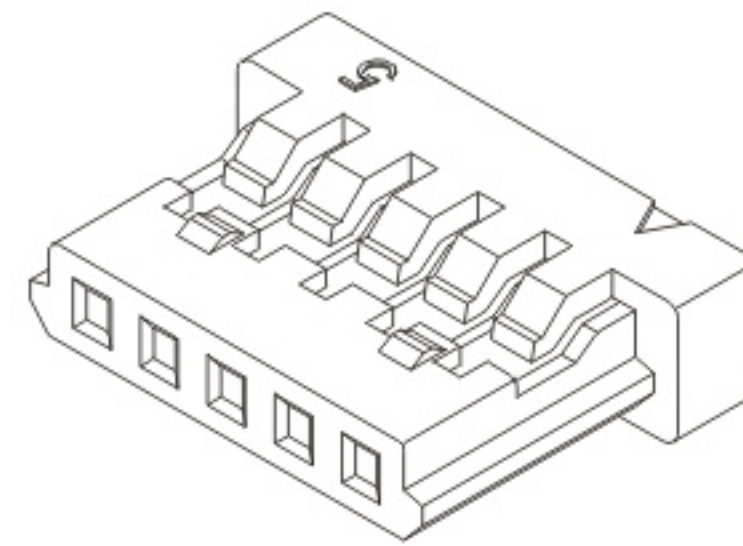
Unit: mm

Part No.	Wire Range	Insulation O.D.	Material	Finish	Qty/reel
H14P-2	AWG#30-#32	1.00mm(max)	Phosphor Bronze	Tin-plated	15,000pcs
H14P-00				Gold-flash	

H14H-NP (1.25mm pitch crimp housing)

Reference Informations:

- *Material: Nylon66 UL94V-0
- *Suitable H14-T series Terminal
- *Mates With H14PR series Wafer



Ordering Information & Dimensions

Circuits	Part No.	DIM.(mm)	
		A	B
02	H14H-02P	1.25	4.35
03	H14H-03P	2.50	5.60
04	H14H-04P	3.75	6.85
05	H14H-05P	5.00	8.10
06	H14H-06P	6.25	9.35
07	H14H-07P	7.50	10.60
08	H14H-08P	8.75	11.85
09	H14H-09P	10.00	13.10
10	H14H-10P	11.25	14.35
15	H14H-15P	17.50	20.60
20	H14H-20P	23.75	26.85
25	H14H-25P	30.00	33.10
30	H14H-30P	36.25	39.35

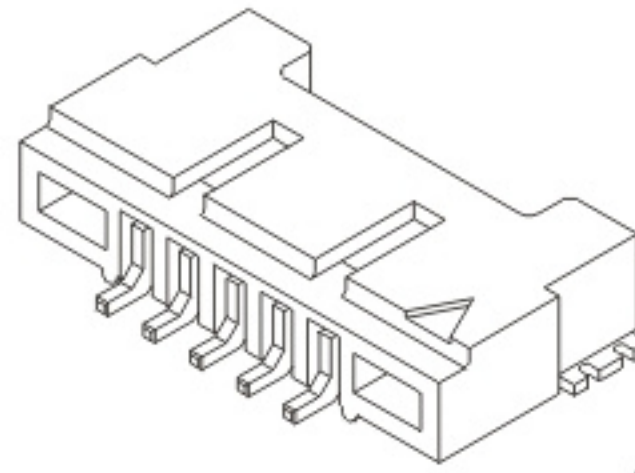
H14PR-NP-SMT (1.25mm pitch 90° wafer-SMT TYPE)

Reference Informations:

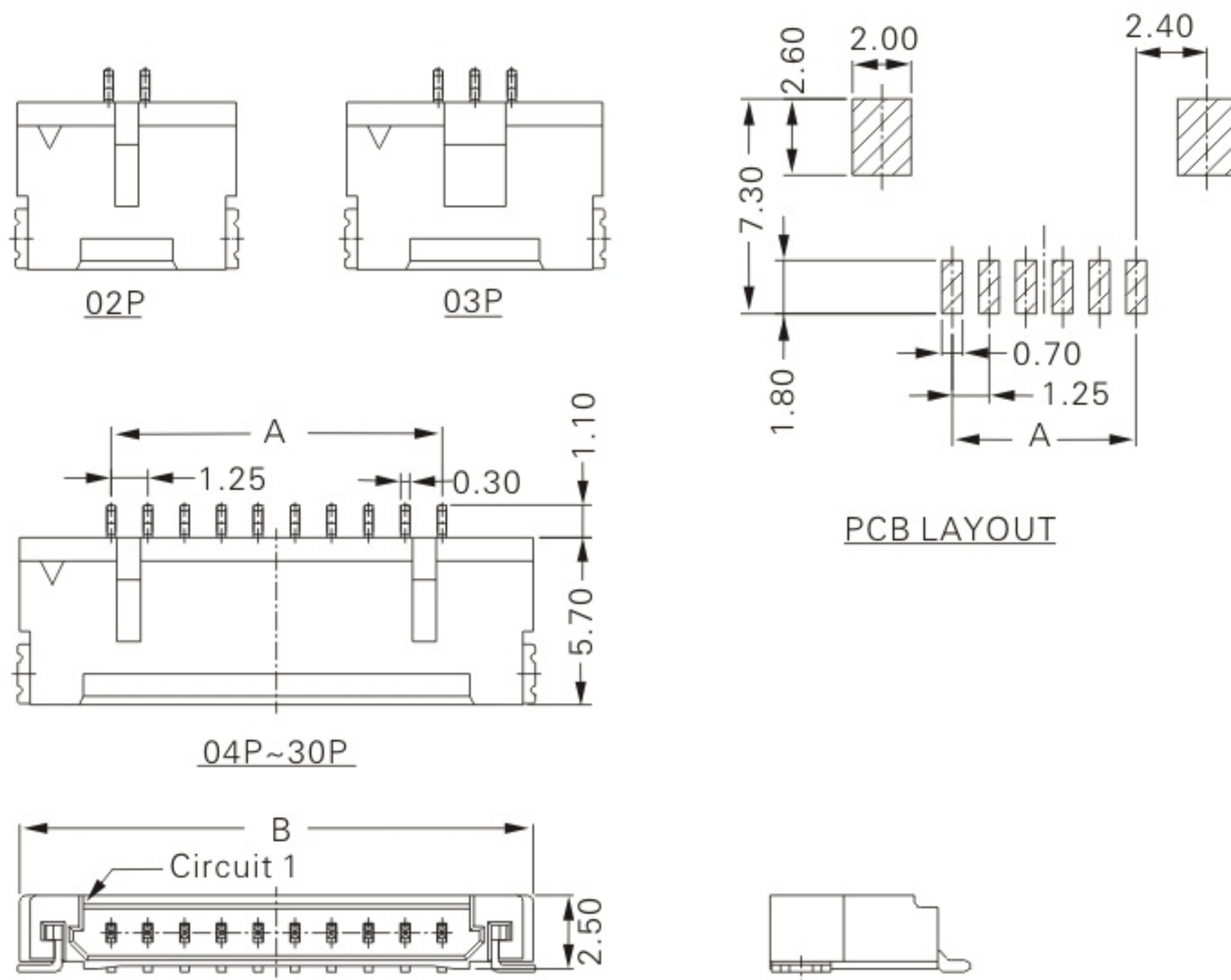
*Material: Pin: Brass/Tin-plated

Solder Tabs: Brass/Tin-plated

Wafer: Nylon 9T,UL94V-0



*Mates with H14H series Housing



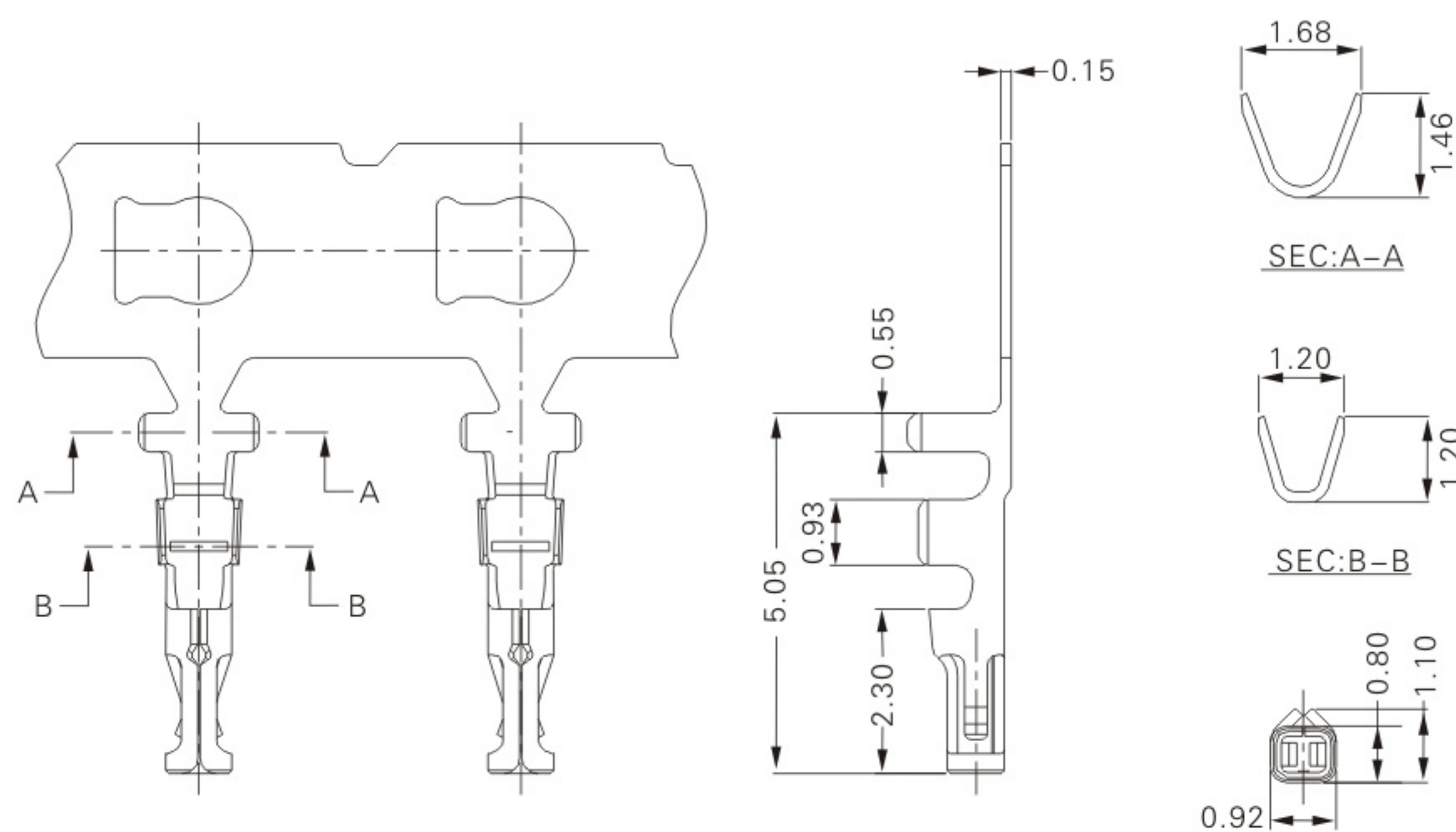
Ordering Information & Dimensions

Circuits	Part No.	DIM.(mm)	
		A	B
02	H14PR-02P-SMT	1.25	7.45
03	H14PR-03P-SMT	2.50	8.70
04	H14PR-04P-SMT	3.75	9.95
05	H14PR-05P-SMT	5.00	11.20
06	H14PR-06P-SMT	6.25	12.45
07	H14PR-07P-SMT	7.50	13.70
08	H14PR-08P-SMT	8.75	14.95
09	H14PR-09P-SMT	10.00	16.20
10	H14PR-10P-SMT	11.25	17.45
11	H14PR-11P-SMT	12.50	18.70
12	H14PR-12P-SMT	13.75	19.95
13	H14PR-13P-SMT	15.00	21.20
14	H14PR-14P-SMT	16.25	22.45
15	H14PR-15P-SMT	17.50	23.70
20	H14PR-20P-SMT	23.75	29.95
25	H14PR-25P-SMT	30.00	36.20
30	H14PR-30P-SMT	36.25	42.45

H14-T-K (1.25mm pitch crimp terminal-K TYPE)

Reference Informations:

*Used in H14HA series Housing



Ordering Information & Specifications

Unit: mm

Part No.	Wire Range	Insulation O.D.	Material	Finish	Qty/reel
H14-P-2-K	AWG#28-#32	0.90mm(max)	Phosphor Bronze	Tin-plated	15,000pcs
H14-P-00-K				Gold-flash	

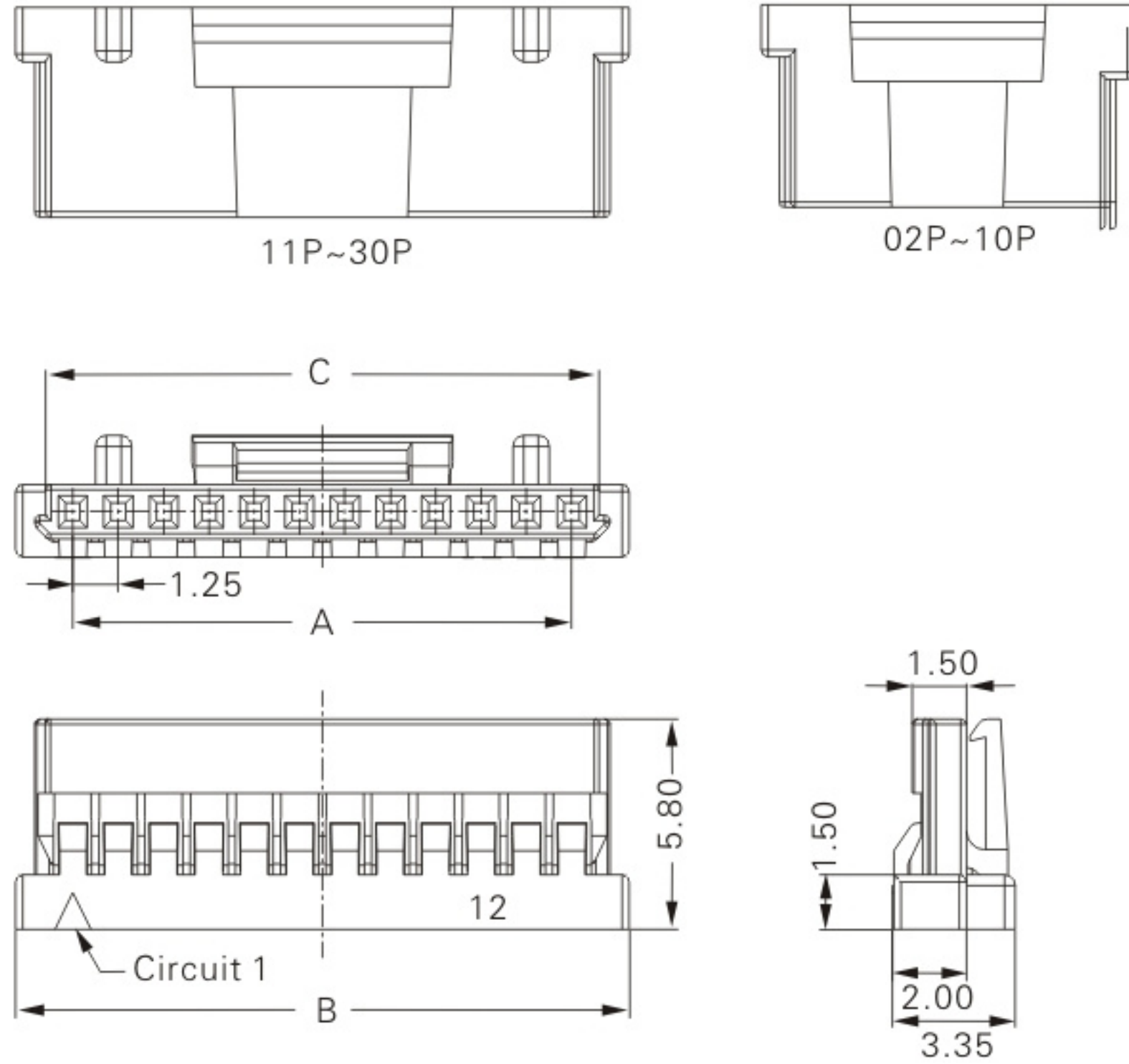
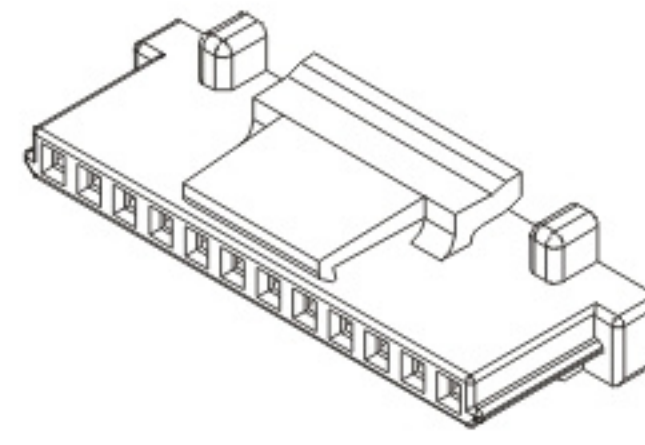
H14H-NP-K (1.25mm pitch housing-K TYPE)

Reference Informations:

*Material:Nylon 66,UL94V-0

Suitable H14-T-K series Terminal-A TYPE

*Mates with H14PR-K series wafer



Ordering Information & Dimensions

Circuits	Part No.	DIM.(mm)		
		A	B	C
02	H14H-02P-K	1.25	4.40	2.75
03	H14H-03P-K	2.50	5.65	4.00
04	H14H-04P-K	3.75	6.90	5.25
05	H14H-05P-K	5.00	8.15	6.50
06	H14H-06P-K	6.25	9.40	7.75
07	H14H-07P-K	7.50	10.65	9.00
08	H14H-08P-K	8.75	11.90	10.25
09	H14H-09P-K	10.00	13.15	11.50
10	H14H-10P-K	11.25	14.40	12.75
11	H14H-11P-K	12.50	15.65	14.00
12	H14H-12P-K	13.75	16.90	15.25
13	H14H-13P-K	15.00	18.15	16.50
14	H14H-14P-K	16.25	19.40	17.75
15	H14H-15P-K	17.50	20.65	19.00
20	H14H-20P-K	23.75	26.90	25.25
25	H14H-25P-K	30.00	33.15	31.50
30	H14H-30P-K	36.25	39.40	37.75

H14PR-NP-K (1.25mm pitch 90° wafer -SMT K TYPE)

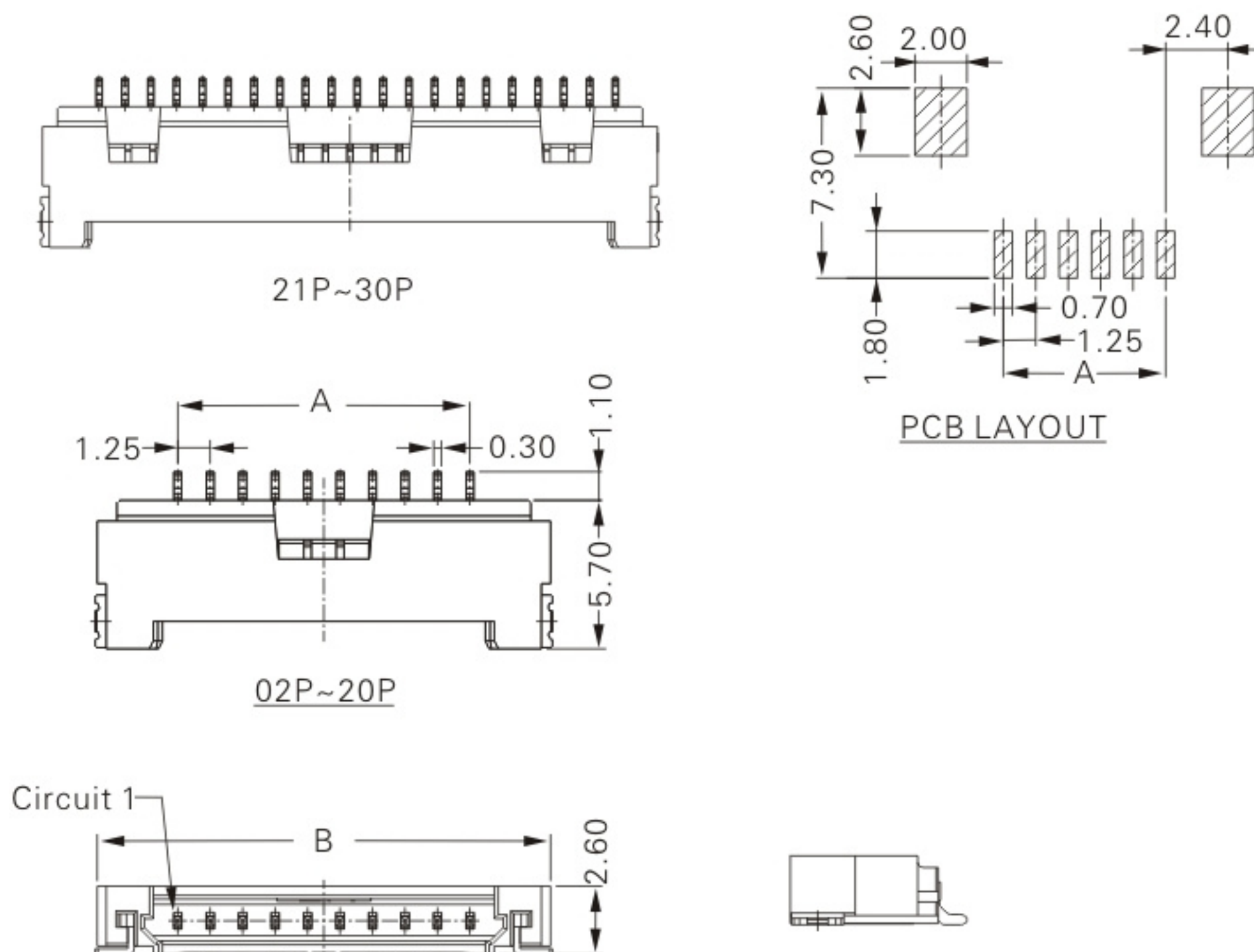
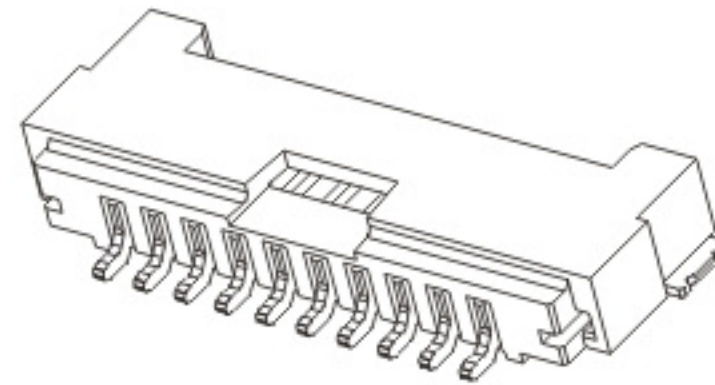
Reference Informations:

*Material: Pin: Brass/Tin

Solder Tabs:Brass/Tin

Wafer:Nylon 9T, UL94V-0

*Mates with H14H-K series Housing



Ordering Information & Dimensions

Circuits	Part No.	DIM.(mm)	
		A	B
02	H14PR-02P-K	1.25	7.45
03	H14PR-03P-K	2.50	8.70
04	H14PR-04P-K	3.75	9.95
05	H14PR-05P-K	5.00	11.20
06	H14PR-06P-K	6.25	12.45
07	H14PR-07P-K	7.50	13.70
08	H14PR-08P-K	8.75	14.95
09	H14PR-09P-K	10.00	16.20
10	H14PR-10P-K	11.25	17.45
11	H14PR-11P-K	12.50	18.70
12	H14PR-12P-K	13.75	19.95
13	H14PR-13P-K	15.00	21.20
14	H14PR-14P-K	16.25	22.45
15	H14PR-15P-K	17.50	23.70
20	H14PR-20P-K	23.75	29.95
25	H14PR-25P-K	30.00	36.20
30	H14PR-30P-K	36.25	42.45