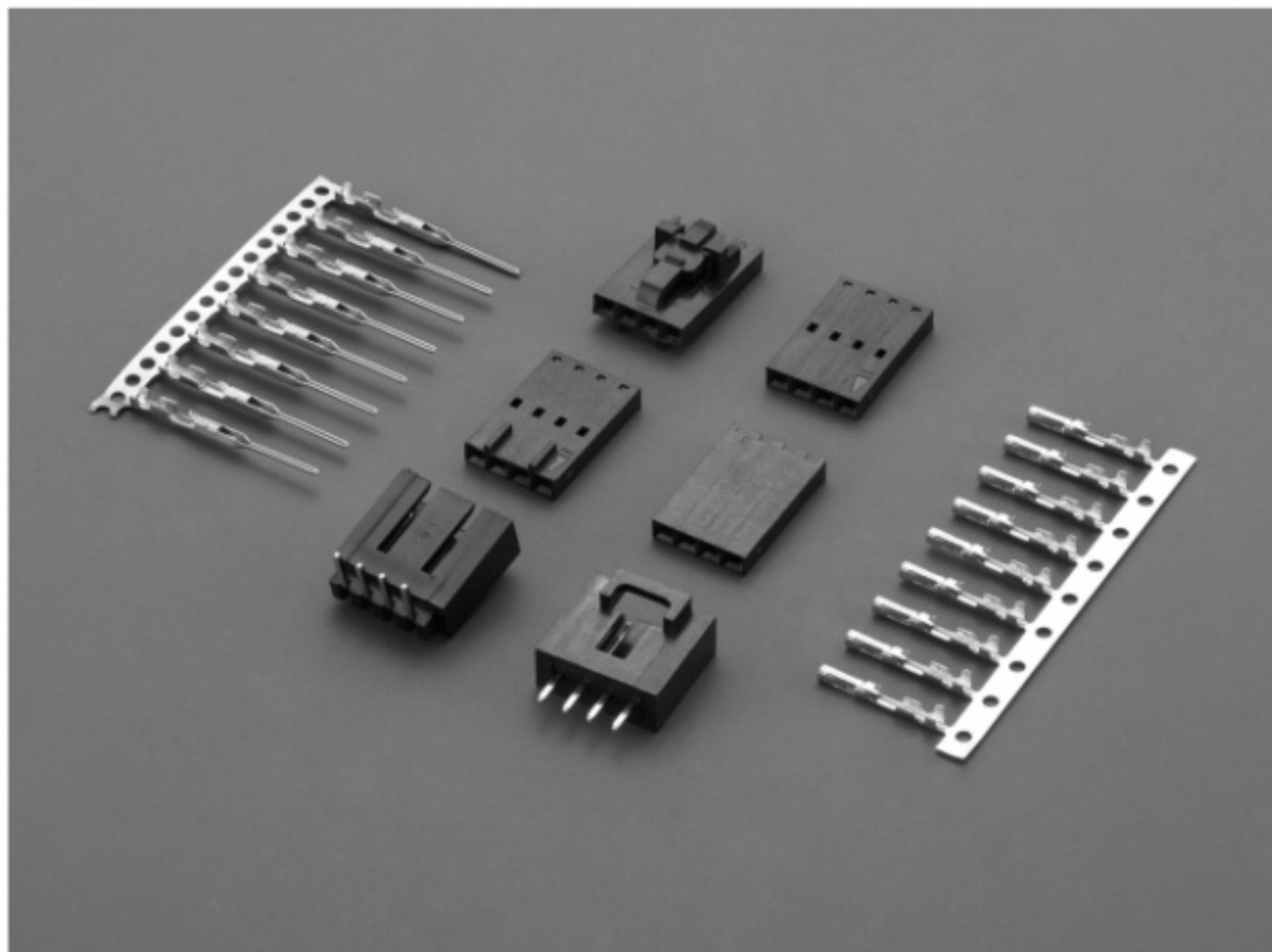


2550 SERIES

2.54mm PITCH WIRE TO BOARD CONNECTOR



Specifications

Current Rating: 1A AC,DC

Voltage Rating:250V AC,DC

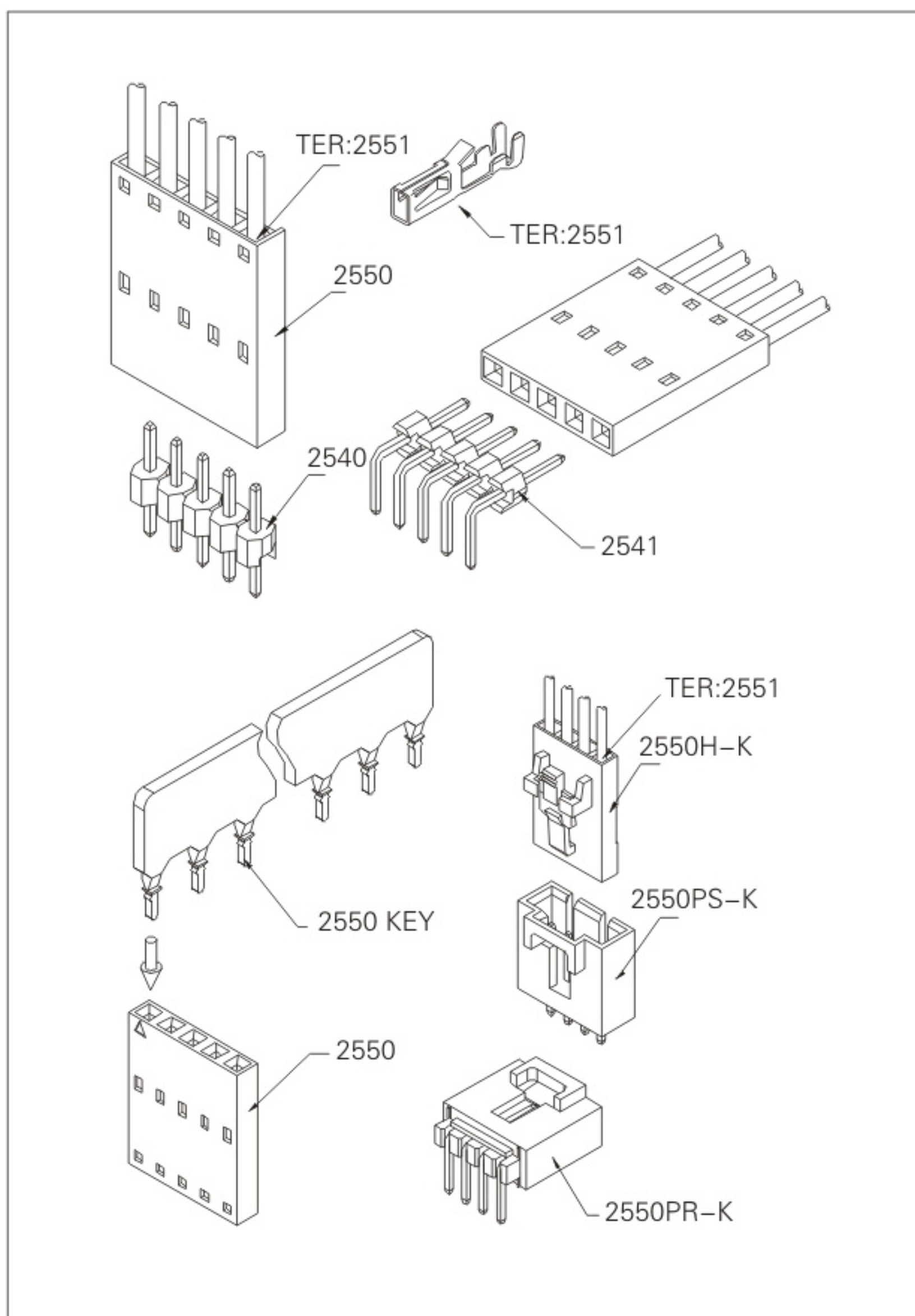
Temperature Range: -25°C~+85°C

Contact Resistance: 20mΩ Max.

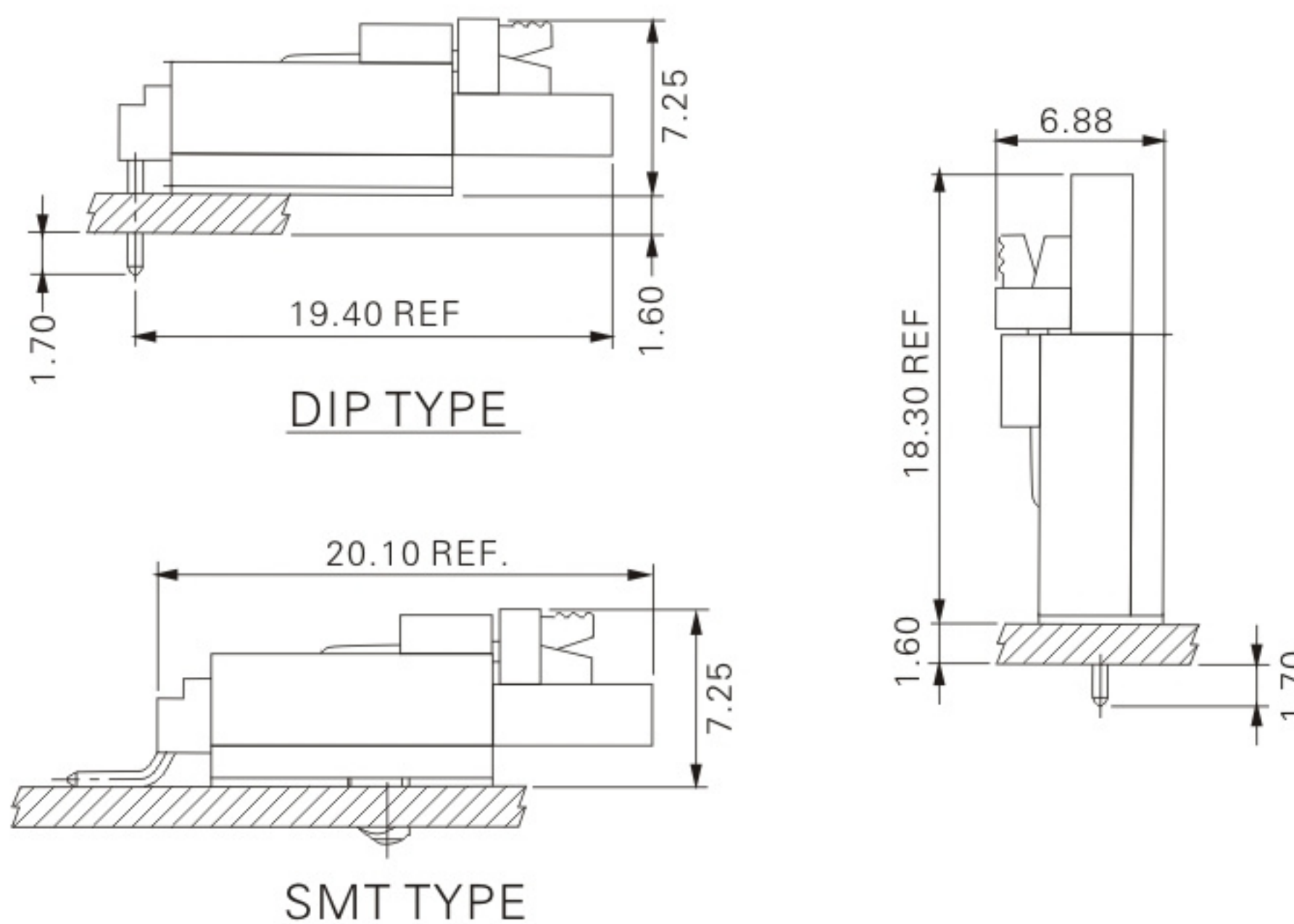
Insulation Resistance: 1000MΩ Min.

Withstanding Voltage: 1000V AC/minute

Applicable wire: AWG#24-#28



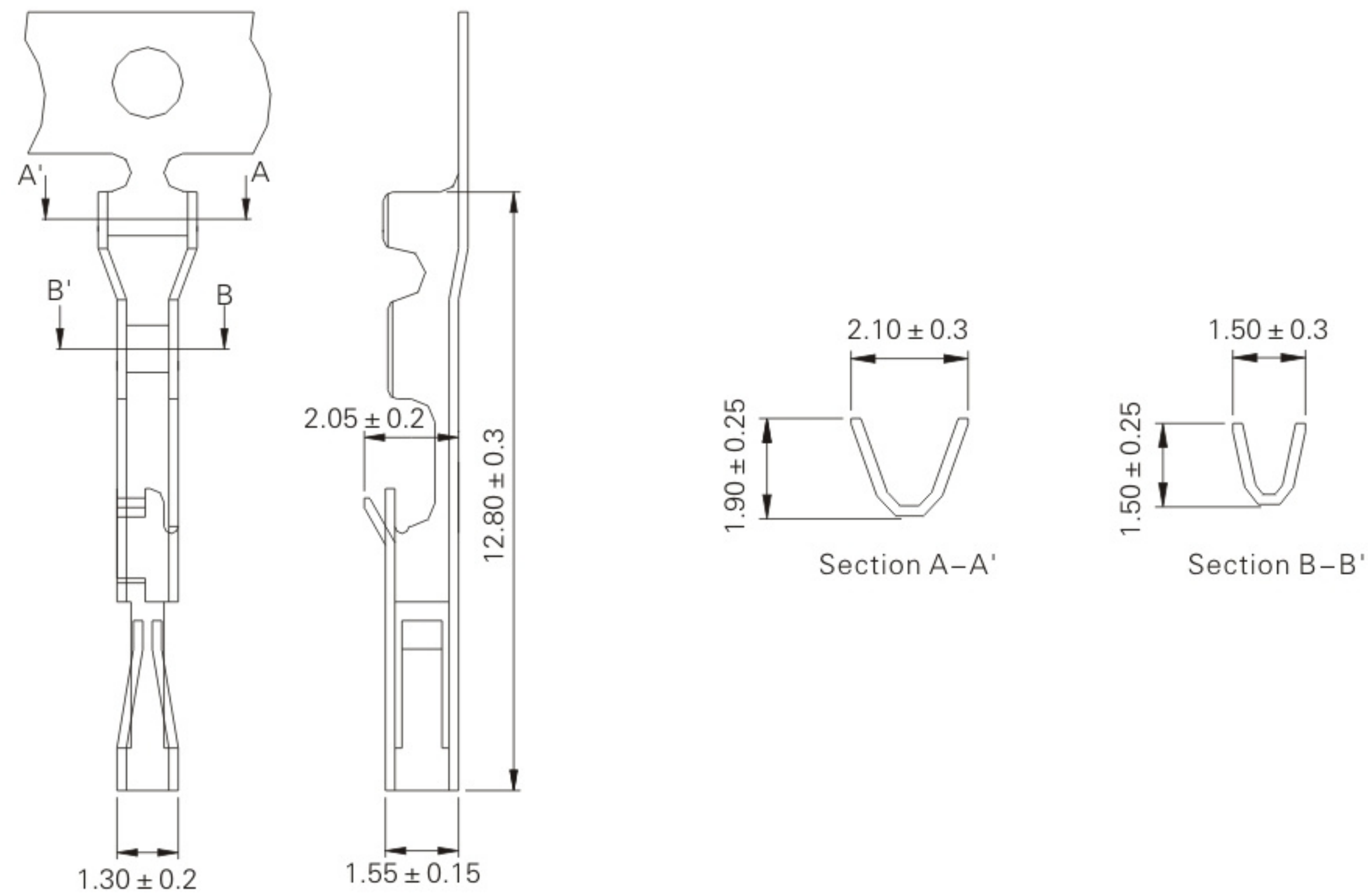
Assembly layout



2551-T (2.54mm pitch crimp terminal)

Reference Informations:

*Used in 2550H Series Housing



Ordering Information & Specifications

Unit: mm

Part No.	Wire Range	Insulation O.D.	Material	Finish	Qty/reel
2551P	AWG#24-#28	1.70mm(max)	Phosphor Bronze	Tin-plated or Gold-flash	15,000pcs

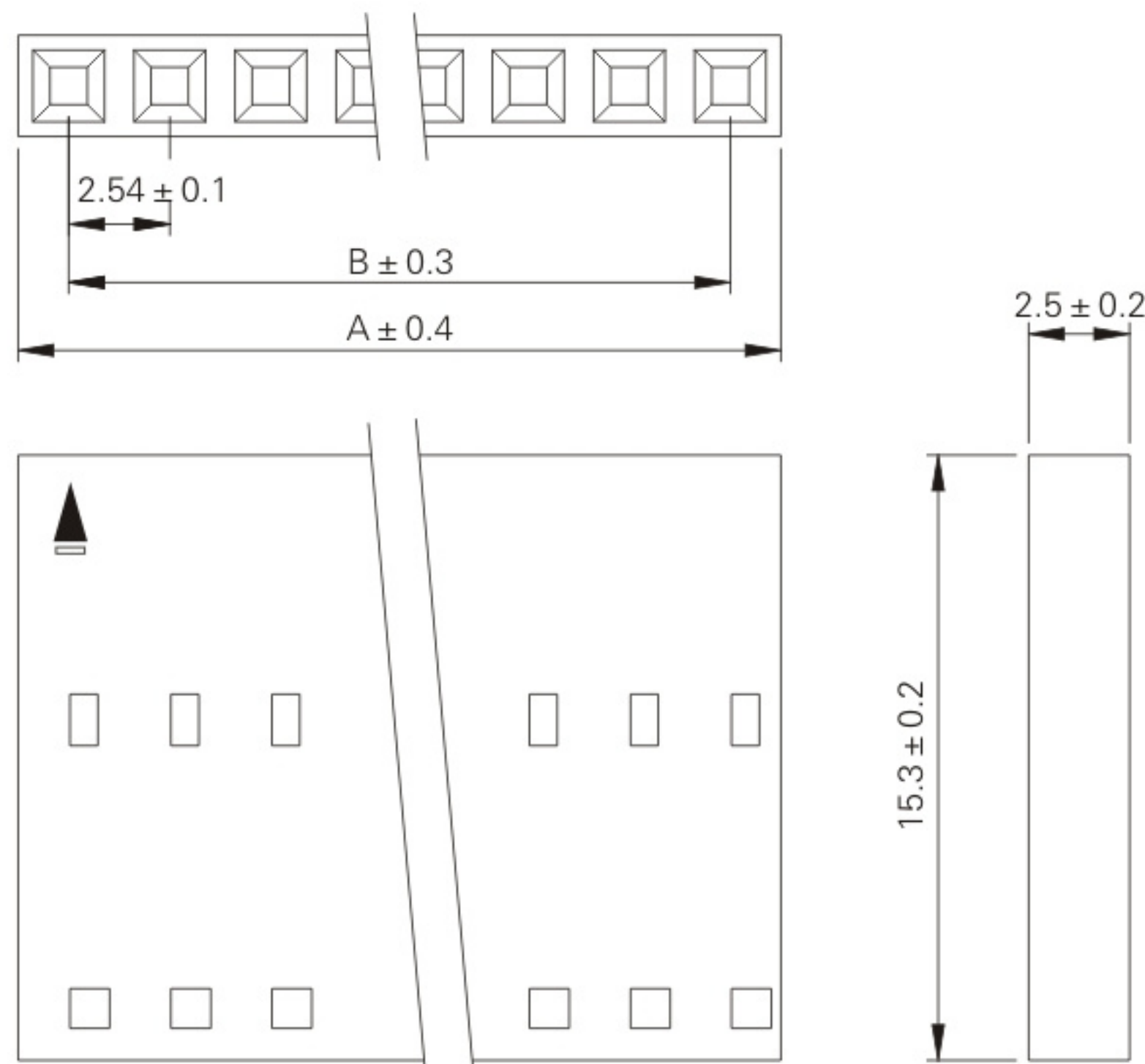
2550H-NP-E (2.54mm pitch crimp housing)

Reference Informations:

*Material:PBT,UL94V-0

*Suitable 2550-T series Terminal

*Mates with 2550PS & 2550PR series Wafer



Ordering Information & Dimensions

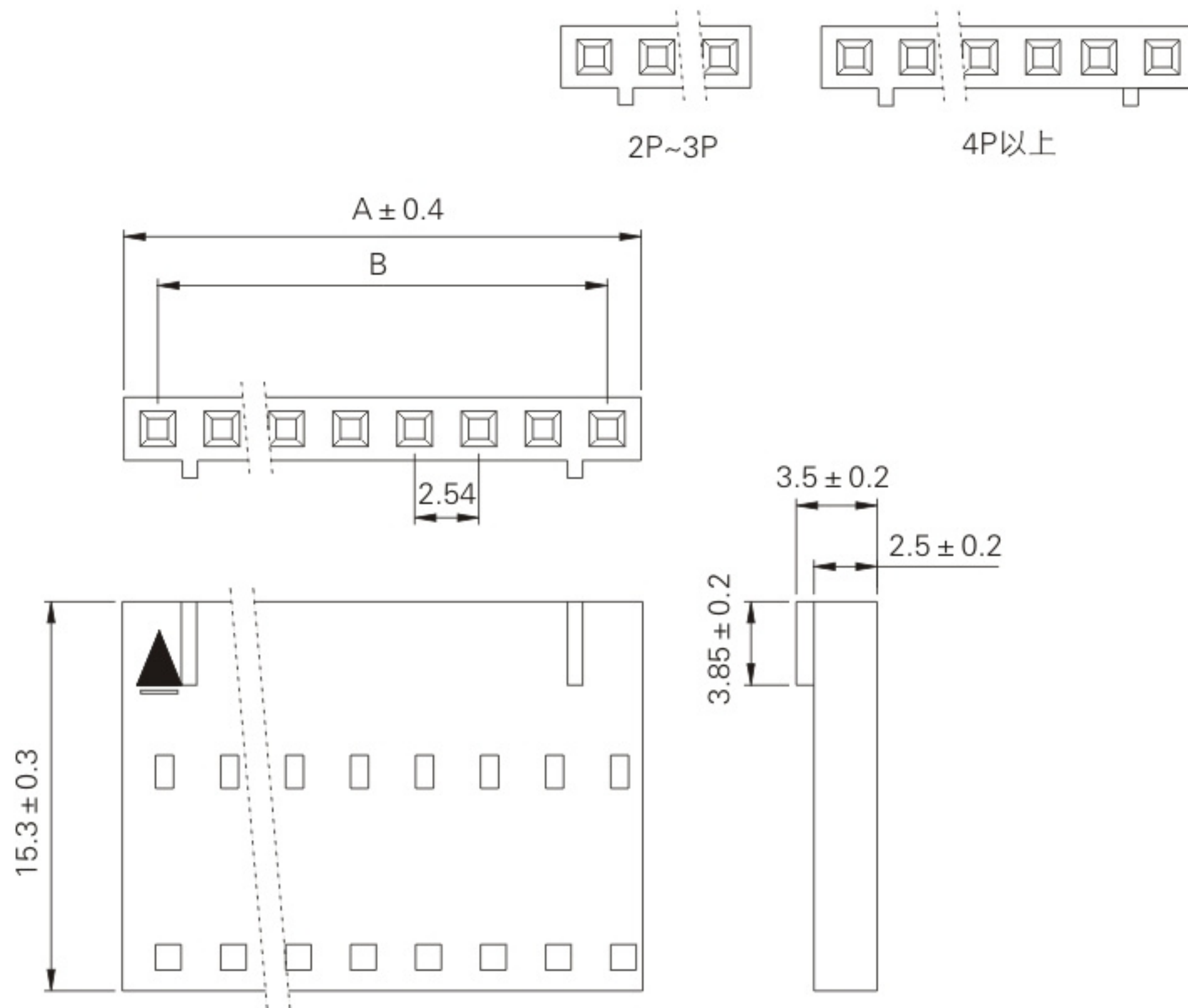
Circuits	Part No.	DIM.(mm)	
		A	B
02	2550H-02E	5.05	2.54
03	2550H-03E	7.59	5.08
04	2550H-04E	10.13	7.62
05	2550H-05E	12.67	10.16
06	2550H-06E	15.21	12.70
07	2550H-07E	17.75	15.24
08	2550H-08E	20.29	17.17
09	2550H-09E	22.83	20.32
10	2550H-10E	25.37	22.86
11	2550H-11E	27.91	25.40
12	2550H-12E	30.45	27.94
13	2550H-13E	32.99	30.48
14	2550H-14E	35.53	33.02
15	2550H-15E	38.07	35.56
16	2550H-16E	40.61	38.10
17	2550H-17E	43.15	40.64
18	2550H-18E	45.69	43.18
19	2550H-19E	48.23	45.72
20	2550H-20E	50.77	48.26
21	2550H-21E	53.31	50.80
22	2550H-22E	55.85	53.34
23	2550H-23E	58.39	55.88
24	2550H-24E	60.93	58.42
25	2550H-25E	63.47	60.96

2550H-NP-D (2.54mm pitch crimp housing)

Reference Informations:

*Material: PBT UL94V-0

*Mates with: 2551-T series Terminal



Ordering Information & Dimensions

Circuits	Part No.	DIM.(mm)	
		A	B
02	2550-02D	5.12	2.54
03	2550-03D	7.66	5.08
04	2550-04D	10.20	7.62
05	2550-05D	12.74	10.16
06	2550-06D	15.28	12.70
07	2550-07D	17.82	15.24
08	2550-08D	20.36	17.17
09	2550-09D	22.90	20.32
10	2550-10D	25.44	22.86
11	2550-11D	27.98	25.40
12	2550-12D	30.52	27.94
13	2550-13D	33.06	30.48
14	2550-14D	35.60	33.02
15	2550-15D	38.14	35.56
16	2550-16D	40.68	38.10
17	2550-17D	43.22	40.64
18	2550-18D	45.76	43.18
19	2550-19D	48.30	45.72
20	2550-20D	50.84	48.26
21	2550-21D	53.38	50.80
22	2550-22D	55.92	53.34
23	2550-23D	58.46	55.88
24	2550-24D	61.00	58.42
25	2550-25D	63.54	60.96

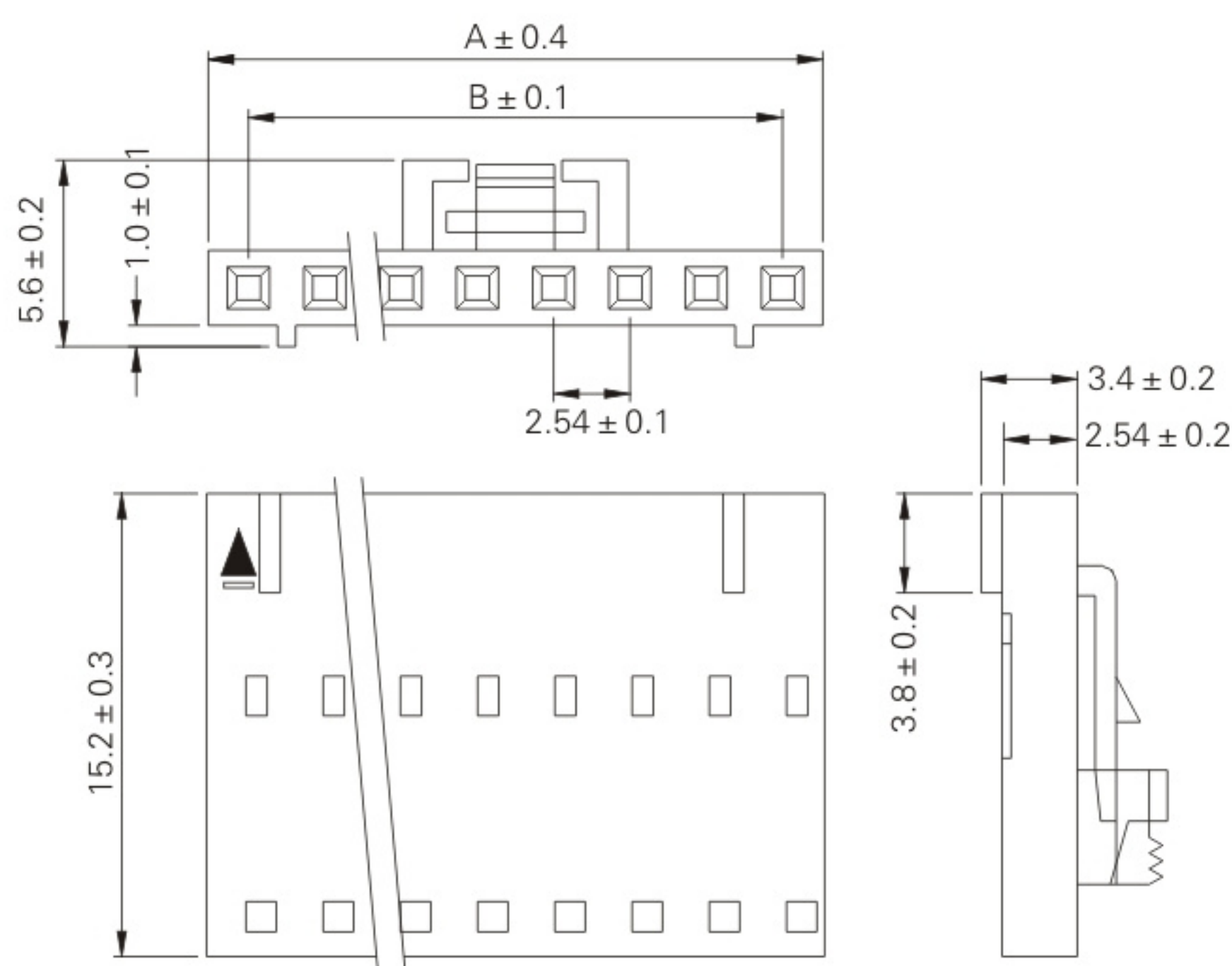
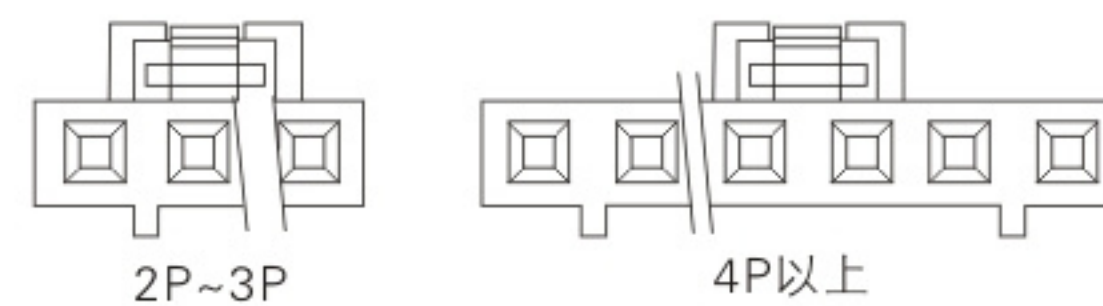
2550H-NP-K (2.54mm pitch crimp housing with lock)

Reference Informations:

*Mat'l: PBT UL94V-0

*Mates With 2551-T series Terminal

*Accepts With 2550PS 2550PR series Wafer



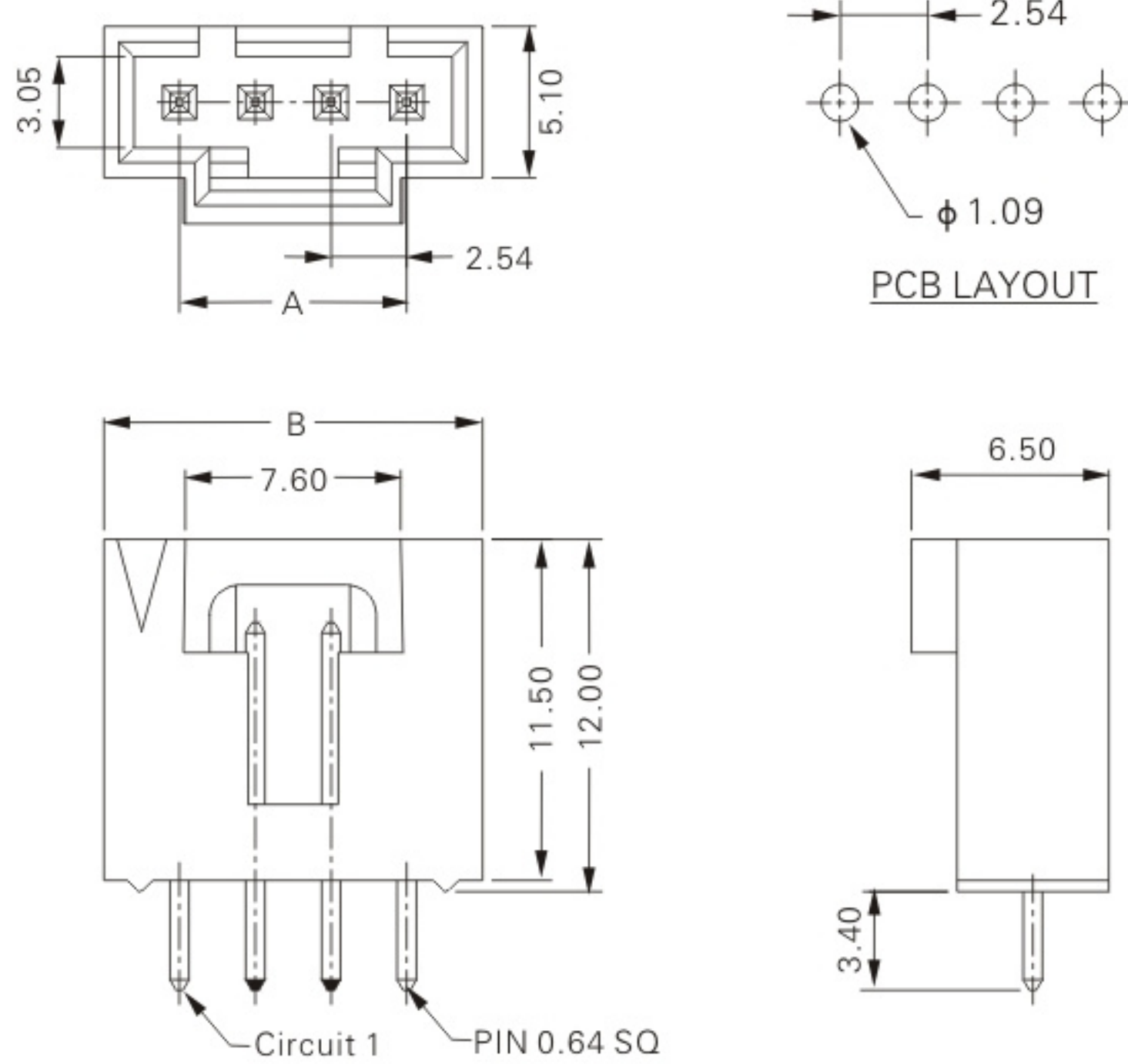
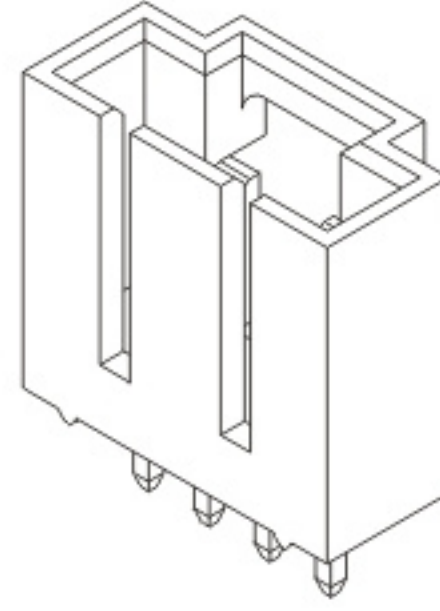
Ordering Information & Dimensions

Circuits	Part No.	DIM.(mm)	
		A	B
02	2550H-02K	5.18	2.54
03	2550H-03K	7.72	5.08
04	2550H-04K	10.26	7.62
05	2550H-05K	12.80	10.16
06	2550H-06K	15.34	12.70
07	2550H-07K	17.88	15.24
08	2550H-08K	20.42	17.17
09	2550H-09K	22.96	20.32
10	2550H-10K	25.50	22.86
11	2550H-11K	26.04	25.40
12	2550H-12K	30.58	27.94
13	2550H-13K	33.12	30.48
14	2550H-14K	35.66	33.02
15	2550H-15K	38.20	35.56
16	2550H-16K	40.74	38.10
17	2550H-17K	43.28	40.64
18	2550H-18K	45.82	43.18

2550PS-NP-K (2.54mm pitch 180° wafer)

Reference Informations:

- *Material: Pin: Brass/Gold-flash
Wafer: Nylon 66 UL94V-0
Nylon 9T UL94V-0
- *Mates with 2550H series Housing



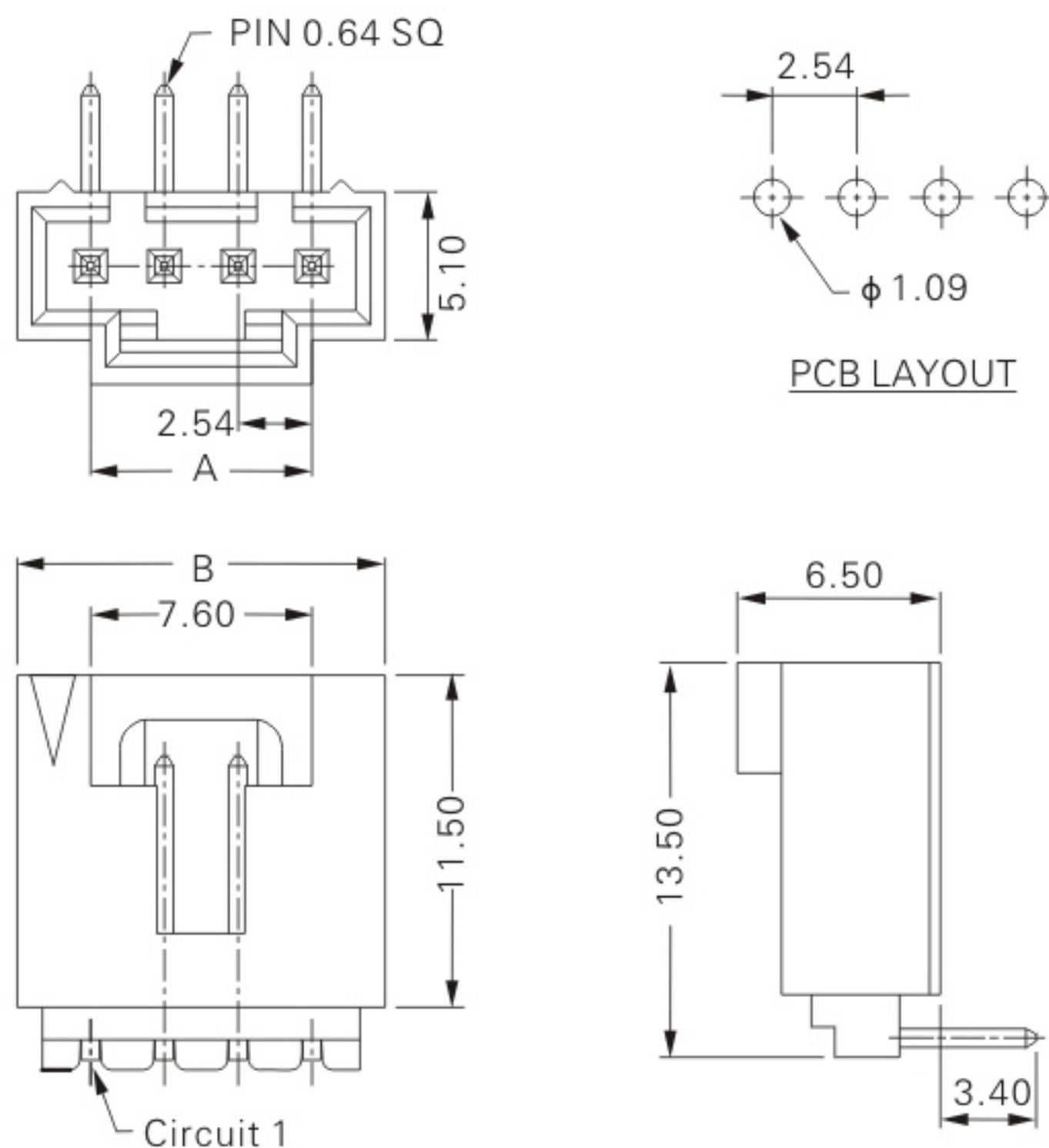
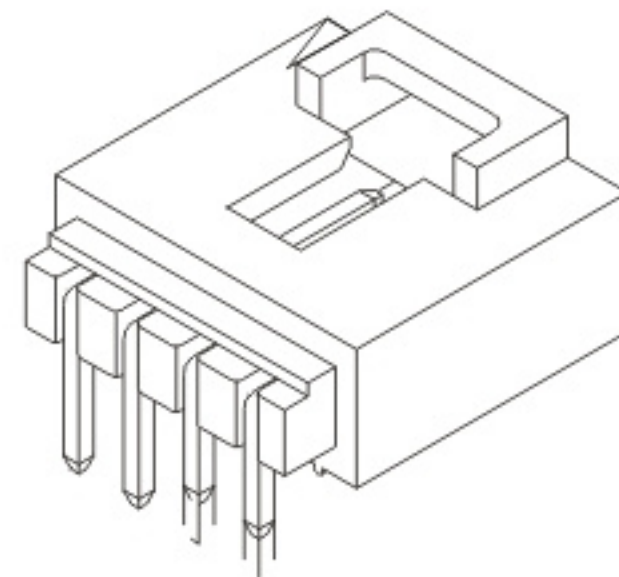
Ordering Information & Dimensions

Circuits	Part No.	DIM.(mm)	
		A	B
02	2550PS-02K	2.54	7.62
03	2550PS-03K	5.08	10.16
04	2550PS-04K	7.62	12.70
05	2550PS-05K	10.16	15.24
06	2550PS-06K	12.70	17.78
07	2550PS-07K	15.24	20.32
08	2550PS-08K	17.78	22.86
09	2550PS-09K	20.32	25.40
10	2550PS-10K	22.86	27.94
11	2550PS-11K	25.40	30.48
12	2550PS-12K	27.94	33.02
13	2550PS-13K	30.48	35.56
14	2550PS-14K	33.02	38.10
15	2550PS-15K	35.56	40.64
16	2550PS-16K	38.10	43.18
17	2550PS-17K	40.64	45.72
18	2550PS-18K	43.18	48.26

2550PR-NP-K (2.54mm pitch 90° wafer)

Reference Informations:

- *Material: Pin: Brass/Gold-flash
Wafer: Nylon 66 UL94V-0
Nylon 9T UL94V-0
- *Mates with 2550 series Housing



Ordering Information & Dimensions

Circuits	Part No.	DIM.(mm)	
		A	B
02	2550PR-02K	2.54	7.62
03	2550PR-03K	5.08	10.16
04	2550PR-04K	7.62	12.70
05	2550PR-05K	10.16	15.24
06	2550PR-06K	12.70	17.78
07	2550PR-07K	15.24	20.32
08	2550PR-08K	17.78	22.86
09	2550PR-09K	20.32	25.40
10	2550PR-10K	22.86	27.94
11	2550PR-11K	25.40	30.48
12	2550PR-12K	27.94	33.02
13	2550PR-13K	30.48	35.56
14	2550PR-14K	33.02	38.10
15	2550PR-15K	35.56	40.64
16	2550PR-16K	38.10	43.18
17	2550PR-17K	40.64	45.72
18	2550PR-18K	43.18	48.26